

Mini Horns Sirens Buzzer / Signal Horn 582

Signal horn WM Contin. tone 24VDC GY

Part No.: 582.052.55

**MECHANICAL DATA**

Height	172 mm
Diameter	70 mm
Materials	PC/ABS
Housing colour	Grey
Protection category	IP33
Connection	Screw terminals
cross-sectional area maximum	1,50mm ² / 16AWG
Cable entry	Through hole
Cable entry maximum	d = 9 mm
Type of fixing	Wall mounting
Service life optical	300 h minimum
Acoustic service life	300 h minimum
Working temperature minimum	-20°C
Working temperature maximum	+60°C
Weight with packaging	212 g
Product weight	179 g

ELECTRICAL DATA

Operating voltage	24V
Operating voltage type	DC
Operating voltage tolerance	+/- 10%
Rated operational voltage	24 VDC
Rated operational current	70 mA
Rated inrush current	<5A
Protection class	Protection class 3
Pollution degree	2
Request to external PSU	SELV/PELV

ACUSTICAL DATA

Volume/dB(max) at 1m distance	92,0 dB (A)
Acoustic signal image	Continuous tone
Audio frequency	500 Hz

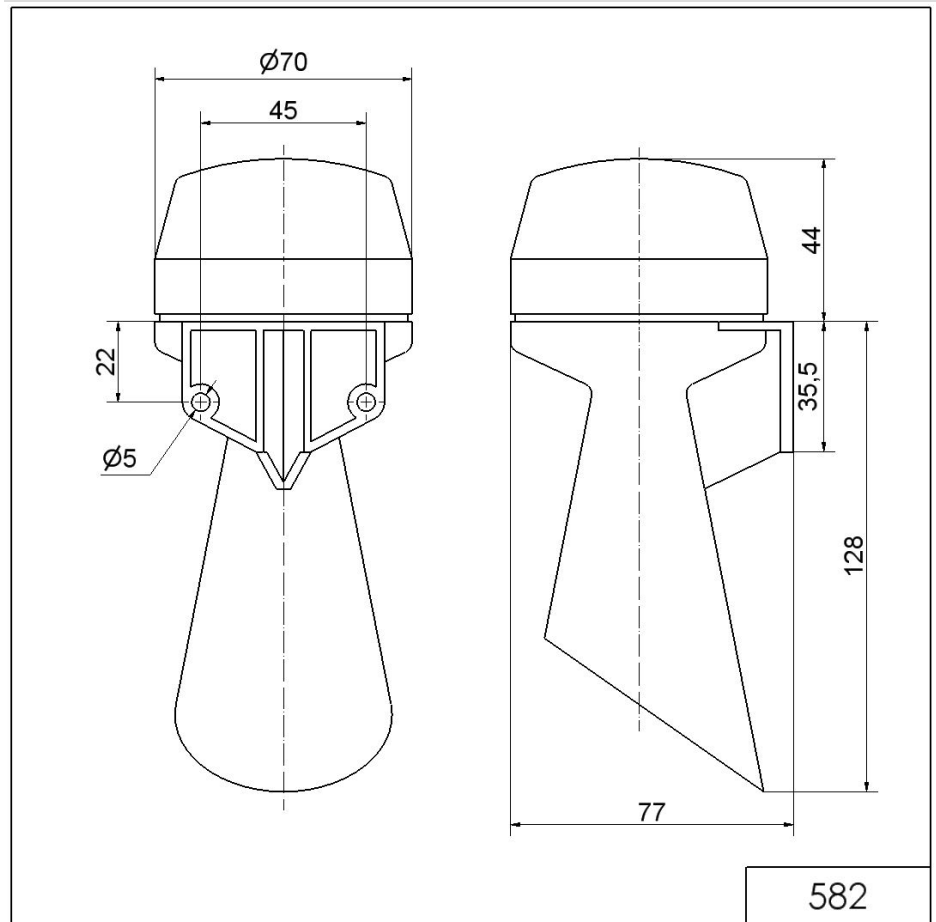


For additional installation and mounting information, refer to the appropriate user guide at www.werma.com. This printed copy is for information only and is subject to alteration.

Mini Horns Sirens Buzzer / Signal Horn 582

Signal horn WM Contin. tone 24VDC GY

DRAWING



For additional installation and mounting information, refer to the appropriate user guide at www.werma.com. This printed copy is for information only and is subject to alteration.