

KombiSIGN 71 / Audible Devices 645

**Vocal element 24VDC BK**

|                  |                     |
|------------------|---------------------|
| <b>Part No.:</b> | <b>645.860.55</b>   |
| <b>Series:</b>   | <b>KombiSIGN 71</b> |

**MECHANICAL DATA**

|                             |                 |
|-----------------------------|-----------------|
| Height                      | 118 mm          |
| Diameter                    | 125 mm          |
| Materials                   | PC<br>PC/ABS    |
| Housing colour              | Black           |
| Protection category         | IP65            |
| Service life optical        | 5,000 h minimum |
| Working temperature minimum | -20°C           |
| Working temperature maximum | +50°C           |
| Weight with packaging       | 753 g           |
| Product weight              | 668 g           |

**ELECTRICAL DATA**

|                             |                    |
|-----------------------------|--------------------|
| Operating voltage           | 24V                |
| Operating voltage type      | DC                 |
| Operating voltage tolerance | +/- 10%            |
| Rated operational voltage   | 24 VDC             |
| Rated operational current   | 400 mA             |
| Rated inrush current        | 400 mA             |
| Protection class            | Protection class 2 |
| Pollution degree            | 3                  |

**ACUSTICAL DATA**

|                               |               |
|-------------------------------|---------------|
| Volume/dB(max) at 1m distance | 102,0 dB (A)  |
| Volume adjustable             | Potentiometer |
| Volume adjustment range       | 15 - 100%     |

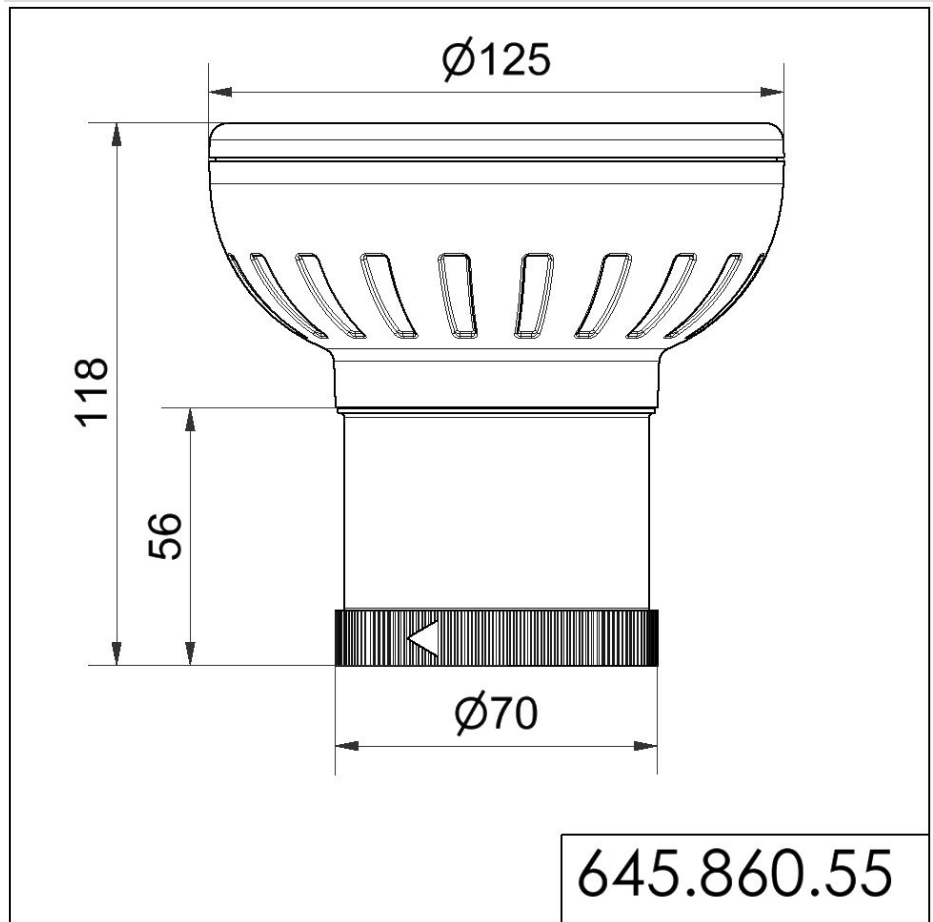


For additional installation and mounting information, refer to the appropriate user guide at [www.werma.com](http://www.werma.com). This printed copy is for information only and is subject to alteration.

KombiSIGN 71 / Audible Devices 645

**Vocal element 24VDC BK**

**DRAWING**



For additional installation and mounting information, refer to the appropriate user guide at [www.werma.com](http://www.werma.com). This printed copy is for information only and is subject to alteration.