

Mini installation beacon / Permanent Light 815
Permanent Beacon EM 12-230VAC/DC CL



Part No.: 815.400.00



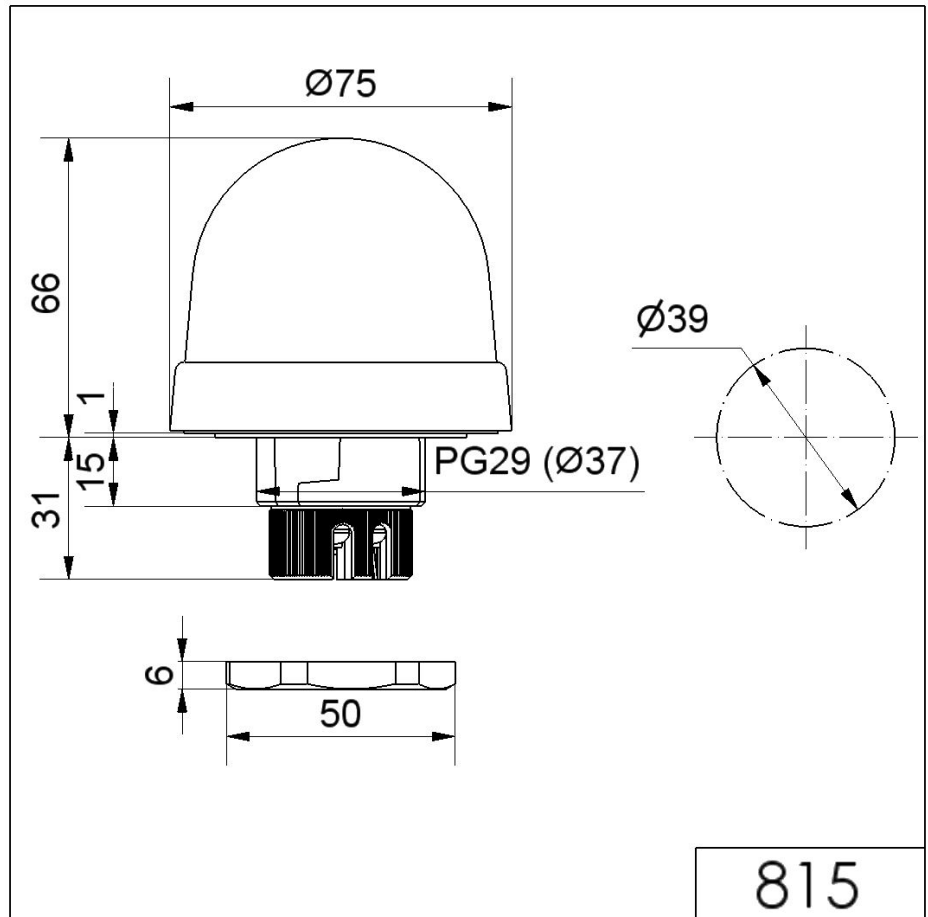
| MECHANICAL DATA | |
|------------------------------|--------------------------------|
| Height | 97 mm |
| Diameter | 75 mm |
| Materials | PA-GF PC PC/ABS |
| Dome colour | Clear |
| Protection category | IP65 |
| Connection | Screw terminals |
| cross-sectional area maximum | 1,50mm ² / 16AWG |
| Cable entry | Through hole |
| Cable entry maximum | d = 9 mm |
| Tension relief | Present (conforms to VDI) |
| Type of fixing | Built-in mounting |
| Service life optical | depends on bulb |
| Working temperature minimum | -20°C |
| Working temperature maximum | +60°C |
| UL Type Rating | Type 12 |
| Weight with packaging | 123 g |
| Product weight | 96 g |
| ELECTRICAL DATA | |
| Operating voltage | 12-230V |
| Operating voltage type | AC/DC |
| Protection class | Protection class 2 |
| Pollution degree | 3 In the connection area: 2 |
| Overvoltage category | II |
| Isolation voltage | Ui = 250V; Uimp = 2.500V |
| OPTICAL DATA | |
| Light colour | White |

! For additional installation and mounting information, refer to the appropriate user guide at www.werma.com. This printed copy is for information only and is subject to alteration.

Mini installation beacon / Permanent Light 815

Permanent Beacon EM 12-230VAC/DC CL

DRAWING



! For additional installation and mounting information, refer to the appropriate user guide at www.werma.com. This printed copy is for information only and is subject to alteration.