

Mini installation beacon / Permanent Light 815
Permanent Beacon EM 12-230VAC/DC BU



Part No.: 815.500.00



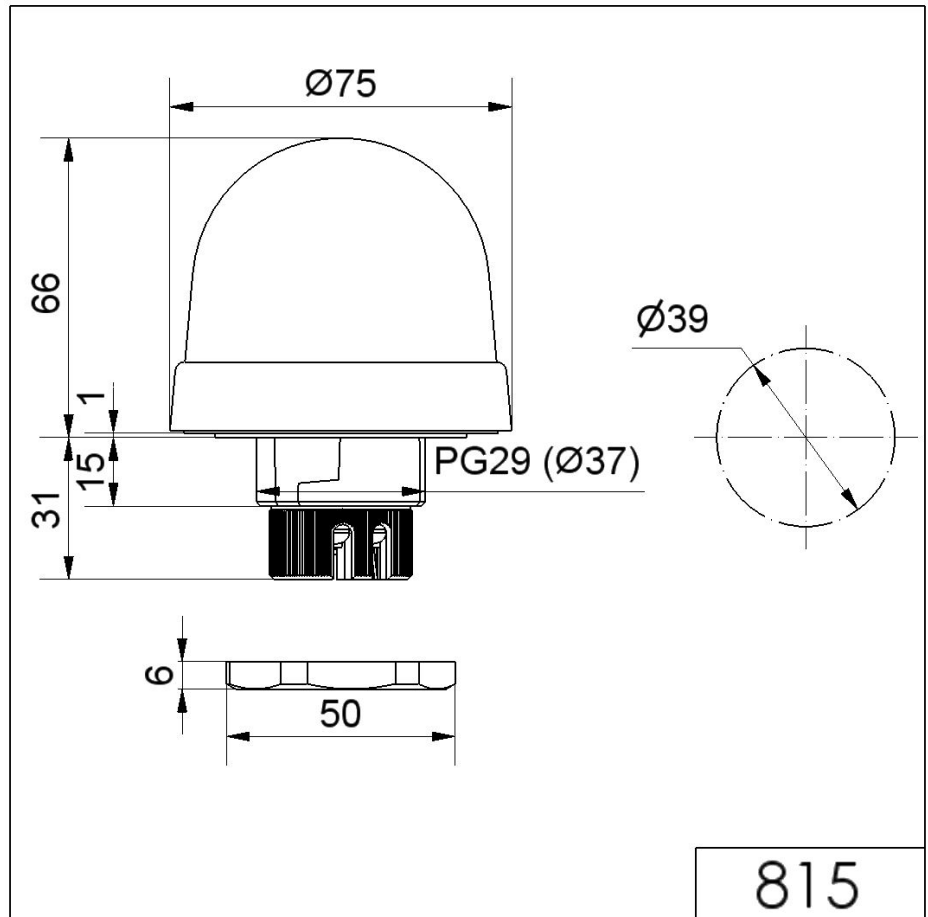
MECHANICAL DATA	
Height	97 mm
Diameter	75 mm
Materials	PA-GF PC PC/ABS
Dome colour	Blue
Protection category	IP65
Connection	Screw terminals
cross-sectional area maximum	1,50mm ² / 16AWG
Cable entry	Through hole
Cable entry maximum	d = 9 mm
Tension relief	Present (conforms to VDI)
Type of fixing	Built-in mounting
Service life optical	depends on bulb
Working temperature minimum	-20°C
Working temperature maximum	+60°C
UL Type Rating	Type 12
Weight with packaging	123 g
Product weight	96 g
ELECTRICAL DATA	
Operating voltage	12-230V
Operating voltage type	AC/DC
Protection class	Protection class 2
Pollution degree	3 In the connection area: 2
Overvoltage category	II
Isolation voltage	Ui = 250V; Uimp = 2.500V
OPTICAL DATA	
Light colour	Blue

! For additional installation and mounting information, refer to the appropriate user guide at www.werma.com. This printed copy is for information only and is subject to alteration.

Mini installation beacon / Permanent Light 815

Permanent Beacon EM 12-230VAC/DC BU

DRAWING



! For additional installation and mounting information, refer to the appropriate user guide at www.werma.com. This printed copy is for information only and is subject to alteration.