

Mini installation beacon / Flashing Light 817
Flashing Beacon EM 115VAC YE



Part No.: 817.300.67



| MECHANICAL DATA | |
|------------------------------|-----------------------------|
| Height | 97 mm |
| Diameter | 75 mm |
| Materials | PC PC/ABS |
| Dome colour | Yellow |
| Protection category | IP65 |
| Connection | Screw terminals |
| cross-sectional area maximum | 1,50mm ² / 16AWG |
| Cable entry | Through hole |
| Cable entry maximum | d = 9 mm |
| Tension relief | Present (conforms to VDI) |
| Type of fixing | Built-in mounting |
| Service life optical | 4 million flashes minimum |
| Working temperature minimum | -20°C |
| Working temperature maximum | +50°C |
| UL Type Rating | Type 12 |
| Weight with packaging | 140 g |
| Product weight | 115 g |

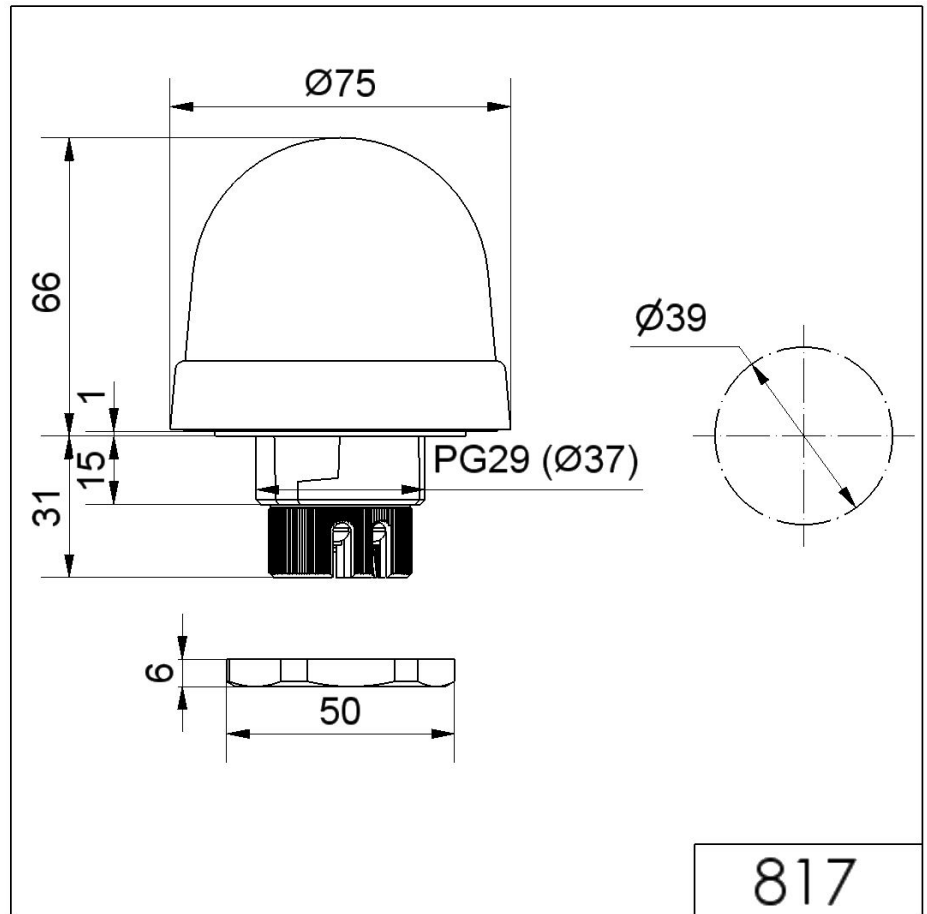
| ELECTRICAL DATA | |
|-----------------------------|--------------------------------|
| Operating voltage | 115V |
| Operating voltage type | AC |
| Operating voltage type | 60Hz |
| Operating voltage tolerance | +/- 10% |
| Rated operational voltage | 115 VAC |
| Rated operational current | 22 mA |
| Rated inrush current | 500 mA |
| Protection class | Protection class 2 |
| Pollution degree | 3 In the connection area: 2 |
| Overvoltage category | II |
| Isolation voltage | Ui = 250V; Uimp = 2.500V |

| OPTICAL DATA | |
|----------------------|--------|
| Light source | Xenon |
| Light colour | Yellow |
| Optical signal image | Flash |
| Flash frequency | 1 Hz |
| Flash output | 2 J |

! For additional installation and mounting information, refer to the appropriate user guide at www.werma.com. This printed copy is for information only and is subject to alteration.

Mini installation beacon / Flashing Light 817
Flashing Beacon EM 115VAC YE

DRAWING



! For additional installation and mounting information, refer to the appropriate user guide at www.werma.com. This printed copy is for information only and is subject to alteration.