

LED Beacon 801 / Accessories  
**Surface housing 1-fold GY**

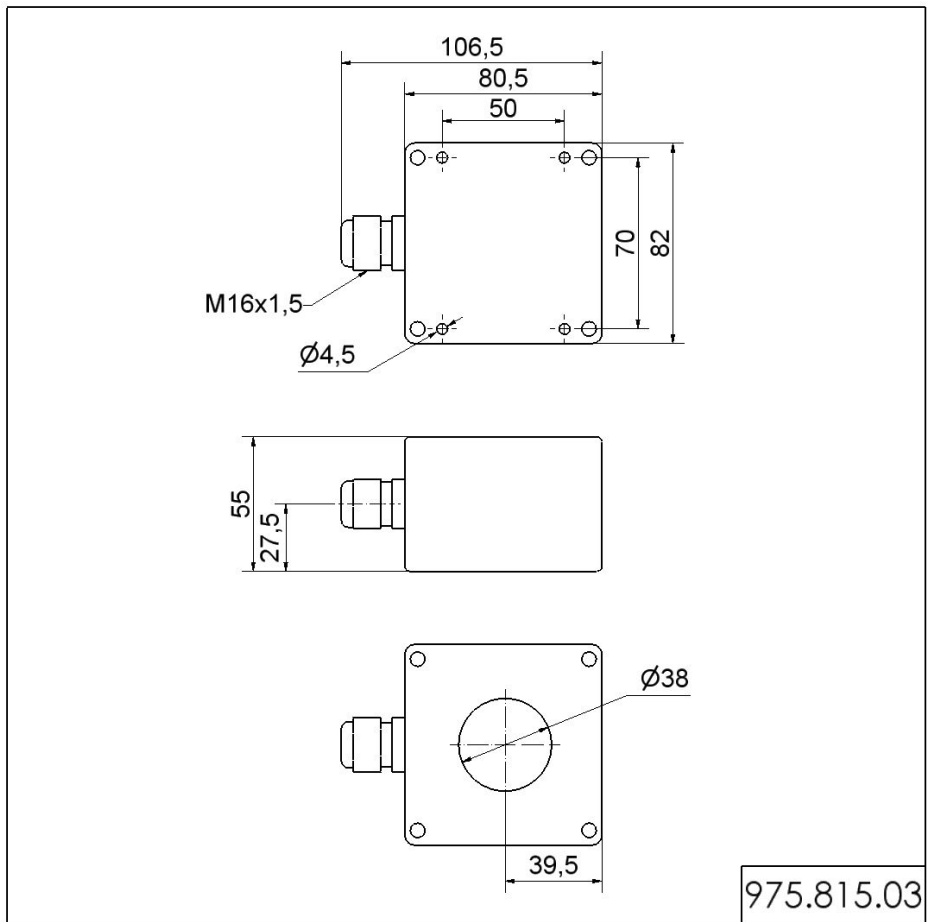


**Part No.:** 975.815.03

MECHANICAL DATA	
Length	107 mm
Width	82 mm
Height	55 mm
Materials	ABS
Housing colour	Grey
Protection category	IP65
Weight with packaging	135 g
Product weight	135 g

ELECTRICAL DATA	
Operating voltage type	AC

**DRAWING**



! For additional installation and mounting information, refer to the appropriate user guide at [www.werma.com](http://www.werma.com). This printed copy is for information only and is subject to alteration.