

LED Beacon 801 / Accessories  
**Surface housing 2-fold GY**



**Part No.:** 975.815.07

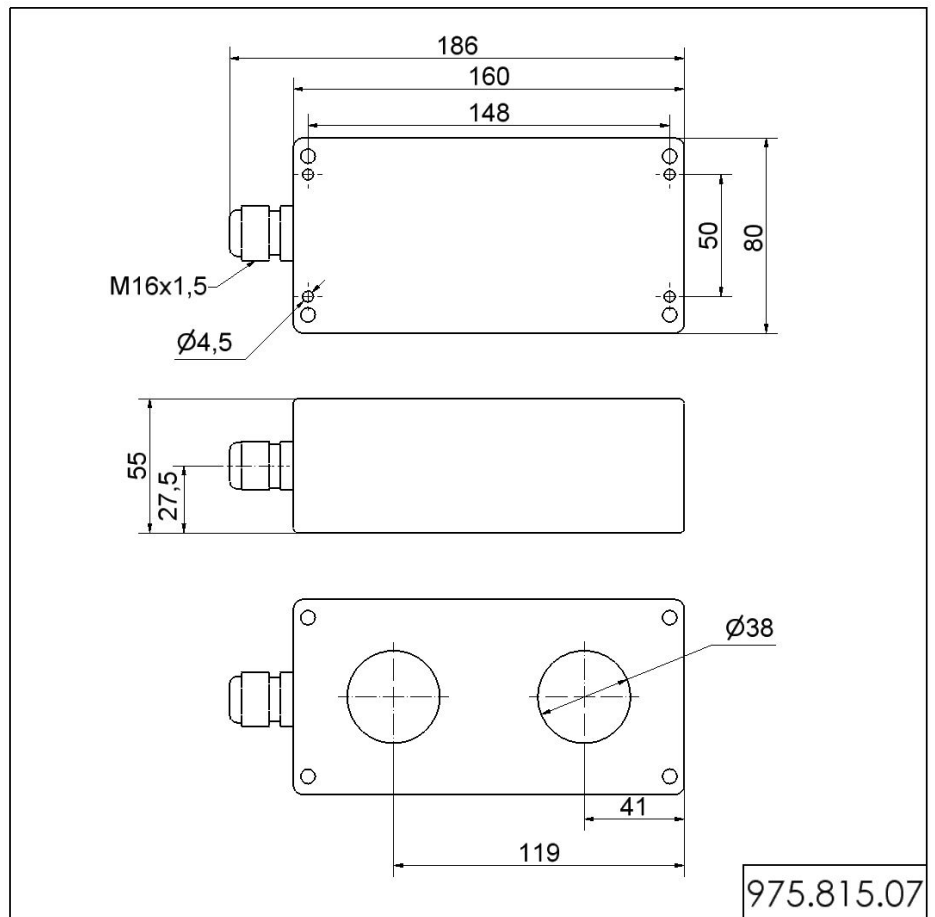
**MECHANICAL DATA**

Length	186 mm
Width	80 mm
Height	55 mm
Materials	ABS
Housing colour	Grey
Protection category	IP65
Weight with packaging	207 g
Product weight	207 g

**ELECTRICAL DATA**

Operating voltage type	AC
------------------------	----

**DRAWING**



! For additional installation and mounting information, refer to the appropriate user guide at [www.werma.com](http://www.werma.com). This printed copy is for information only and is subject to alteration.