

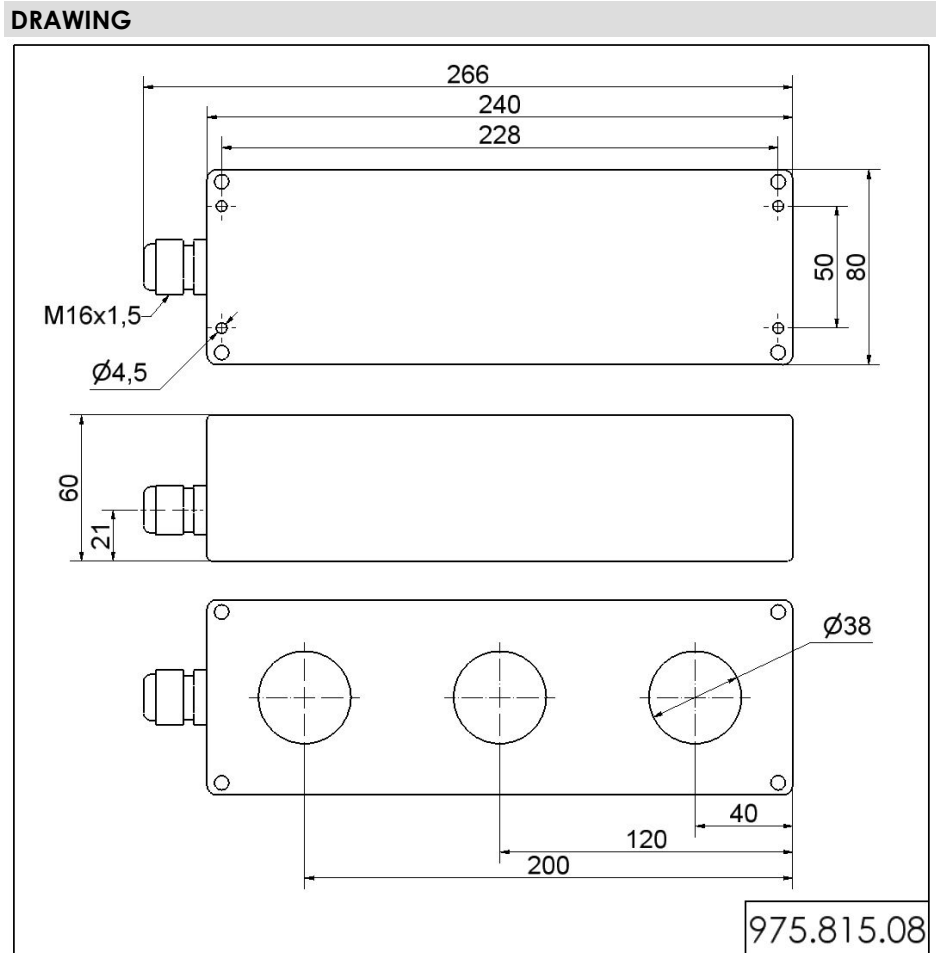
LED Beacon 801 / Accessories  
**Surface housing 3-fold GY**



**Part No.:** 975.815.08

MECHANICAL DATA	
Length	266 mm
Width	80 mm
Height	60 mm
Materials	ABS
Housing colour	Grey
Protection category	IP65
Weight with packaging	293 g
Product weight	293 g

ELECTRICAL DATA	
Operating voltage type	AC



**!** For additional installation and mounting information, refer to the appropriate user guide at [www.werma.com](http://www.werma.com). This printed copy is for information only and is subject to alteration.