

LED Beacon 801 / Accessories

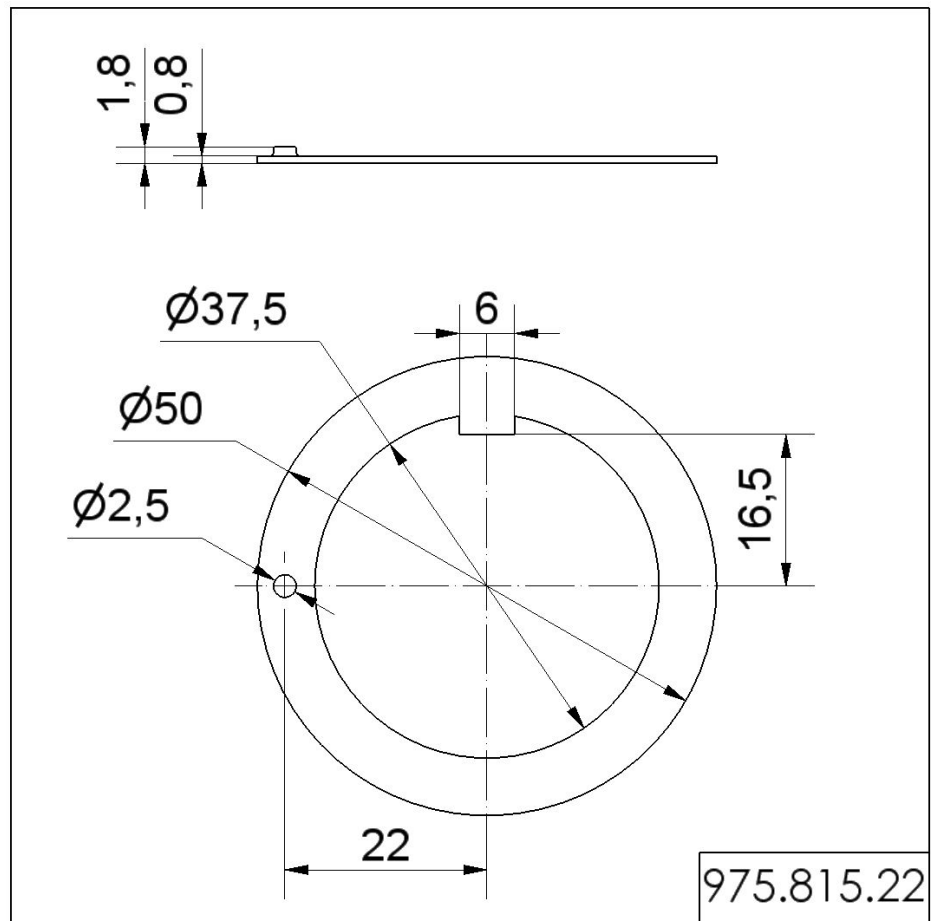
Anti-twist device SR



Part No.: 975.815.22

MECHANICAL DATA	
Height	2 mm
Diameter	50 mm
Materials	Stainless steel
Housing colour	Silver
Weight with packaging	10 g
Product weight	5 g

DRAWING



! For additional installation and mounting information, refer to the appropriate user guide at www.werma.com. This printed copy is for information only and is subject to alteration.