

Permanent Light 826 / Accessories  
**Bracket BK**

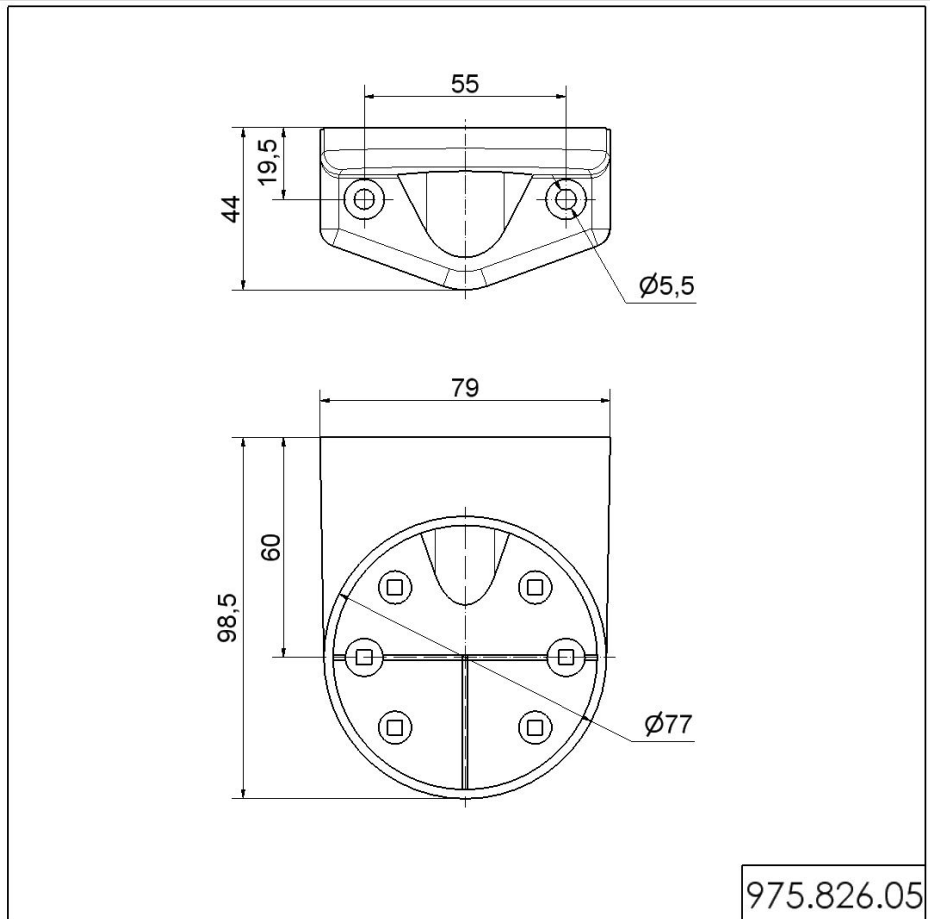


**Part No.:** 975.826.05

**MECHANICAL DATA**

Length	99 mm
Width	79 mm
Height	44 mm
Materials	PC/ABS
Housing colour	Black
Weight with packaging	62 g
Product weight	62 g

**DRAWING**



**!** For additional installation and mounting information, refer to the appropriate user guide at [www.werma.com](http://www.werma.com). This printed copy is for information only and is subject to alteration.