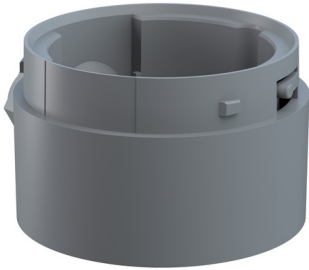


EvoSIGNAL / EvoSIGNAL Accessories

Midi Adaptor Cable Gland BM GY



Part No.: 261.700.02

RoHS

MECHANICAL DATA	
Height	53 mm
Diameter	85 mm
Materials	PC/ABS
Housing colour	Grey
Protection category	IP66
Cable entry	Screwed cable gland
Cable entry minimum	d = 8 mm
Cable entry maximum	d = 12 mm
Tension relief	Present (conforms to VDI)
Type of fixing	Base mounting
Working temperature minimum	-30°C
Working temperature maximum	+60°C
Weight with packaging	100 g
Product weight	100 g
ELECTRICAL DATA	
Pollution degree	3

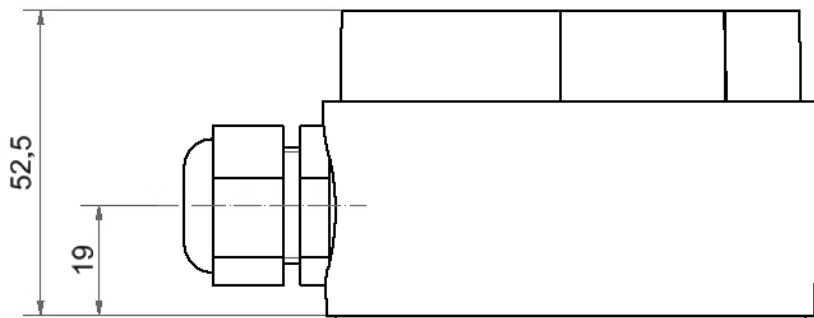
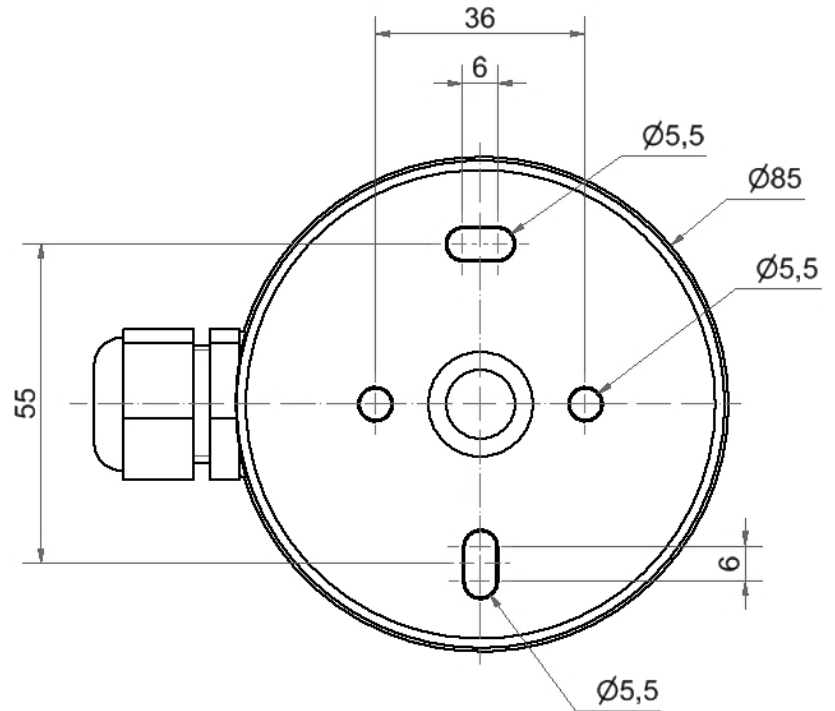


For additional installation and mounting information, refer to the appropriate user guide at www.werma.com. This printed copy is for information only and is subject to alteration.

EvoSIGNAL / EvoSIGNAL Accessories

Midi Adaptor Cable Gland BM GY

DRAWING



! For additional installation and mounting information, refer to the appropriate user guide at www.werma.com. This printed copy is for information only and is subject to alteration.