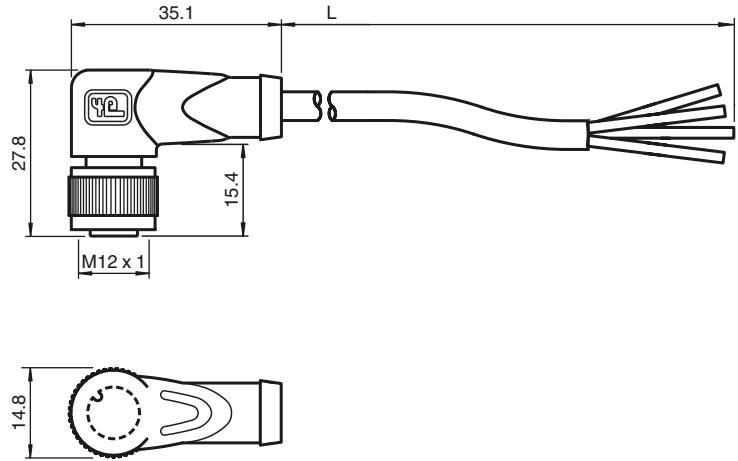


Dimensions



Model Number

V1-W-A2-10M-PUR

Cable socket, M12, LED, 4-pin, PUR cable

Features

- Built-in LED, as operating and function indicator
- Knurled nut suitable for tool assembly
- Immunity to vibration, with mechanical latching
- Gold plated contacts
- Degree of protection IP67 / IP68 / IP69K
- Halogen-free

Technical data

General specifications

Number of pins 4

Indicators/operating means

LED green Operating display
LED yellow Functional display NO contact

Electrical specifications

Operating voltage U_B max. 24 V DC \pm 15%
Operating current I_B max. 4 A
Contact resistance < 10 m Ω

Ambient conditions

Ambient temperature -25 ... 100 °C (-13 ... 212 °F)
for temperatures over 80 °C (176 °F) reduced elongation at tear
Pollution degree 3

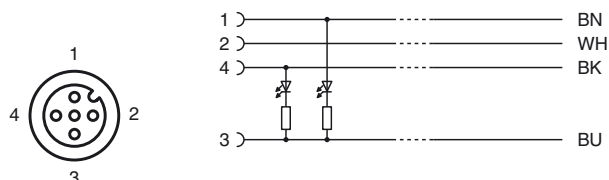
Mechanical specifications

Contact elements spring-loaded contact socket
Pin diameter 1 mm
Degree of protection IP67 / IP68 / IP69k
Material
Contacts CuSn / Au
Contact surface Au
Body TPU, transparent
Cable PUR
Slotted nut Diecast zinc
Core insulation PP
Cable fine-strand, flexible
Sheath diameter \varnothing 4.8 mm
Bending radius > 10 x cable diameter, moving
Color grey
Cores 4 x 0.34 mm²
Conductor construction 19 x 0.15 mm \varnothing
Length L 10 m
Flammability
Contact carrier 94 HB
Housing 94 V-2

Compliance with standards and directives

Standard conformity
Degree of protection EN 60529:2000
Standards IEC 61076-2-101:2008

Electrical connection



Release date: 2016-04-05 15:12 Date of issue: 2016-04-05 043419_eng.xml



SCATTERGOOD & JOHNSON LTD

ELECTRICAL ENGINEERING & FLUID CONTROL DISTRIBUTORS

Est.1899

At Scattergood & Johnson Ltd, we pride ourselves on being a technical distributor to specialist industries.

Working with a range of quality product suppliers across a number of specialist markets, we are not your average 'box shifter' - we are your technical and supply chain partner.

We fully support every product we sell - for free! Our internal team and external sales engineers can answer any product or application question, no matter the complexity.

Backing up this technical ability is a range of 50,000+ products available from stock for nationwide next day delivery (same day if required!), or you can collect what you need from any of our trade counters around the UK.

Select your specialist interest below to learn more about how we can help.



Online, In Branch and On the Road - Scattergood & Johnson Ltd, there when you need us.

www.scatts.co.uk