

Montageanleitung

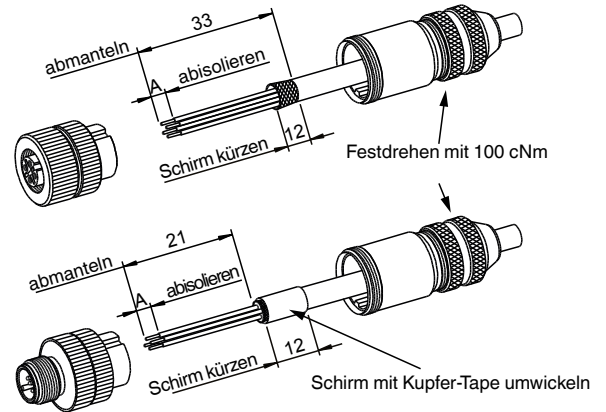
Schirmdurchmesser ≤ 5,5 mm

1. Gehäuse auf Kabel auffädeln.
2. Abmanteln, abisolieren, Schirm kürzen, Schirm über Kabelmantel legen und mit einem Kupfer-Tape umwickeln.
3. Litzen anschließen.
4. Gehäuse mit Stecker- bzw. Buchseneinsatz verschrauben und Druckschraube festdrehen.

Schirmdurchmesser > 5,5 mm

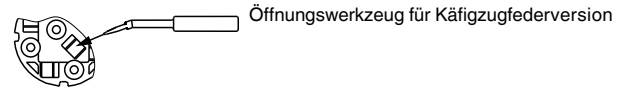
1. Gehäuse auf Kabel auffädeln.
2. Abmanteln, abisolieren, Schirm kürzen.
3. Litzen anschließen.
4. Gehäuse mit Stecker- bzw. Buchseneinsatz verschrauben und Druckschraube festdrehen.

Schirm Ø > 5,5 mm



Schirm Ø ≤ 5,5 mm

	Schraubklemmversion	Käfigzugfederversion
A	5	7



Mounting Instruction

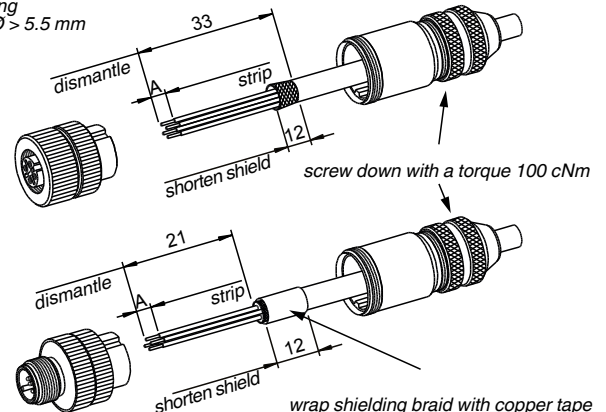
Shield-diameter ≤ 5.5 mm

1. Bead housing to cable.
2. Cut off cable coating, strip single cores, shorten shielding braid, put braid over cable coating and wrap it with copper tape.
3. Connect single wires.
4. Screw housing to male or female contact carrier and fix pressing screw.

Shield-diameter > 5.5 mm

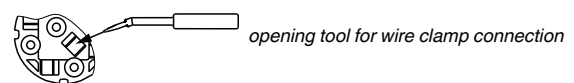
1. Bead housing to cable.
2. Cut off cable coating, strip single cores, shorten shielding braid.
3. Connect single wires.
4. Screw housing to male or female contact carrier and fix pressing screw

shielding braid Ø > 5.5 mm



shielding braid Ø ≤ 5.5 mm

	screw connection	wire clamp connection
A	5	7





SCATTERGOOD & JOHNSON LTD

ELECTRICAL ENGINEERING & FLUID CONTROL DISTRIBUTORS

Est.1899

At Scattergood & Johnson Ltd, we pride ourselves on being a technical distributor to specialist industries.

Working with a range of quality product suppliers across a number of specialist markets, we are not your average 'box shifter' - we are your technical and supply chain partner.

We fully support every product we sell - for free! Our internal team and external sales engineers can answer any product or application question, no matter the complexity.

Backing up this technical ability is a range of 50,000+ products available from stock for nationwide next day delivery (same day if required!), or you can collect what you need from any of our trade counters around the UK.

Select your specialist interest below to learn more about how we can help.



Online, In Branch and On the Road - Scattergood & Johnson Ltd, there when you need us.

www.scatts.co.uk