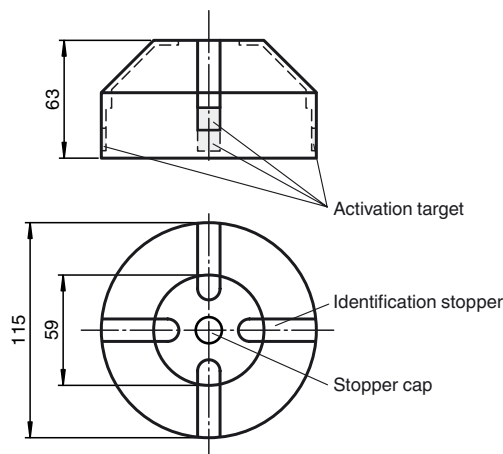




**Dimensions**



**Model Number**

**BT115A**

Activator for F31 series

**Features**

- For right and left rotating drives with 180° rotational motion
- Four fixed actuating lugs, offset by 90°

**Technical data**

**General specifications**

Ring diameter	≤ 110 mm
Spring ring height	≤ 7 mm

**Ambient conditions**

Ambient temperature	-25 ... 70 °C (-13 ... 158 °F)
---------------------	--------------------------------

**Mechanical specifications**

Shaft diameter	< 90 mm
Shaft height	30 mm and 50 mm
Mounting hole pattern	30 x 130 mm

**Material**

Housing	Mounting component: PA
Spacer disk	PA (2 units, 10 mm strong)
Stopper cap	PE (1 unit black)
Identification stopper	PA (2 units yellow, 2 units black)
Mounting screw	for activator: 1.4305 / AISI 303 (1 unit M6 x 25) for sensors - F31: 1.4305 / AISI 303 (4 items M5 x 16, (2 pieces M5 x 12)
Activation target	Stainless steel 1.4305 / AISI 303 (integrated)
Mass	120 g

**Note**

The activator consists of a conductive plastic material which prevents static charging and allows installation in potentially explosive environments.

Release date: 2016-06-10 18:11 Date of issue: 2016-06-10 269361\_eng.xml

Matching system components

NBN3-F31-E8-K

NBN3-F31-E8-K-K

NBN3-F31-E8-V1

NBN3-F31-E8-V16-V15

NBN3-F31-E8-V18

NBN3-F31K-E8

NBN3-F31K-E8-K

NBN3-F31K-E8-V1-V1

NBN3-F31K-Z8

NBN3-F31K-Z8-K

NBN3-F31K-Z8-V1-V1

NBN3-F31K2-E8-B13-S

NBN3-F31K2-E8-B33-S

NBN3-F31K2-E8-B43-S

NBN3-F31K2M-E8-B13-S

NBN3-F31K2M-E8-B23-S

NBN3-F31K2M-E8-B33-S

NBN3-F31K2M-E8-B43-S

NBN3-F31K2M-Z8L-B43-S

NBN3-F31K2M-Z8L-B13-S

NBN3-F31K2M-Z8L-B23-S

NBN3-F31K2M-Z8L-B33-S

NBN3-F31K2-Z8L-B13-S

NBN3-F31K2-Z8L-B33-S

NBN3-F31-U8-K

NBN3-F31-U8-V125

NBN3-F31-U8-V18

Release date: 2016-06-10 18:11 Date of issue: 2016-06-10 263361\_eng.xml

Refer to "General Notes Relating to Pepperl+Fuchs Product Information".

**Matching system components****NBN3-F31-Z8-K****NBN3-F31-Z8-K-K****NBN3-F31-Z8-V1****NBN3-F31-Z8-V16-V15****NBN3-F31-Z8-V16-V16****NBN3-F31-Z8-V18****NCN3-F31-B3B-V1**

Valve positioner and valve control module

**NCN3-F31-B3B-V1-K**

Valve positioner and valve control module

**NCN3-F31-B3B-V1-V1**

Valve positioner and valve control module

**NCN3-F31-B3-V1-K**

Valve positioner and valve control module

**NCN3-F31K-B3B-B31**

Valve positioner and valve control module

**NCN3-F31K-N4****NCN3-F31K-N4-B13-S****NCN3-F31K-N4-K****NCN3-F31K-N4-K-S****NCN3-F31K-N4-S****NCN3-F31K-N4-V1-V1****NCN3-F31K-N5-K****NCN3-F31-N4-K****NCN3-F31-N4-K-K****NCN3-F31-N4-V1****NCN3-F31-N4-V16-K****NCN3-F31-N4-V16-V16****NCN3-F31-N4-V18****NCN3-F31-N5-V18-V1**

Release date: 2016-06-10 18:11 Date of issue: 2016-06-10 269361\_eng.xml

Refer to "General Notes Relating to Pepperl+Fuchs Product Information".

Pepperl+Fuchs Group  
www.pepperl-fuchs.comUSA: +1 330 486 0001  
fa-info@us.pepperl-fuchs.comGermany: +49 621 776 4411  
fa-info@de.pepperl-fuchs.comSingapore: +65 6779 9091  
fa-info@sg.pepperl-fuchs.com



# SCATTERGOOD & JOHNSON LTD

ELECTRICAL ENGINEERING & FLUID CONTROL DISTRIBUTORS

Est.1899

At Scattergood & Johnson Ltd, we pride ourselves on being a technical distributor to specialist industries.

Working with a range of quality product suppliers across a number of specialist markets, we are not your average 'box shifter' - we are your technical and supply chain partner.

We fully support every product we sell - for free! Our internal team and external sales engineers can answer any product or application question, no matter the complexity.

Backing up this technical ability is a range of 50,000+ products available from stock for nationwide next day delivery (same day if required!), or you can collect what you need from any of our trade counters around the UK.

Select your specialist interest below to learn more about how we can help.



Online, In Branch and On the Road - Scattergood & Johnson Ltd, there when you need us.

# [www.scatts.co.uk](http://www.scatts.co.uk)