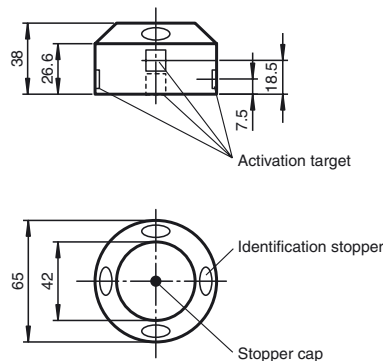




Dimensions



Model Number

BT65A
 Activator for F31 series

Features

- Four fixed actuating lugs, offset by 90°
- For right and left rotating drives with 180° rotational motion

Matching system components

MH-BT-F05-M5
 Adjustable assembly set for size F05 manual operated valves according to ISO5211-DIN3337

MH-BT-F04-M5
 Adjustable assembly set for size F04 manual operated valves according to ISO5211-DIN3337

MH-BT-F05-M6
 Adjustable assembly set for size F05 manual operated valves according to ISO5211-DIN3337

MH-BT-F07-M5
 Adjustable assembly set for size F07 manual operated valves according to ISO5211-DIN3337

MH-BT-F04-M6
 Adjustable assembly set for size F04 manual operated valves according to ISO5211-DIN3337

MH-BT-F10-M8
 Adjustable assembly set for size F10 manual operated valves according to ISO5211-DIN3337

MH-BT-F03-M5
 Adjustable assembly set for size F03 manual operated valves according to ISO5211-DIN3337

Technical data

General specifications	
Ring diameter	≤ 65 mm
Spring ring height	≤ 6 mm
Ambient conditions	
Ambient temperature	-25 ... 70 °C (-13 ... 158 °F)
Mechanical specifications	
Shaft diameter	< 58 mm
Shaft height	20 mm and 30 mm
Mounting hole pattern	30 x 80 mm
Material	
Housing	PA
Spacer disk	PA (1 unit, 10 mm strong)
Stopper cap	PBT (1 unit black)
Identification stopper	PP (2 units yellow, 2 units black)
Mounting screw	for activator: 1.4305 / AISI 303 (1 unit M6 x 25) for sensors - F31: 1.4305 / AISI 303 (4 items M5 x 16, (2 pieces M5 x 12)
Activation target	Stainless steel 1.4305 / AISI 303 (integrated)

Note

The activator consists of a conductive plastic material which prevents static charging and allows installation in potentially explosive environments.

Release date: 2016-06-10 18:11 Date of issue: 2016-06-10 11:41:05_eng.xml



SCATTERGOOD & JOHNSON LTD

ELECTRICAL ENGINEERING & FLUID CONTROL DISTRIBUTORS

Est.1899

At Scattergood & Johnson Ltd, we pride ourselves on being a technical distributor to specialist industries.

Working with a range of quality product suppliers across a number of specialist markets, we are not your average 'box shifter' - we are your technical and supply chain partner.

We fully support every product we sell - for free! Our internal team and external sales engineers can answer any product or application question, no matter the complexity.

Backing up this technical ability is a range of 50,000+ products available from stock for nationwide next day delivery (same day if required!), or you can collect what you need from any of our trade counters around the UK.

Select your specialist interest below to learn more about how we can help.



Online, In Branch and On the Road - Scattergood & Johnson Ltd, there when you need us.

www.scatts.co.uk