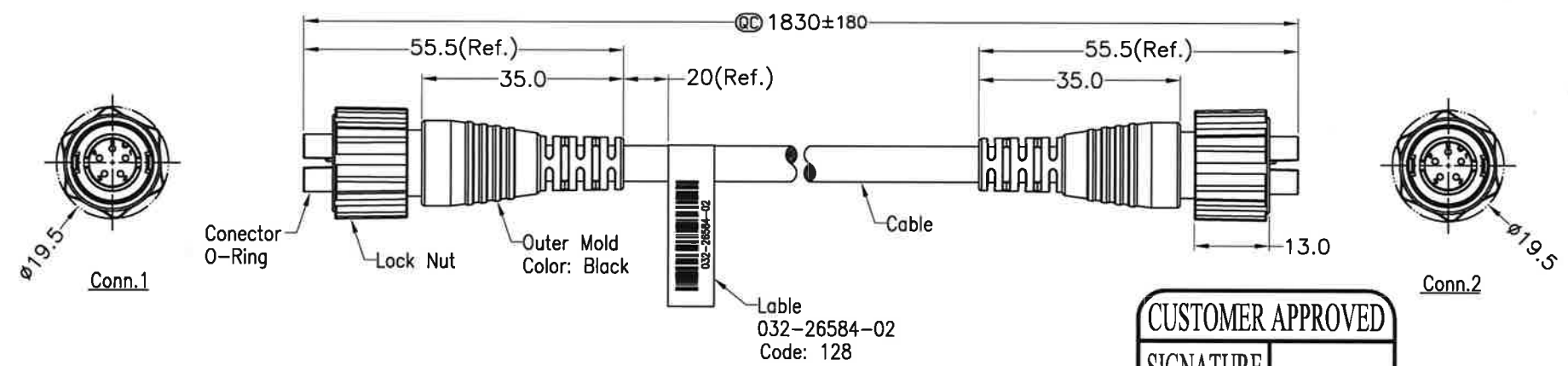
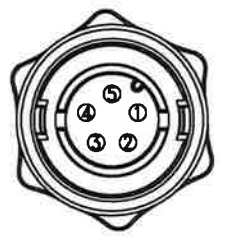
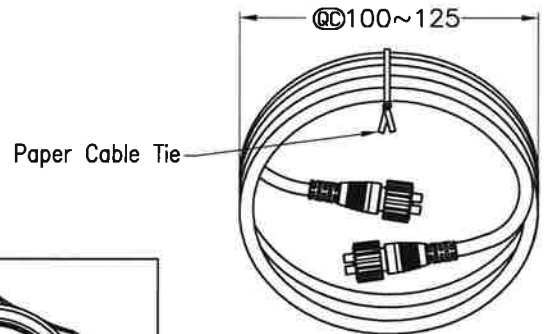


1	2	3	4	5	6	7	8
REV.	ECN NO.	DATE	SIGN	DESCRIPTION			

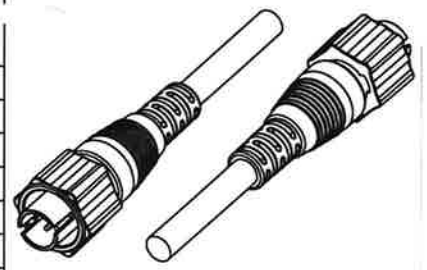


The Whole Cable Should Be Wrapped With Paper Cable Tie



Conn.1 & Conn.2
Pin Assignments Front View

5	Drain	地線	5
4	Blue	藍	4
3	Blue/White	藍/白	3
2	Orange	橘	2
1	Orange/White	橘/白	1
Conn.1	Wire Color		Conn.2
	Pin Out		



CUSTOMER APPROVED	
SIGNATURE	
DATE	

Note:

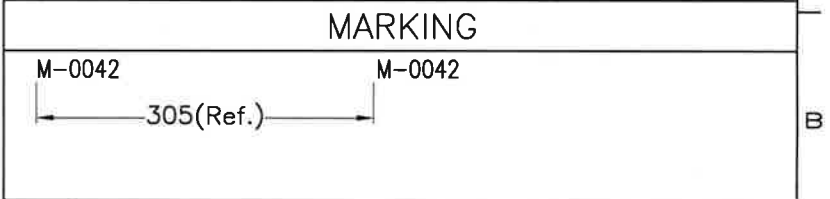
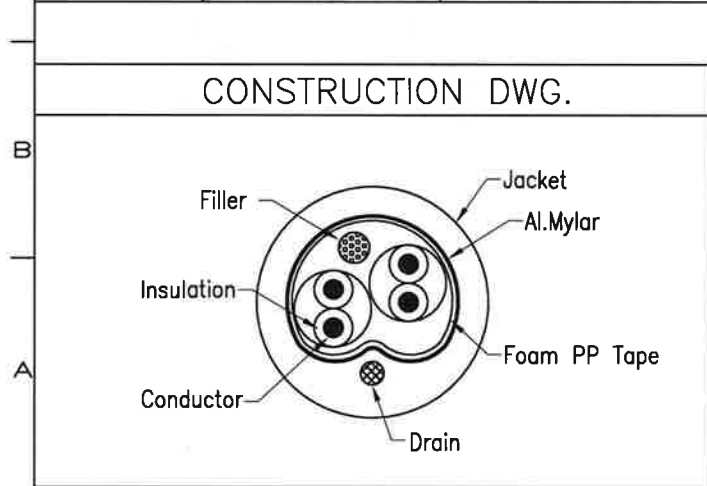
- Material:
 - Connector: Nylon+GF, Yellow UV Resistance
 - Lock Nut: Nylon+GF, Yellow UV Resistance
 - Pin: Copper Alloy, 30u" Gold Plated Or Customer Approved
 - Crimp Pin Test: Go 0.35mm, No-Go 0.38mm
 - O-Ring: Silicone, Red
 - Outer Mold: Hytrel 4069, Black (Hardness 40D)
- Cable:
 - 24AWG*2P+Buffer+Al.Mylar+Drain
 - PVC Jacket. Black. UV Resistance. OD=ϕ6.2mm

SPECIFICATION: 24AWG*2P+PP Tape+Al.Mylar+Drain	REV.	ECN NO.	DATE	SIGN	DESCRIPTION

ITEM	SPECIFICATION	COLOR CODE
Conductor	AWG	24AWG
	Material	Bare Copper Solid
	Cond.Size	1/0.511±0.008mm
	O.D.(Ref.)	0.511mm
Insulation	Min.Avg.Thick	0.23mm
	Min.Thick.At any Point	0.18mm
	Material	HDPE
	O.D.	0.98±0.08mm
Twisted	No.	2P
Cabling	O.D.	1.96mm
	Filler	PP Rope
	Material	Foam PP Tape
Drain	Material	Al-Mylar (Foil Facing Out) 25% Min. Overlap
	Material	Tinned Copper Solid
Jacket	Size	1/0.511±0.008mm
	Min.Avg.Thick	1.00mm
	Min.Thick.At any Point	0.80mm
	Material	PVC(UV&Oil Resistance)
	Color	Black
	O.D.	6.20±0.20mm

- PHYSICAL PROPERTIES OF JACKET**
1. Rating Temp: -20°C~+80°C
 2. Aged Condition: 113±1°C*168h
 3. Tensile strength: Unaged: 10.3MPa Min. ; Aged: 70% Min.
 4. Elongation: Unaged: 100% Min. ; Aged: 65% Min.
 5. Heat Shock Test: No Cracking
 6. Cold Bend Test: No Cracking
 7. Deformation Test: 50% Max.
 8. Min. Bending Radius: 8*OD

- ELECTRICAL CHARACTERISTICS**
1. Rating Voltage: 30V
 2. DC Conductor Resistance: at 20°C Max.
24AWG: 28.6 Ω/1000ft
 3. DC Conductor Resistance Unbalance: 5% Max.
 4. Time Delay: 1.74ns/ft max@10MHz
 5. Pair-to-ground Capacitance: 1000pF/1000ft



(CUSTOMER APPROVED)

SIGNATURE	
DATE	



SCATTERGOOD & JOHNSON LTD

ELECTRICAL ENGINEERING & FLUID CONTROL DISTRIBUTORS

Est.1899

At Scattergood & Johnson Ltd, we pride ourselves on being a technical distributor to specialist industries.

Working with a range of quality product suppliers across a number of specialist markets, we are not your average 'box shifter' - we are your technical and supply chain partner.

We fully support every product we sell - for free! Our internal team and external sales engineers can answer any product or application question, no matter the complexity.

Backing up this technical ability is a range of 50,000+ products available from stock for nationwide next day delivery (same day if required!), or you can collect what you need from any of our trade counters around the UK.

Select your specialist interest below to learn more about how we can help.



Online, In Branch and On the Road - Scattergood & Johnson Ltd, there when you need us.

www.scatts.co.uk