



### Model Number

**NXN25-30GM50-E2-V1**

### Features

- 25 mm non-flush

### Accessories

#### BF 30

Mounting flange, 30 mm

#### V1-G

Female connector, M12, 4-pin, field attachable

#### V1-G-2M-PUR

Female cordset, M12, 4-pin, PUR cable

#### V1-W

Female connector, M12, 4-pin, field attachable

#### V1-W-2M-PUR

Female cordset, M12, 4-pin, PUR cable

## Technical Data

### General specifications

Switching function	Normally open (NO)
Output type	PNP
Rated operating distance	$s_n$ 25 mm
Installation	non-flush
Output polarity	DC
Assured operating distance	$s_a$ 0 ... 20.25 mm (-25 ... 70 °C (-13 ... 158 °F)) 0 ... 19 mm (-40 ... -25 °C (-40 ... -13 °F))
Reduction factor $r_{Al}$	0.5
Reduction factor $r_{Cu}$	0.4
Reduction factor $r_{304}$	0.8
Output type	3-wire

### Nominal ratings

Operating voltage	$U_B$ 10 ... 30 V
Switching frequency	$f$ 0 ... 100 Hz
Hysteresis	$H$ typ. 5%
Reverse polarity protection	reverse polarity protected
Short-circuit protection	pulsing
Voltage drop	$U_d$ $\leq$ 3 V
Operating current	$I_L$ 0 ... 100 mA
Off-state current	$I_r$ $\leq$ 10 $\mu$ A
No-load supply current	$I_0$ $\leq$ 10 mA
Switching state indicator	Multihole-LED, yellow

### Ambient conditions

Ambient temperature	-25 ... 70 °C (-13 ... 158 °F)
---------------------	--------------------------------

### Mechanical specifications

Connection type	Connector M12 x 1, 4-pin
Housing material	brass, nickel-plated
Sensing face	PBT
Degree of protection	IP67

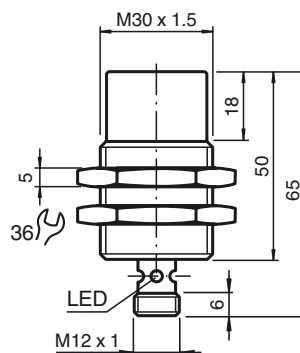
### General information

Scope of delivery	2 hex nuts included
-------------------	---------------------

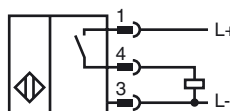
### Compliance with standards and directives

Standard conformity	
Standards	EN 60947-5-2:2007 EN 60947-5-2/A1:2012 IEC 60947-5-2:2007 IEC 60947-5-2 AMD 1:2012

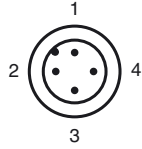
## Dimensions



## Electrical Connection



Pinout



Wire colors in accordance with EN 60947-5-2

1	BN	(brown)
2	WH	(white)
3	BU	(blue)
4	BK	(black)



# SCATTERGOOD & JOHNSON LTD

ELECTRICAL ENGINEERING & FLUID CONTROL DISTRIBUTORS

Est.1899

At Scattergood & Johnson Ltd, we pride ourselves on being a technical distributor to specialist industries.

Working with a range of quality product suppliers across a number of specialist markets, we are not your average 'box shifter' - we are your technical and supply chain partner.

We fully support every product we sell - for free! Our internal team and external sales engineers can answer any product or application question, no matter the complexity.

Backing up this technical ability is a range of 50,000+ products available from stock for nationwide next day delivery (same day if required!), or you can collect what you need from any of our trade counters around the UK.

Select your specialist interest below to learn more about how we can help.



Online, In Branch and On the Road - Scattergood & Johnson Ltd, there when you need us.

# [www.scatts.co.uk](http://www.scatts.co.uk)