



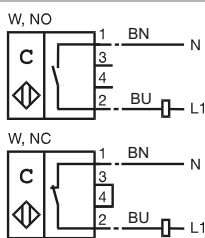
Model Number

CJ15+U1+W

Features

- Comfort series
- 15 mm embeddable
- The switching distance can be set over a wide range with the potentiometer

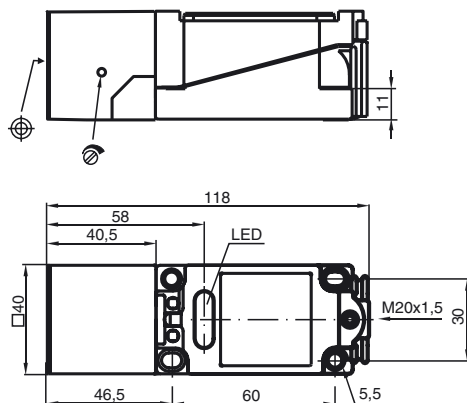
Connection



Accessories

MHW 01
Mounting aid

Dimensions



Technical Data

General specifications

Switching element function	ACMake/Break function
Rated operating distance	s_n 15 mm
Installation	embeddable
Output polarity	AC
Assured operating distance	s_a 0 ... 10.8 mm

Nominal ratings

Operating voltage	U_B 20 ... 253 V ¹⁾
Switching frequency	f 0 ... 10 Hz
Short-circuit protection	no
Voltage drop	U_d ≤ 5 V
Momentary current (20 ms, 0.1 Hz)	0 ... 4000 mA
Operating current	I_L 10 ... 500 mA
Off-state current	I_r 0 ... 2.5 mA typ.
Indication of the switching state	LED, red

Ambient conditions

Ambient temperature	-25 ... 70 °C (248 ... 343 K)
---------------------	-------------------------------

Mechanical specifications

Connection type	terminal compartment
Core cross-section	up to 2.5 mm ²
Housing material	PBT
Sensing face	PBT
Protection degree	IP65
Note	¹⁾ In the temperature range below 0 °C, permissible operating voltage U_b 80...253 V Safety fuse ≤ 2 A (quick-blow) according to IEC 60127-2 Sheet 1 Recommendation: after a short circuit, check that the device is functioning correctly.

Compliance with standards and directives

Standard conformity	
Standards	EN 60947-5-2:2007 IEC 60947-5-2:2007

Release date: 2009-09-09 08:26 Date of issue: 2009-09-09 001602_ENG.xml