



**Model Number**

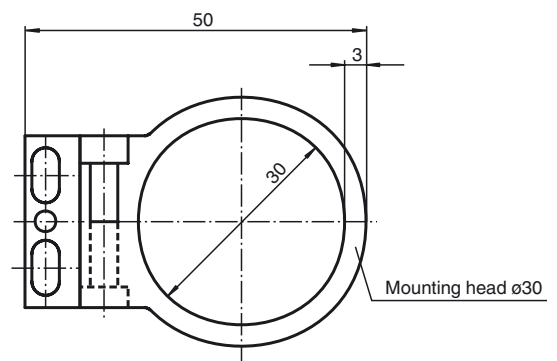
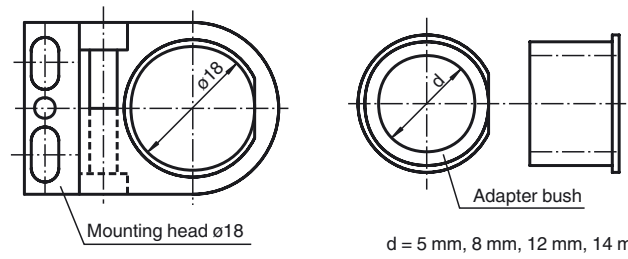
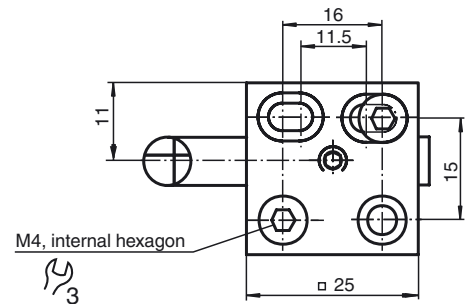
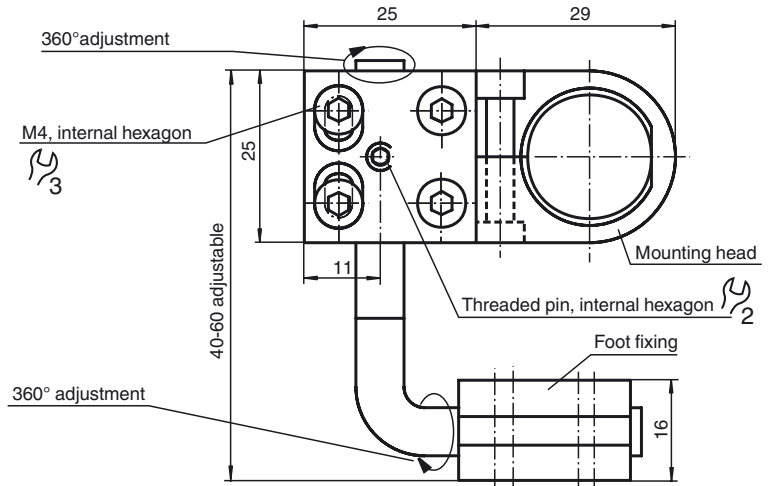
**BF 5-30**

Universal mounting bracket for cylindrical sensors with a diameter of 5 ... 30 mm

**Features**

- Secure fixing
- Simple mounting
- Mounting head and foot fixing may be independently rotated through 360°
- Robust construction

**Dimensions**



**Technical data**

**Ambient conditions**

Ambient temperature -25 ... 85 °C (-13 ... 185 °F)

**Mechanical specifications**

Note Also suited for threaded photodetectors in series KT10, GLV12, VL18, 18GM60, CP18 and GLV30.

**Note**

The mounting adapter is supplied with 2 mounting heads (ø18 mm, ø30 mm) and 4 adapter bushes (ø5 mm, ø8 mm, ø12 mm, ø14 mm).

Release date: 2018-07-02 09:25 Date of issue: 2018-07-02 091196\_eng.xml



# SCATTERGOOD & JOHNSON LTD

ELECTRICAL ENGINEERING & FLUID CONTROL DISTRIBUTORS

Est.1899

At Scattergood & Johnson Ltd, we pride ourselves on being a technical distributor to specialist industries.

Working with a range of quality product suppliers across a number of specialist markets, we are not your average 'box shifter' - we are your technical and supply chain partner.

We fully support every product we sell - for free! Our internal team and external sales engineers can answer any product or application question, no matter the complexity.

Backing up this technical ability is a range of 50,000+ products available from stock for nationwide next day delivery (same day if required!), or you can collect what you need from any of our trade counters around the UK.

Select your specialist interest below to learn more about how we can help.



Online, In Branch and On the Road - Scattergood & Johnson Ltd, there when you need us.

# [www.scatts.co.uk](http://www.scatts.co.uk)