



Model Number

SJ15-WS

Features

- 15 mm slot width
- 2-wire AC

Technical Data

General specifications

Switching function	Normally open (NO)
Output type	Two-wire
Slot width	15 mm
Depth of immersion (lateral)	18.5 ... 20.5 mm
Output polarity	AC
Output type	2-wire

Nominal ratings

Operating voltage	U_B	20 ... 253 V AC
Switching frequency	f	0 ... 25 Hz
Hysteresis	H	typ. 5%
Voltage drop	U_d	Typ. 4 V at 40 ... 500 mA load current
		Typ. 5 V at 15 ... 40 mA load current
		Typ. 7 V at 5 ... 15 mA load current

Voltage drop at I_L	
Voltage drop $I_L = 200$ mA, switching element on U_d	3.5 V

Momentary current (20 ms, 0.1 Hz)	≤ 4000 mA
Operating current	I_L 5 ... 500 mA
Off-state current	I_r ≤ 2 mA

Functional safety related parameters

MTTF _d	1553 a
Mission Time (T _M)	20 a
Diagnostic Coverage (DC)	0 %

Ambient conditions

Ambient temperature	-25 ... 70 °C (-13 ... 158 °F)
---------------------	--------------------------------

Mechanical specifications

Connection type	cable PVC , 2 m
Core cross-section	0.75 mm ²
Housing material	PBT
Degree of protection	IP67
Note	¹⁾ In the temperature range below 0 °C, permissible operating voltage U_b 80...253 V

Safety fuse ≤ 2 A (quick-blow) according to IEC 60127-2 Sheet 1
 Recommendation: after a short circuit, check that the device is functioning correctly.

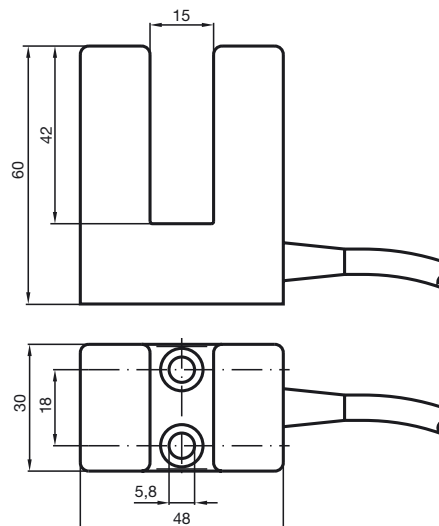
Compliance with standards and directives

Standard conformity	
Standards	EN 60947-5-2:2007 EN 60947-5-2/A1:2012 IEC 60947-5-2:2007 IEC 60947-5-2 AMD 1:2012

Approvals and certificates

UL approval	cULus Listed, General Purpose
CSA approval	cCSAus Listed, General Purpose
CCC approval	Certified by China Compulsory Certification (CCC)

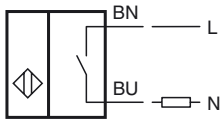
Dimensions



Release date: 2019-09-18 10:44 Date of issue: 2019-09-18 003796_eng.xml



Electrical Connection





SCATTERGOOD & JOHNSON LTD

ELECTRICAL ENGINEERING & FLUID CONTROL DISTRIBUTORS

Est.1899

At Scattergood & Johnson Ltd, we pride ourselves on being a technical distributor to specialist industries.

Working with a range of quality product suppliers across a number of specialist markets, we are not your average 'box shifter' - we are your technical and supply chain partner.

We fully support every product we sell - for free! Our internal team and external sales engineers can answer any product or application question, no matter the complexity.

Backing up this technical ability is a range of 50,000+ products available from stock for nationwide next day delivery (same day if required!), or you can collect what you need from any of our trade counters around the UK.

Select your specialist interest below to learn more about how we can help.



Online, In Branch and On the Road - Scattergood & Johnson Ltd, there when you need us.

www.scatts.co.uk