



Model Number

NBB15-30GM50-US

Features

- Basic series
- 15 mm flush
- 2-wire AC/DC

Accessories

EXG-30
Quick mounting bracket with dead stop

Technical Data

General specifications

| | |
|----------------------------|--------------------|
| Switching function | Normally open (NO) |
| Output type | Two-wire |
| Rated operating distance | s_n 15 mm |
| Installation | flush |
| Output polarity | AC/DC |
| Reduction factor r_{Al} | 0.5 |
| Reduction factor r_{Cu} | 0.45 |
| Reduction factor r_{304} | 0.75 |
| Output type | 2-wire |

Nominal ratings

| | | |
|-----------------------------|-------|---------------------------------|
| Operating voltage | U_B | 20 ... 250 V AC/20 ... 300 V DC |
| Switching frequency | f | 30 Hz |
| Hysteresis | H | 3 ... 15 typ. 5 % |
| Reverse polarity protection | | reverse polarity tolerant |
| Short-circuit protection | | yes |
| Voltage drop | U_d | ≤ 8 V |
| Operating current | I_L | 4 ... 500 mA AC/DC |
| Off-state current | I_r | ≤ 0.8 mA |
| Operating voltage indicator | | LED, green |
| Switching state indicator | | LED, yellow |

Functional safety related parameters

| | |
|--------------------------------|--------|
| MTTF _d | 1036 a |
| Mission Time (T _M) | 20 a |
| Diagnostic Coverage (DC) | 0 % |

Ambient conditions

| | |
|---------------------|--------------------------------|
| Ambient temperature | -25 ... 70 °C (-13 ... 158 °F) |
| Storage temperature | -40 ... 85 °C (-40 ... 185 °F) |

Mechanical specifications

| | |
|----------------------|----------------------|
| Connection type | cable PUR , 2 m |
| Core cross-section | 0.5 mm ² |
| Housing material | brass, nickel-plated |
| Sensing face | PBT |
| Degree of protection | IP67 |

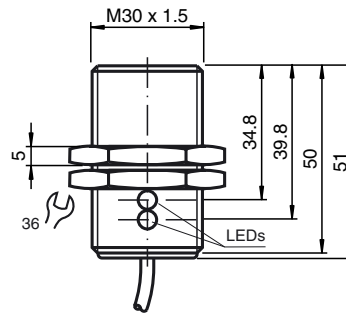
Compliance with standards and directives

| | |
|---------------------|---|
| Standard conformity | |
| Standards | EN 60947-5-2:2007 EN 60947-5-2/A1:2012 IEC 60947-5-2:2007 IEC 60947-5-2 AMD 1:2012 |

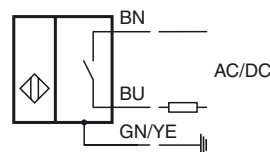
Approvals and certificates

| | |
|--------------|---|
| UL approval | cULus Listed, General Purpose |
| CSA approval | cCSAus Listed, General Purpose |
| CCC approval | Certified by China Compulsory Certification (CCC) |

Dimensions



Electrical Connection



Release date: 2019-07-02 13:07 Date of issue: 2019-07-02 19088_eng.xml



SCATTERGOOD & JOHNSON LTD

ELECTRICAL ENGINEERING & FLUID CONTROL DISTRIBUTORS

Est.1899

At Scattergood & Johnson Ltd, we pride ourselves on being a technical distributor to specialist industries.

Working with a range of quality product suppliers across a number of specialist markets, we are not your average 'box shifter' - we are your technical and supply chain partner.

We fully support every product we sell - for free! Our internal team and external sales engineers can answer any product or application question, no matter the complexity.

Backing up this technical ability is a range of 50,000+ products available from stock for nationwide next day delivery (same day if required!), or you can collect what you need from any of our trade counters around the UK.

Select your specialist interest below to learn more about how we can help.



Online, In Branch and On the Road - Scattergood & Johnson Ltd, there when you need us.

www.scatts.co.uk