



Model Number

CCB10-30GS55-N1

Features

- 10 mm flush
- The switching distance can be set over a wide range with the potentiometer

Accessories

BF 30

Mounting flange, 30 mm

Technical Data

General specifications

Switching function	Normally open (NO)
Output type	NAMUR
Rated operating distance	s_n 10 mm
Installation	flush
Output type	2-wire

Nominal ratings

Installation conditions	
A	0 mm
B	0 mm
C	20 mm
F	60 mm
Nominal voltage	U_o 8.2 V (R_i approx. 1 k Ω)
Operating voltage	U_B 5 ... 15 V
Switching frequency	f 0 ... 50 Hz
Reverse polarity protection	reverse polarity protected
Current consumption	
Measuring plate not detected	\leq 1.5 mA
Measuring plate detected	\geq 2.5 mA
Switching state indicator	LED, yellow

Functional safety related parameters

MTTF _d	1134 a
Mission Time (T _M)	20 a
Diagnostic Coverage (DC)	0 %

Ambient conditions

Ambient temperature	-20 ... 70 °C (-4 ... 158 °F)
---------------------	-------------------------------

Mechanical specifications

Connection type	cable PUR, 2 m
Core cross-section	0.75 mm ²
Housing material	Stainless steel 1.4305 / AISI 303
Sensing face	PTFE
Degree of protection	IP67

General information

Use in the hazardous area	see instruction manuals
Category	1G; 1D

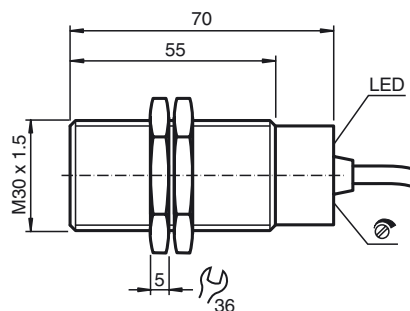
Compliance with standards and directives

Standard conformity	
NAMUR	EN 60947-5-6:2000 IEC 60947-5-6:1999
Standards	EN 60947-5-2:2007 EN 60947-5-2/A1:2012 IEC 60947-5-2:2007 IEC 60947-5-2 AMD 1:2012

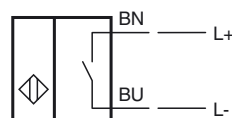
Approvals and certificates

ETL approval	cETLus
CCC approval	CCC approval / marking not required for products rated \leq 36 V

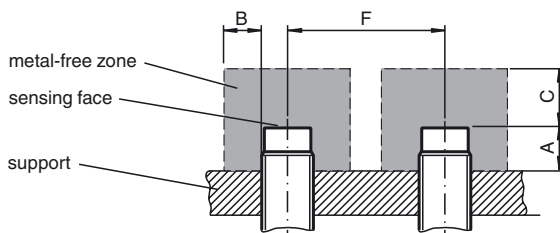
Dimensions



Electrical Connection



Installation Conditions



Equipment protection level Ga

CE marking	CE 0102	
ATEX marking	II 1G Ex ia IIC T1-T6 Ga	
Standards	EN 60079-0:2012, EN 60079-11:2012, EN 60079-26:2007 Ignition protection "Intrinsic safety"	
Appropriate type	CCB10-30GS55-N1...	
Effective internal capacitance	C_i	≤ 250 nF
Effective internal inductance	L_i	≤ 200 μ H
Highest permissible ambient temperature		
T6 when $P_i = 100$ mW, $U_i = 15$ V, $I_i = 30$ mA	40 °C (104 °F)	
T5 when $P_i = 100$ mW, $U_i = 15$ V, $I_i = 30$ mA	40 °C (104 °F)	
T4 when $P_i = 100$ mW, $U_i = 15$ V, $I_i = 30$ mA	80 °C (176 °F)	
T3, T2, T1 when $P_i = 100$ mW, $U_i = 15$ V, $I_i = 30$ mA	100 °C (212 °F)	
Special conditions		

Equipment protection level Da

CE marking	CE 0102	
ATEX marking	II 1D Ex ia IIC T101°C Da	
Standards	EN 60079-0:2012; EN 60079-11:2012 type of protection intrinsic safety "ia"	
Appropriate type	CCB10-30GS55-N1...	
Effective internal capacitance	C_i	≤ 250 nF
Effective internal inductance	L_i	≤ 200 μ H
Special conditions		

Release date: 2019-11-05 08:03 Date of issue: 2019-11-05 245596_eng.xml



SCATTERGOOD & JOHNSON LTD

ELECTRICAL ENGINEERING & FLUID CONTROL DISTRIBUTORS

Est.1899

At Scattergood & Johnson Ltd, we pride ourselves on being a technical distributor to specialist industries.

Working with a range of quality product suppliers across a number of specialist markets, we are not your average 'box shifter' - we are your technical and supply chain partner.

We fully support every product we sell - for free! Our internal team and external sales engineers can answer any product or application question, no matter the complexity.

Backing up this technical ability is a range of 50,000+ products available from stock for nationwide next day delivery (same day if required!), or you can collect what you need from any of our trade counters around the UK.

Select your specialist interest below to learn more about how we can help.



Online, In Branch and On the Road - Scattergood & Johnson Ltd, there when you need us.

www.scatts.co.uk