



## Model Number

**NBB15-U1-Z2**

## Features

- Sensor head bidirectional and rotatable
- 15 mm flush
- 2 LEDs indicator for 360° visibility

## Accessories

### MHW 01

Modular mounting bracket

### V1-M20-80

Receptacles, M12/M20; plastic version

### V1-G

Female connector, M12, 4-pin, field attachable

### V1-W

Female connector, M12, 4-pin, field attachable

## Technical Data

### General specifications

Switching function		Normally open/closed (NO/NC)
Output type		Two-wire
Rated operating distance	$s_n$	15 mm
Installation		flush
Output polarity		DC
Assured operating distance	$s_a$	0 ... 12.15 mm
Actual operating distance	$s_r$	13.5 ... 16.5 mm typ. 15 mm
Reduction factor $r_{AI}$		0.3
Reduction factor $r_{Cu}$		0.3
Reduction factor $r_{304}$		0.7
Output type		2-wire

### Nominal ratings

Operating voltage	$U_B$	5 ... 60 V
Switching frequency	$f$	0 ... 400 Hz
Hysteresis	$H$	typ. 5 %
Reverse polarity protection		reverse polarity tolerant
Short-circuit protection		yes
Voltage drop	$U_d$	$\leq 5$ V
Voltage drop at $I_L$		... 5 V
Voltage drop $I_L = 100$ mA, switching element on $U_d$		
Operating current	$I_L$	2 ... 200 mA
Off-state current	$I_r$	0 ... 0.5 mA
Switching state indicator		2 LED, yellow

### Functional safety related parameters

MTTF <sub>d</sub>	1133 a
Mission Time ( $T_M$ )	20 a
Diagnostic Coverage (DC)	0 %

### Ambient conditions

Ambient temperature	-25 ... 85 °C (-13 ... 185 °F)
---------------------	--------------------------------

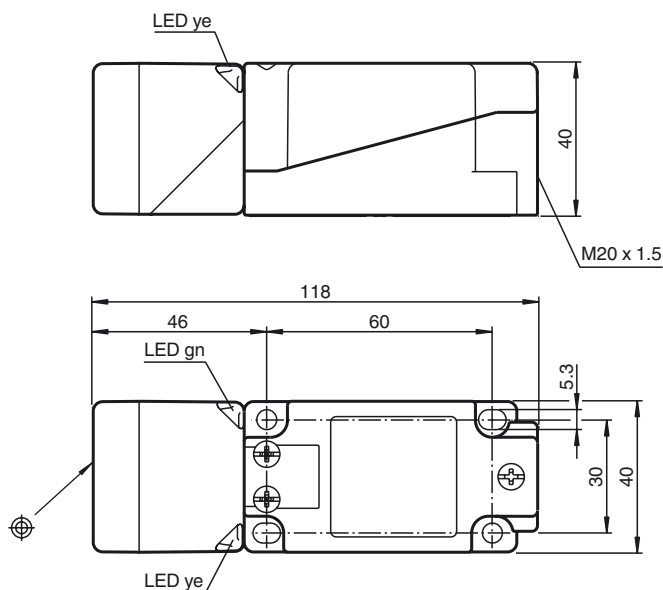
### Mechanical specifications

Connection type	screw terminals
Information for connection	A maximum of two conductors with the same core cross section may be mounted on one terminal connection! tightening torque 1.2 Nm + 10 %
Core cross-section	up to 2.5 mm <sup>2</sup>
Minimum core cross-section	without wire end ferrule 0.5 mm <sup>2</sup> , with connector sleeves 0.34 mm <sup>2</sup>
Maximum core cross-section	without wire end ferrule 2.5 mm <sup>2</sup> , with connector sleeves 1.5 mm <sup>2</sup>
Housing material	PA/metal with epoxy powder coating
Sensing face	PA
Housing base	plastic
Degree of protection	IP68 / IP69K
Mass	225 g
Note	Tightening torque: 1.8 Nm (housing)
<b>Compliance with standards and directives</b>	
Standard conformity	
Standards	EN 60947-5-2:2007 EN 60947-5-2/A1:2012 IEC 60947-5-2:2007 IEC 60947-5-2 AMD 1:2012

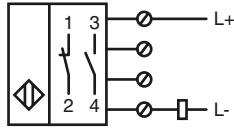
### Approvals and certificates

EAC conformity	TR CU 020/2011
UL approval	cULus Listed, General Purpose
CCC approval	Certified by China Compulsory Certification (CCC)

## Dimensions



Electrical Connection





# SCATTERGOOD & JOHNSON LTD

ELECTRICAL ENGINEERING & FLUID CONTROL DISTRIBUTORS

Est.1899

At Scattergood & Johnson Ltd, we pride ourselves on being a technical distributor to specialist industries.

Working with a range of quality product suppliers across a number of specialist markets, we are not your average 'box shifter' - we are your technical and supply chain partner.

We fully support every product we sell - for free! Our internal team and external sales engineers can answer any product or application question, no matter the complexity.

Backing up this technical ability is a range of 50,000+ products available from stock for nationwide next day delivery (same day if required!), or you can collect what you need from any of our trade counters around the UK.

Select your specialist interest below to learn more about how we can help.



Online, In Branch and On the Road - Scattergood & Johnson Ltd, there when you need us.

# [www.scatts.co.uk](http://www.scatts.co.uk)