



**Model Number**

**NJ40+U1+A**

**Features**

- **Comfort series**
- **40 mm non-flush**

**Accessories**

- V1-G**  
Female connector, M12, 4-pin, field attachable
- V1-W**  
Female connector, M12, 4-pin, field attachable
- MHW 01**  
Modular mounting bracket
- V1-M20-80**  
Receptacles, M12/M20; plastic version

**Technical Data**

**General specifications**

Switching element function		NPN	NO/NC
Rated operating distance	$s_n$	40 mm	
Installation		non-flush	
Output polarity		DC	
Assured operating distance	$s_a$	0 ... 32.4 mm	
Reduction factor $r_{Al}$		0.5	
Reduction factor $r_{Cu}$		0.45	
Reduction factor $r_{304}$		0.8	

**Nominal ratings**

Operating voltage	$U_B$	10 ... 60 V	
Switching frequency	$f$	0 ... 100 Hz	
Hysteresis	$H$	1 ... 10 typ. 5 %	
Reverse polarity protection		reverse polarity protected	
Short-circuit protection		pulsing	
Voltage drop	$U_d$	$\leq 2.8$ V	
Operating current	$I_L$	0 ... 200 mA	
No-load supply current	$I_0$	$\leq 10$ mA	
Time delay before availability	$t_v$	$\leq 100$ ms	
Operating voltage indicator		LED, green	
Switching state indicator		LED, yellow	

**Ambient conditions**

Ambient temperature		-25 ... 70 °C (-13 ... 158 °F)
---------------------	--	--------------------------------

**Mechanical specifications**

Connection type		screw terminals
Information for connection		A maximum of two conductors with the same core cross-section may be mounted on one terminal connection! tightening torque 1.2 Nm + 10 % up to 2.5 mm <sup>2</sup>
Core cross-section		
Minimum core cross-section		without wire end ferrule 0.5 mm <sup>2</sup> , with connector sleeves 0.34 mm <sup>2</sup>
Maximum core cross-section		without wire end ferrule 2.5 mm <sup>2</sup> , with connector sleeves 1.5 mm <sup>2</sup>
Housing material		PBT
Sensing face		PBT
Degree of protection		IP68

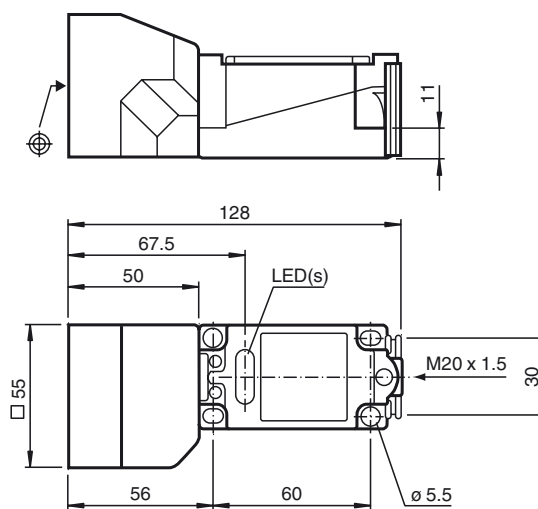
**Compliance with standards and directives**

Standard conformity		
Standards		EN 60947-5-2:2007 IEC 60947-5-2:2007

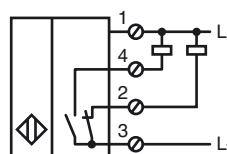
**Approvals and certificates**

UL approval		cULus Listed, General Purpose
CSA approval		cCSAus Listed, General Purpose
CCC approval		Certified by China Compulsory Certification (CCC)

**Dimensions**



**Electrical Connection**



Release date: 2016-09-29 11:42 Date of issue: 2016-10-10 08:524\_eng.xml



# SCATTERGOOD & JOHNSON LTD

ELECTRICAL ENGINEERING & FLUID CONTROL DISTRIBUTORS

Est.1899

At Scattergood & Johnson Ltd, we pride ourselves on being a technical distributor to specialist industries.

Working with a range of quality product suppliers across a number of specialist markets, we are not your average 'box shifter' - we are your technical and supply chain partner.

We fully support every product we sell - for free! Our internal team and external sales engineers can answer any product or application question, no matter the complexity.

Backing up this technical ability is a range of 50,000+ products available from stock for nationwide next day delivery (same day if required!), or you can collect what you need from any of our trade counters around the UK.

Select your specialist interest below to learn more about how we can help.



Online, In Branch and On the Road - Scattergood & Johnson Ltd, there when you need us.

# [www.scatts.co.uk](http://www.scatts.co.uk)