



Model Number

NJ40+U1+E

Features

- **Comfort series**
- **40 mm non-flush**

Accessories

V1-M20-80

Receptacles, M12/M20; plastic version

MHW 01

Modular mounting bracket

V1-G

Female connector, M12, 4-pin, field attachable

V1-W

Female connector, M12, 4-pin, field attachable

Technical Data

General specifications

Switching element function		NPN	NO
Rated operating distance	s_n	40 mm	
Installation		non-flush	
Output polarity		DC	
Assured operating distance	s_a	0 ... 32.4 mm	
Actual operating distance	s_r	36 ... 44 mm typ. 40 mm	
Reduction factor r_{AI}		0.5	
Reduction factor r_{Cu}		0.45	
Reduction factor r_{304}		0.8	

Nominal ratings

Operating voltage	U_B	10 ... 60 V	
Switching frequency	f	0 ... 100 Hz	
Hysteresis	H	1 ... 10 typ. 5 %	
Reverse polarity protection		reverse polarity protected	
Short-circuit protection		pulsing	
Voltage drop	U_d	≤ 2.8 V	
Voltage drop at I_L			
Voltage drop $I_L = 1$ mA, switching element on U_d		0.5 ... 2.3 V typ. 0.9 V	
Voltage drop $I_L = 10$ mA, switching element on U_d		0.8 ... 2.2 V typ. 1.4 V	
Voltage drop $I_L = 20$ mA, switching element on U_d		0.9 ... 2.3 V typ. 1.5 V	
Voltage drop $I_L = 50$ mA, switching element on U_d		0.9 ... 2.5 V typ. 1.6 V	
Voltage drop $I_L = 100$ mA, switching element on U_d		1 ... 2.6 V typ. 1.8 V	
Voltage drop $I_L = 200$ mA, switching element on U_d		1.2 ... 2.8 V typ. 2 V	
Operating current	I_L	0 ... 200 mA	
Off-state current	I_r	0 ... 0.5 mA typ. 0.01 mA	
Off-state current $T_U = 40$ °C, switching element off		≤ 100 μ A	
No-load supply current	I_0	≤ 10 mA	
Time delay before availability	t_v	≤ 100 ms	
Operating voltage indicator		LED, green	
Switching state indicator		LED, yellow	

Ambient conditions

Ambient temperature	-25 ... 70 °C (-13 ... 158 °F)
Storage temperature	-25 ... 85 °C (-13 ... 185 °F)

Mechanical specifications

Connection type	screw terminals
Information for connection	A maximum of two conductors with the same core cross-section may be mounted on one terminal connection! tightening torque 1.2 Nm + 10 % up to 2.5 mm ²
Core cross-section	
Minimum core cross-section	without wire end ferrule 0.5 mm ² , with connector sleeves 0.34 mm ²
Maximum core cross-section	without wire end ferrule 2.5 mm ² , with connector sleeves 1.5 mm ²
Housing material	PBT
Sensing face	PBT
Degree of protection	IP68

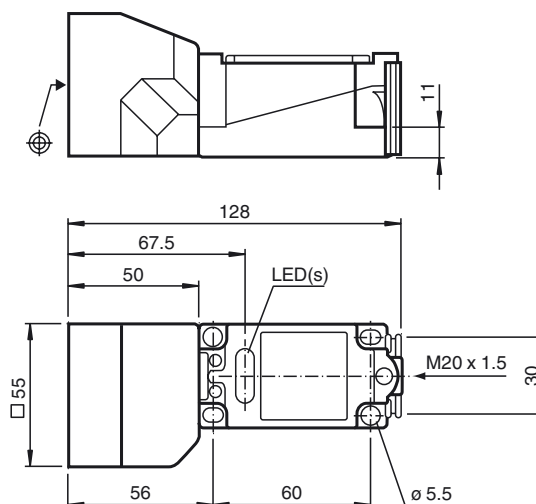
Compliance with standards and directives

Standard conformity	
Standards	EN 60947-5-2:2007 IEC 60947-5-2:2007

Approvals and certificates

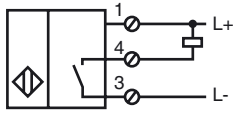
UL approval	cULus Listed, General Purpose
CSA approval	cCSAus Listed, General Purpose
CCC approval	Certified by China Compulsory Certification (CCC)

Dimensions



Release date: 2016-09-29 11:42 Date of issue: 2016-10-10 084526_eng.xml

Electrical Connection



Release date: 2016-09-29 11:42 Date of issue: 2016-10-10 08:45:26_eng.xml



SCATTERGOOD & JOHNSON LTD

ELECTRICAL ENGINEERING & FLUID CONTROL DISTRIBUTORS

Est.1899

At Scattergood & Johnson Ltd, we pride ourselves on being a technical distributor to specialist industries.

Working with a range of quality product suppliers across a number of specialist markets, we are not your average 'box shifter' - we are your technical and supply chain partner.

We fully support every product we sell - for free! Our internal team and external sales engineers can answer any product or application question, no matter the complexity.

Backing up this technical ability is a range of 50,000+ products available from stock for nationwide next day delivery (same day if required!), or you can collect what you need from any of our trade counters around the UK.

Select your specialist interest below to learn more about how we can help.



Online, In Branch and On the Road - Scattergood & Johnson Ltd, there when you need us.

www.scatts.co.uk