

LBK System

3D SAFETY RADAR

WORLD FIRST
**SIL2
Pld**
RADAR SYSTEM

PRODUCT OVERVIEW



**SCATTERGOOD
& JOHNSON LTD**
ELECTRICAL ENGINEERING & FLUID CONTROL DISTRIBUTORS

Est.1899

3D SAFETY RADAR

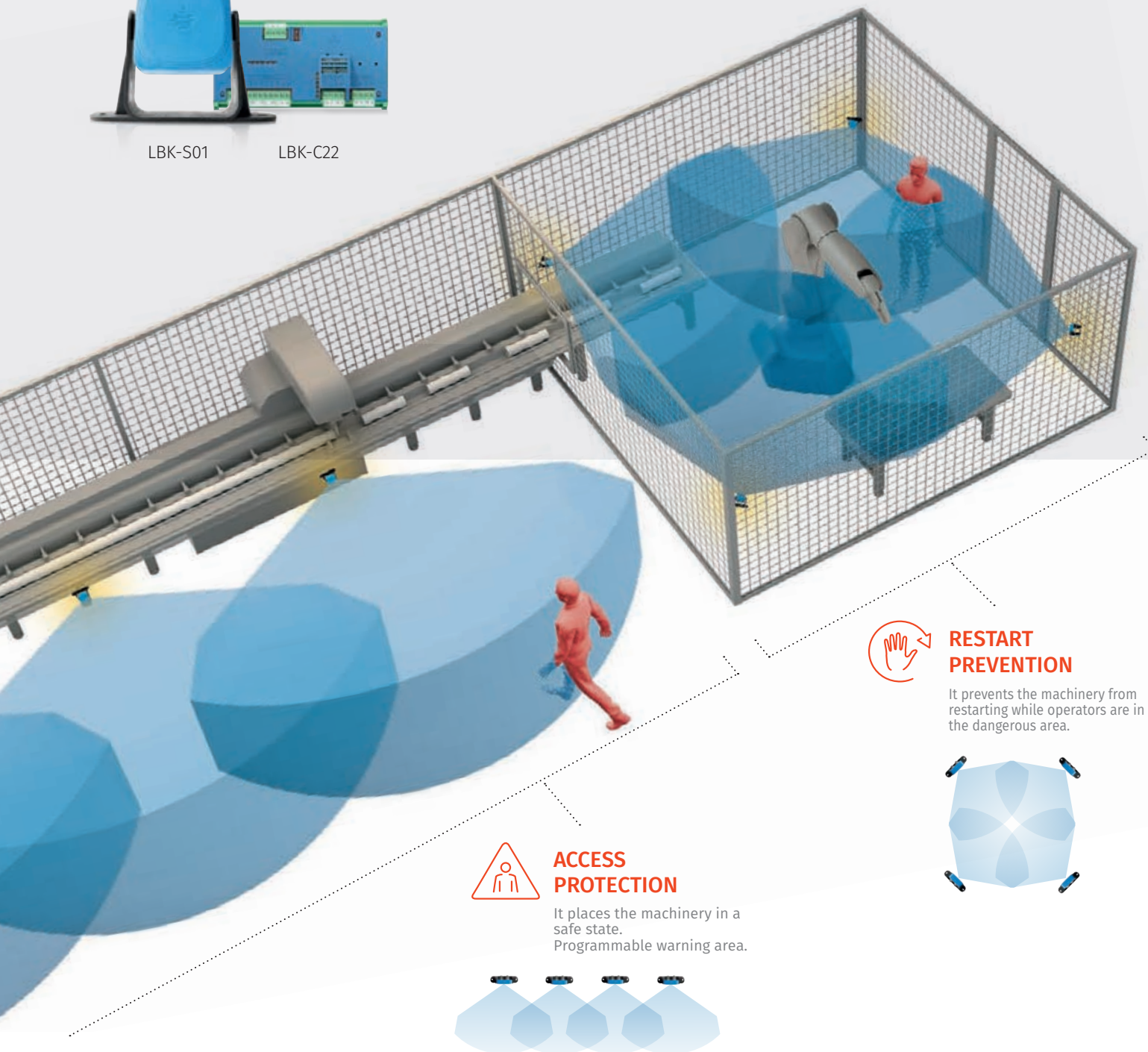
LBK System

The first certified volumetric radar safety system. Thanks to its unique features, it transforms the state of the art of industrial automation, increasing safety without compromising productivity.



LBK-S01

LBK-C22



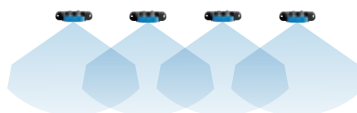
RESTART PREVENTION

It prevents the machinery from restarting while operators are in the dangerous area.



ACCESS PROTECTION

It places the machinery in a safe state. Programmable warning area.



World's first SIL2/Pld radar system.

For the protection of operators in industrial safety applications.



Safe RESTART function.

The LBK System can detect the presence of operators in the dangerous area, preventing accidental restarts of the machinery.



It works where optical sensors stop.

The LBK System is immune to environmental disturbances such as smoke, dust, shavings, splashes or machining waste.



High safety without compromising productivity

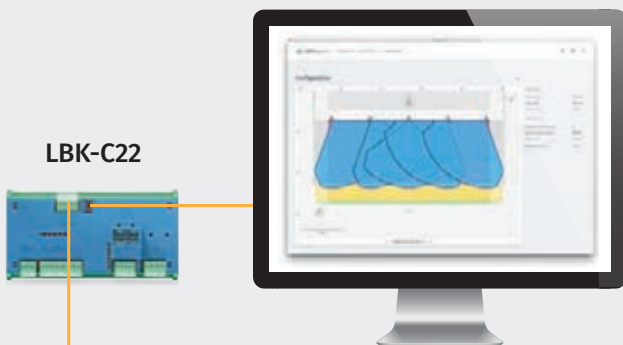


Optical devices often fail due to dust, smoke, water or waste generated by the production process.

The Inxpect team, highly specialized in radar technology, has developed a sophisticated 24 GHz radar algorithm that filters out those disturbances, reducing false alarms and increasing productivity.

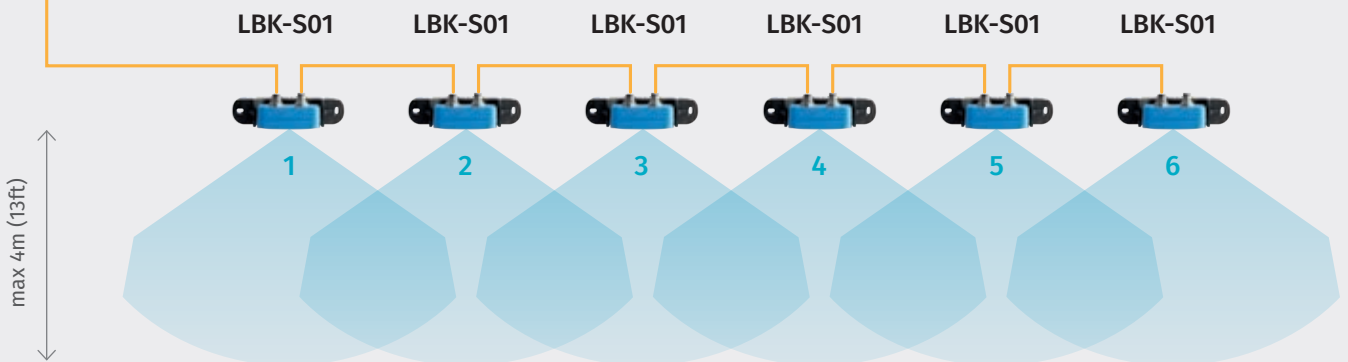
Easy setup

INXPECT SAFETY APPLICATION



The LBK System is composed of the **LBK-C22** control unit and up to six **LBK-S01** sensors. The maximum depth of the monitored area is 4m (13ft).

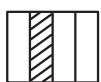
Configuring the system is quick and easy, thanks to the user friendly **Inxpect Safety Application**. Guided validation procedures and the simple generation of the configuration report complete the installation.



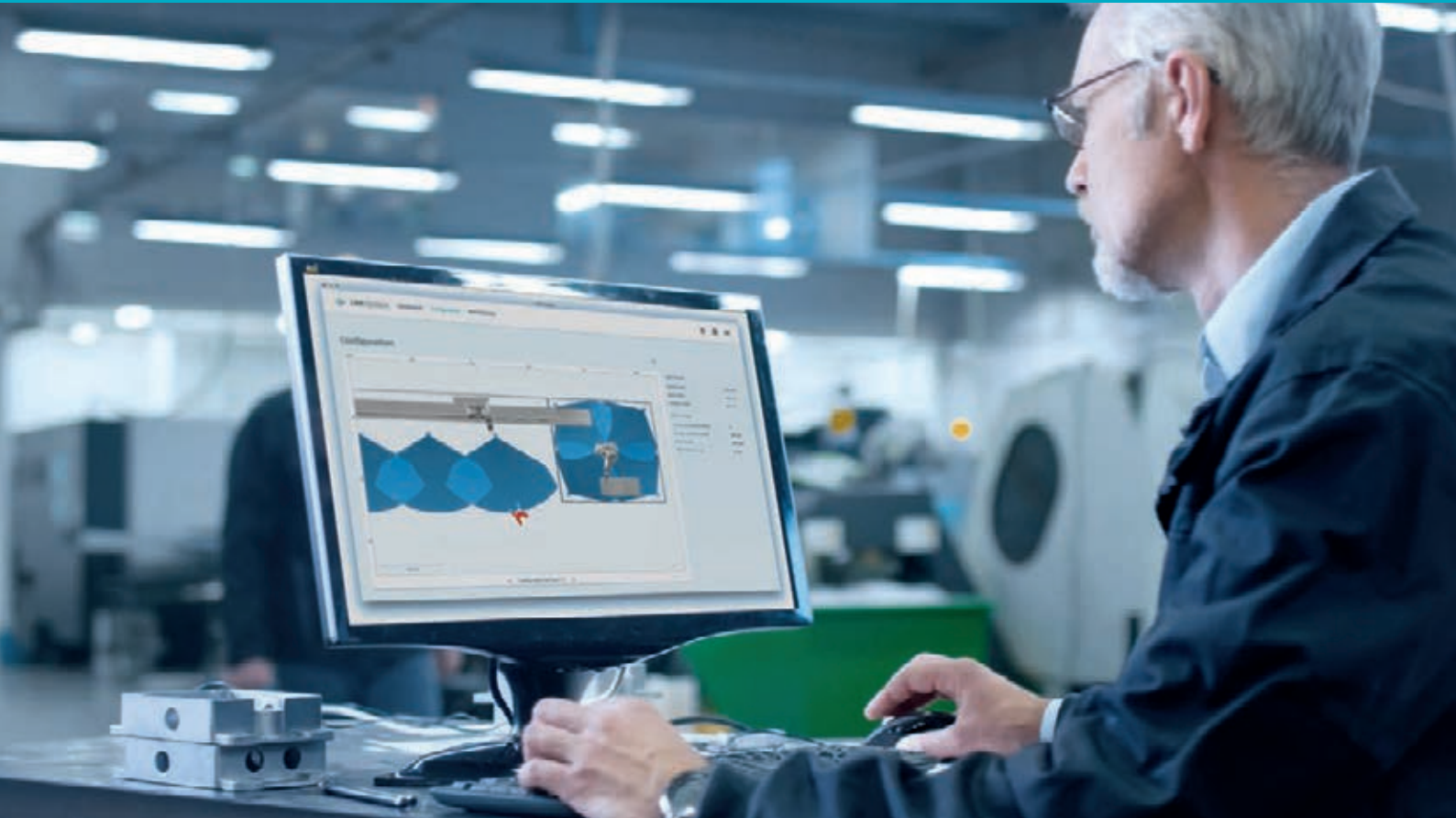
A perfect alignment between sensors is not required.



The provided Inxpect Safety Application allows multiple configuration modes: automatic for regular-shaped areas, manual for the monitoring of more complex areas.



Programmable Muting function: the configuration of sensor groups that can be temporarily muted allows operators to safely access parts of the dangerous area, according to production needs.

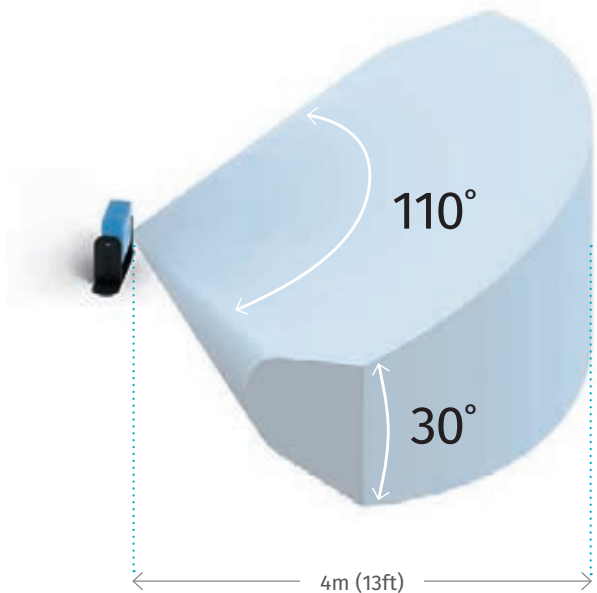


Sensing field

Each LBK-S01 sensor in the LBK System can be field-programmed, independently from the others, to cover either a Wide or a Narrow sensing field. The actual covered area of each sensor depends on installation height and tilt.

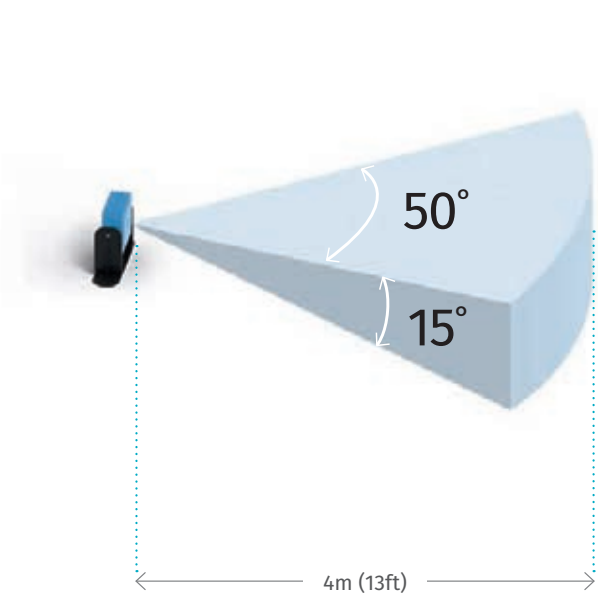
WIDE COVERAGE FIELD

Horizontal Plane: 110°
Vertical Plane: 30°



NARROW COVERAGE FIELD

Horizontal Plane: 50°
Vertical Plane: 15°





LBK-S01

The smart radar sensor



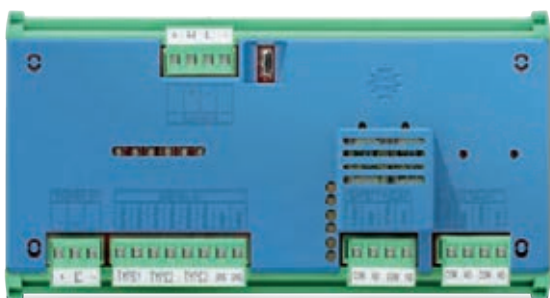
The **LBK-S01** sensor is a smart FMCW (Frequency Modulated Continuous Wave) radar device based on proprietary Inxpect detection algorithms.

The sensor sends 24 GHz radio waves and recovers motion information, analyzing the returned signals reflected by both static and moving objects in the operative range.

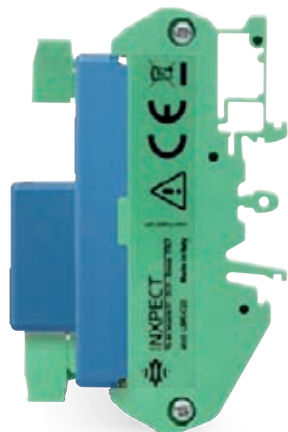
The sensors perform the following primary functions:

- **Motion and scenario analysis.**
- **Communication via CAN bus to the controller of the motion detection signal.**
- **Fault reporting and communication of diagnostic information via CAN bus to the controller.**





The plastic cover is an optional accessory.



Auxiliary outputs

The controller has two auxiliary relay outputs, which can be configured to signal: pre-alarm, fault, muting status.

LBK-C22

The control unit

The Inxpect **LBK-C22** is the system control unit. It can connect up to six LBK-S01 smart sensors. Intervention of any single sensor results in the deactivation of the controller's safety output.

The LBK-C22 control unit can be configured with the Inxpect Safety PC application through USB cable connection, which allows the configuration of sensitivity levels, safety functions, size of warning and dangerous areas, and the functionality of the controller's I/O ports.

Digital inputs

The controller has three dual-channel digital inputs and common reference potential for:

- muting
(high logic level (1) = muting enabled)
- machinery emergency button
(low logic level (0) = stopping enabled)
- machinery restart button enabled
(high logic level (1) = restart enabled)

The digital inputs can be configured through the Inxpect Safety application software.

Safety outputs

The controller has one dual-channel, force-guided safety relay output for alarms and direct or indirect safety of the machinery.

Dimensions



Conformity



Directives 2006/42/EC (MD - Machinery)
2014/53/EU (RED - Radio equipment)

Standards IEC/EN 62061: 2005 SIL 2
EN ISO 13849-1: 2015 PL d
EN ISO 13849-2: 2012
IEC/EN 61496-1: 2013
IEC/EN 61508: 2010 Part 1-7 SIL 2
ETSI EN 300 440 v2.1.1
ETSI EN 301 489-1 v2.2.0 (only emissions)
ETSI EN 301 489-3 v2.1.1 (only emissions)
IEC/EN 61326-3-1: 2017
IEC/EN 61010-1: 2010

General

Detection method	Inxpect motion detection algorithm based on FMCW radar
Frequency	Working band: 24–24,25 GHz (24.05-24.25 for UK and FR) Transmission power: ≤ 13 dBm - Modulation: FMCW
Detection interval	From 0 to 4 m (0 to 13.1 ft), depending on the installation conditions
Sensing field and Installation height	Wide FOV configuration: 110° Horiz. 30° Vert., Height: 0 to 3 m (0 to 9.8 ft) Narrow FOV configuration: 50° Horiz. 15° Vert., Height: 0 to 3 m (0 to 9.8 ft)
Guaranteed response time	< 100 ms
SIL (Safety Integrity Level)	2
PL (Performance Level)	d
Category	2 (3 for the outputs)
Total consumption	11 W (controller and six sensors)
Operating Temperature	From -40 to +60 °C (-40 to +140 °F)
Storage Temperature	From -40 to +80 °C (-40 to +176 °F)
Communication protocol (sensors-controller)	CAN complies with standard EN 50325-5
Warranty period	36 months from the date of purchase of the product

Sensor

Connectors	2 5-pin M12 connectors (1 male and 1 female)
CAN bus termination resistance	120 Ω (not supplied, to be installed with termination connector)
Power supply	12 V dc ± 20%, through controller
Degree of protection	IP67
Material	Sensor case: PA66 Bracket: PA66 and glass fiber (GF)

Controller

Outputs	4 relay outputs: 1 dual channel safety output 2 auxiliary outputs
Safety relay outputs	Forced guided relays Max voltage: 30 V dc Max current: 8 A dc Max power: 240W
Auxiliary relay outputs	Electromechanical relays Max voltage: 30 V dc Max current: 2 A dc Max power: 60W
Inputs	3 dual channel digital inputs with common GND: 1 type 1 1 type 2 1 type 3
Power supply	24 V dc (20–28 V dc) Max current: 0.6A
Consumption	Max 3.8W
Assembly	DIN guide
Degree of protection	IP20
Terminals	Section: 2.5mm ² Max Current: 12A with 2.5mm ² cables

CAN bus cables

Section	2 x 0.34mm ² power supply - 2 x 0.34mm ² data
Type	Two twisted pairs: power supply and data
Connectors	5-pole M12
Impedance	120 Ω ±12 Ω (f = 1 MHz)
Shield	Shield with twisted wires in tin-plated copper. Requires ground connection.
Length	30m (98.4ft) from controller to sensor (configuration with 1 sensor)



SCATTERGOOD & JOHNSON LTD
ELECTRICAL ENGINEERING & FLUID CONTROL DISTRIBUTORS

Scattergood & Johnson Ltd
Lowfields Road
Leeds
LS12 6ET

www.scatts.co.uk
safety@scatts.co.uk
+44 (0) 113 243 0203



SCATTERGOOD & JOHNSON LTD

ELECTRICAL ENGINEERING & FLUID CONTROL DISTRIBUTORS

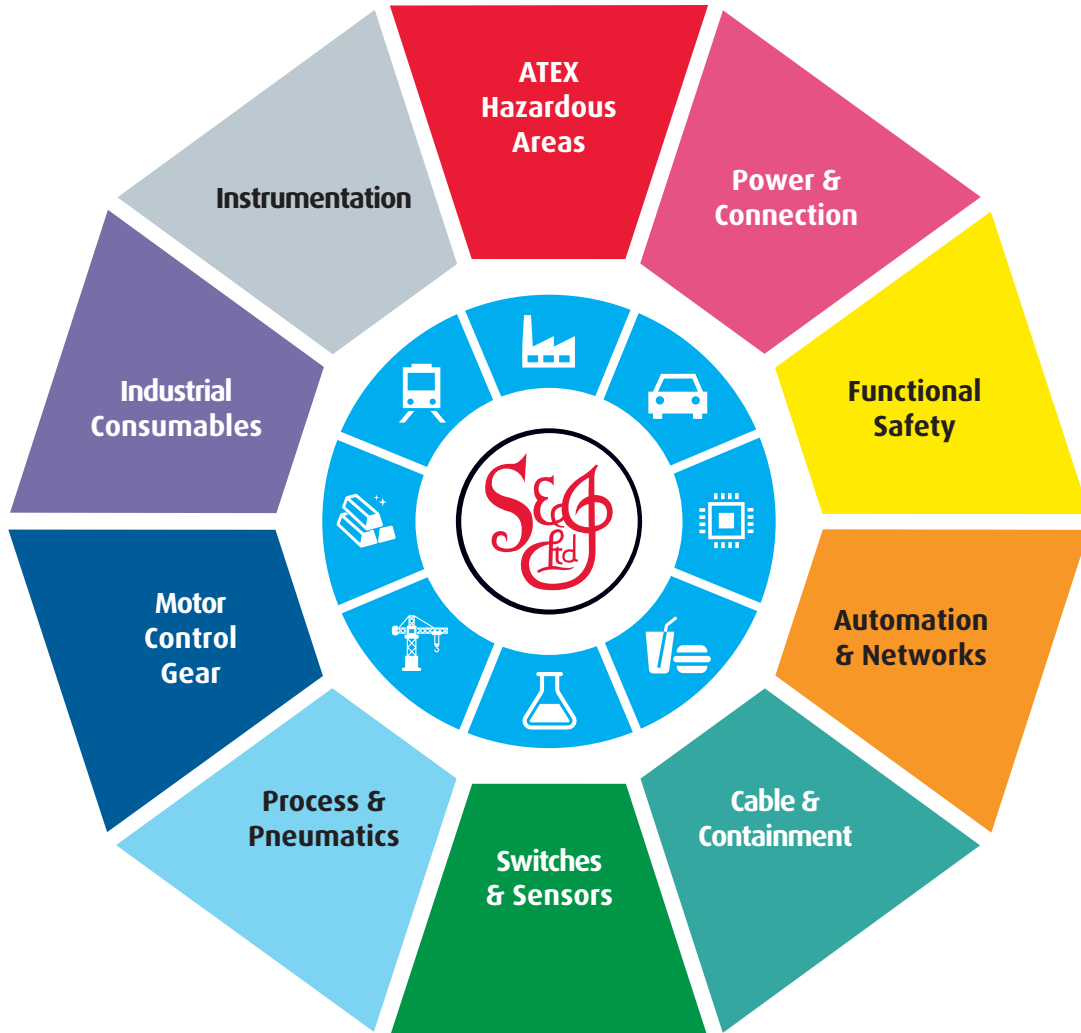
At Scattergood & Johnson Ltd, we pride ourselves on being a technical distributor to specialist industries.

Working with a range of quality product suppliers across a number of specialist markets, we are not your average 'box shifter' - we are your technical and supply chain partner.

We fully support every product we sell - for free! Our internal team and external sales engineers can answer any product or application question, no matter the complexity.

Backing up this technical ability is a range of 50,000+ products available from stock for nationwide next day delivery (same day if required!), or you can collect what you need from any of our trade counters around the UK.

Select your specialist interest below to learn more about how we can help.



Online, In Branch and On the Road - Scattergood & Johnson Ltd, there when you need us.

www.scatts.co.uk