

**Elektrischer Anschluss**

**Electrical connection**

**Adressen/Addresses**

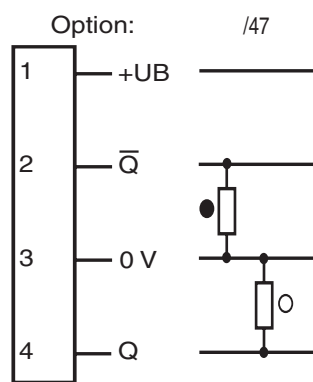
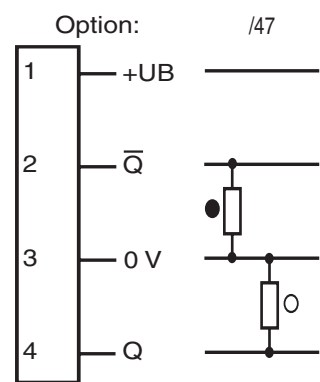
Reflexionslichttaster, energetisch

Gerätestecker M12 x 1, 4-polig

Diffuse mode sensor

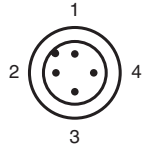
4-pin, M12 x 1 connector

**GLV30-8-2500/47/73c**



○ = Hellschaltung  
● = Dunkelschaltung

○ = Light on  
● = Dark on



Pepperl+Fuchs GmbH  
68301 Mannheim · Germany  
Tel. +49 621 776-4411  
Fax +49 621 776-27-4411  
E-mail: fa-info@de.pepperl-fuchs.com

**Worldwide Headquarters**  
Pepperl+Fuchs GmbH · Mannheim · Germany  
E-mail: fa-info@de.pepperl-fuchs.com

**USA Headquarters**  
Pepperl+Fuchs Inc. · Twinsburg · USA  
E-mail: fa-info@us.pepperl-fuchs.com

**Asia Pacific Headquarters**  
Pepperl+Fuchs Pte Ltd · Singapore  
E-mail: fa-info@sg.pepperl-fuchs.com  
Company Registration No. 199003130E

[www.pepperl-fuchs.com](http://www.pepperl-fuchs.com)



Doc. No.: 45-2644A  
DIN A3 -> DIN A7

Part. No.: 419128  
Date: 05/08/2018

**PEPPERL+FUCHS**  
SENSING YOUR NEEDS

**Technische Daten**

Allgemeine Daten		
Tastbereich		100 ... 2500 mm
Einstellbereich		750 ... 2500 mm
Lichtsender		IREDD
Lichtart		infrarot, Wechsellicht
Lichtfleckdurchmesser		ca. 450 mm im Abstand von 2000 mm
Öffnungswinkel		± 7 °
Fremdlichtgrenze		30000 Lux
Anzeigen/Bedienelemente		
Funktionsanzeige		LED gelb, leuchtet bei unbelichtetem Empfänger
Bedienelemente		Tastweiteneinsteller
Elektrische Daten		
Betriebsspannung	U <sub>B</sub>	24 V DC ± 20 %
Welligkeit		10 %
Leerlaufstrom	I <sub>0</sub>	30 mA
Ausgang		
Schaltungsart		hell-/dunkelschaltend
Signalausgang		2 PNP, antivalent, kurzschlussfest, verpolgeschützt
Schaltspannung		max. 30 V DC
Schaltstrom		max. 200 mA
Schaltfrequenz	f	35 Hz
Ansprechzeit		10 ms
Normenkonformität		
Normen		EN 60947-5-2
Umgebungsbedingungen		
Umgebungstemperatur		-20 ... 60 °C (-4 ... 140 °F)
Lagertemperatur		-20 ... 75 °C (-4 ... 167 °F)
Mechanische Daten		
Schutzart		IP67
Anschluss		Kunststoffstecker M12 x 1, 4-polig
Material		
Gehäuse		ABS
Lichtaustritt		Kunststofflinsen
Masse		ca. 70 g
Zulassungen und Zertifikate		
CCC-Zulassung		Produkte, deren max. Betriebsspannung ≤36 V ist, sind nicht zulassungspflichtig und daher nicht mit einer CCC-Kennzeichnung versehen.
Zulassungen		CE

**Technical data**

General specifications		
Detection range		100 ... 2500 mm
Adjustment range		750 ... 2500 mm
Light source		IREDD
Light type		modulated infrared light
Diameter of the light spot		approx. 450 mm at a distance of 2000 mm
Angle of divergence		± 7 °
Ambient light limit		30000 Lux
Indicators/operating means		
Function indicator		LED yellow, lights up if receiver is not lit
Control elements		Sensing range adjuster
Electrical specifications		
Operating voltage	U <sub>B</sub>	24 V DC ± 20 %
Ripple		10 %
No-load supply current	I <sub>0</sub>	30 mA
Output		
Switching type		light/dark on
Signal output		2 PNP, complementary, short-circuit protected, reverse polarity protected
Switching voltage		max. 30 V DC
Switching current		max. 200 mA
Switching frequency	f	35 Hz
Response time		10 ms
Standard conformity		
Standards		EN 60947-5-2
Ambient conditions		
Ambient temperature		-20 ... 60 °C (-4 ... 140 °F)
Storage temperature		-20 ... 75 °C (-4 ... 167 °F)
Mechanical specifications		
Degree of protection		IP67
Connection		Plastic connector M12 x 1, 4-pin
Material		
Housing		ABS
Optical face		plastic lenses
Mass		approx. 70 g
Approvals and certificates		
CCC approval		CCC approval / marking not required for products rated ≤36 V
Approvals		CE

**Sicherheitshinweise:**

- Vor der Inbetriebnahme Betriebsanleitung lesen
- Anschluss, Montage und Einstellung nur durch Fachpersonal
- Kein Sicherheitsbauteil gemäß EU-Maschinenrichtlinie

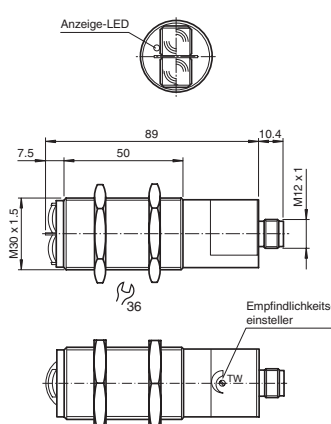
**Security Instructions:**

- Read the operating instructions before attempting commissioning
- Installation, connection and adjustments should only be undertaken by specialist personnel
- Not a safety component in accordance with the EU Machinery Directive

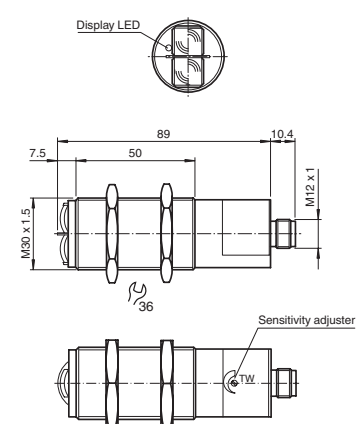
**Abmessungen**

**Dimensions**

alle Maße in mm

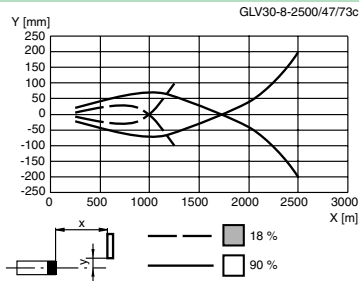


all dimensions in mm



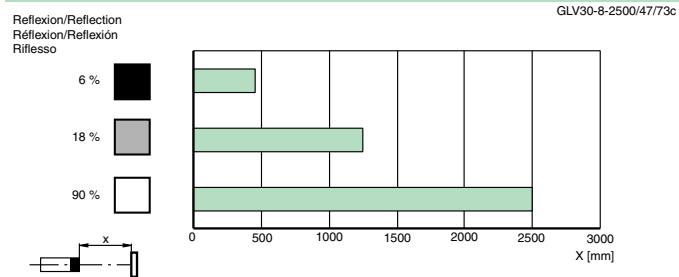
**Charakteristische Ansprechkurve**  
**Characteristic response curve**  
**Courbe de response caractéristique**  
**Curva de respuesta característica**  
**Curve di risposta caratteristica**

Möglicher Abstand (Versatz) zwischen optischer Achse und Referenzobjekt.  
 Permissible distance (offset) between optical axis and reference target.  
 Ecart possible entre l'axe optique et la cible de référence.  
 Desplazamiento entre el eje óptico y objeto de referencia.  
 Distanza possibile (sfalsato) tra l'asse ottico e l'oggetto di riferimento.



**Tastbereiche**  
**Detection ranges**  
**Distancias utiles**

**Rangos de detección**  
**Domaines de detection**





# SCATTERGOOD & JOHNSON LTD

ELECTRICAL ENGINEERING & FLUID CONTROL DISTRIBUTORS

Est.1899

At Scattergood & Johnson Ltd, we pride ourselves on being a technical distributor to specialist industries.

Working with a range of quality product suppliers across a number of specialist markets, we are not your average 'box shifter' - we are your technical and supply chain partner.

We fully support every product we sell - for free! Our internal team and external sales engineers can answer any product or application question, no matter the complexity.

Backing up this technical ability is a range of 50,000+ products available from stock for nationwide next day delivery (same day if required!), or you can collect what you need from any of our trade counters around the UK.

Select your specialist interest below to learn more about how we can help.



Online, In Branch and On the Road - Scattergood & Johnson Ltd, there when you need us.

# [www.scatts.co.uk](http://www.scatts.co.uk)