



**Model Number**

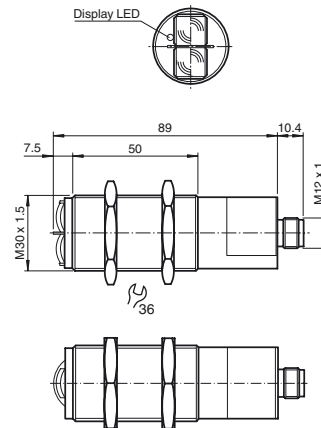
**GLV30-8-H-150-IR/47/73c**

Background suppression sensor  
connector M12 x 1, 4-pin

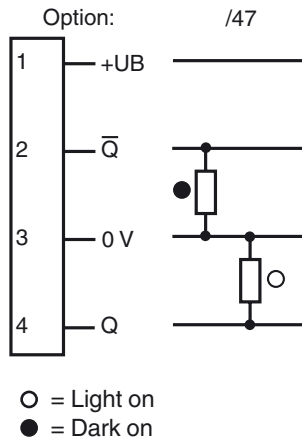
**Features**

- M30 plastic housing
- Light/dark switching

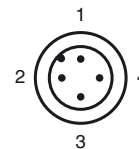
**Dimensions**



**Electrical connection**



**Pinout**



Release date: 2012-04-10 14:36 Date of issue: 2012-04-10 4-19287\_eng.xml

**Technical data****General specifications**

Detection range	20 ... 150 mm
Detection range min.	0 ... 145 mm
Detection range max.	0 ... 170 mm
Background suppression	starts from 180 mm
Light source	IREDD
Light type	modulated infrared light
Black/White difference (6%/90%)	< 10 mm
Approvals	CE
Diameter of the light spot	4 mm at a distance of 150 mm
Angle of divergence	$\pm 1^\circ$
Ambient light limit	30000 Lux

**Indicators/operating means**

Function display	LED yellow, lights up if receiver is not lit
------------------	--

**Electrical specifications**

Operating voltage	$U_B$	24 V DC $\pm$ 20 %
Ripple		10 %
No-load supply current	$I_0$	30 mA

**Output**

Switching type	light/dark on	
Signal output	2 PNP, complementary, short-circuit protected, reverse polarity protected	
Switching voltage	max. 30 V DC	
Switching current	max. 200 mA	
Switching frequency	$f$	35 Hz
Response time		10 ms

**Standard conformity**

Standards	EN 60947-5-2
-----------	--------------

**Ambient conditions**

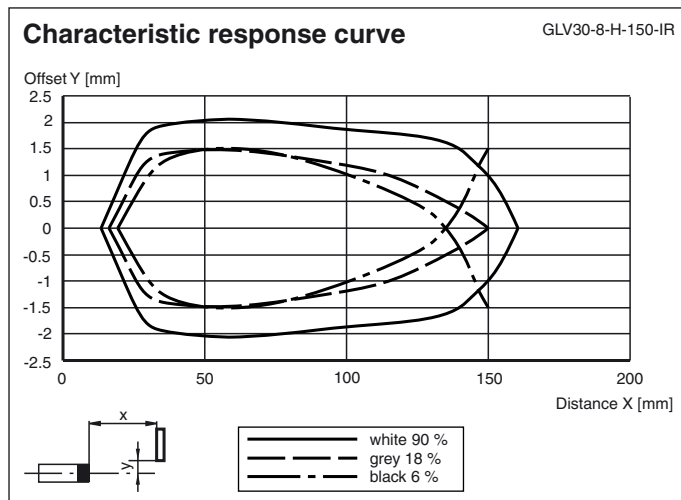
Ambient temperature	-20 ... 60 °C (-4 ... 140 °F)
Storage temperature	-20 ... 75 °C (-4 ... 167 °F)

**Mechanical specifications**

Protection degree	IP67
Connection	Plastic connector M12 x 1, 4-pin
Material	
Housing	ABS
Optical face	plastic lenses
Mass	approx. 70 g

**Approvals and certificates**

CCC approval	Products with a maximum operating voltage of $\leq 36$ V do not bear a CCC marking because they do not require approval.
--------------	--

**Curves/Diagrams****Accessories****V1-G-2M-PUR**

Cable socket, M12, 4-pin, PUR cable

**V1-W-2M-PUR**

Cable socket, M12, 4-pin, PUR cable

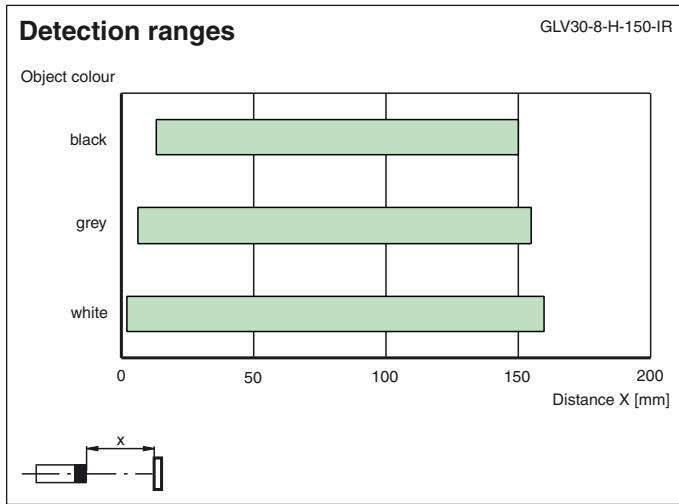
**BF 30**

Mounting flange, 30 mm

**BF 30-F**

Mounting flange with dead stop, 30 mm

Other suitable accessories can be found at [www.pepperl-fuchs.com](http://www.pepperl-fuchs.com)



Release date: 2012-04-10 14:36 Date of issue: 2012-04-10 419287\_eng.xml