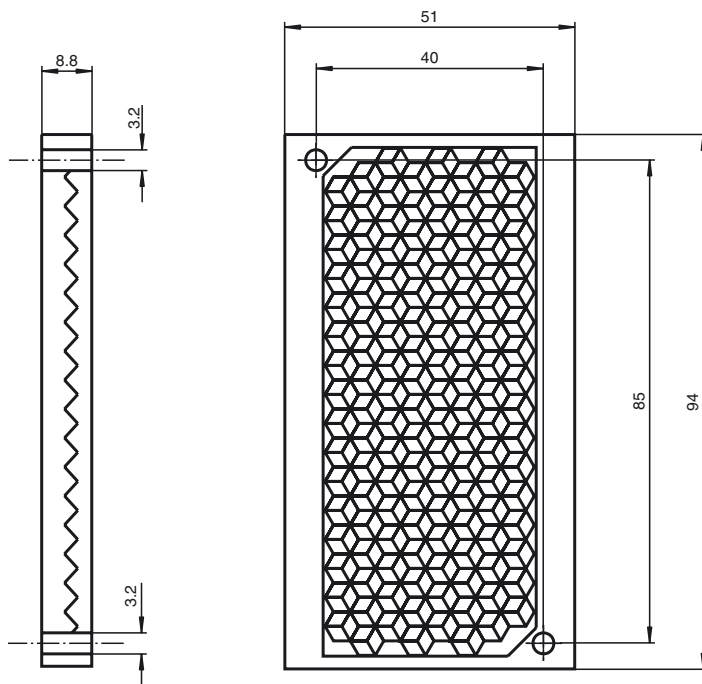


Dimensions



Model Number

REF-H85HT

Reflector, rectangular 51 mm x 94 mm, mounting holes, high temperature resistant up to 500 °C

Features

- Specially resistant to scratching and knocks
- High temperature rated to 500 °C

Technical data

General specifications

Construction type	rectangular
-------------------	-------------

Ambient conditions

Ambient temperature	-50 ... 500 °C (-58 ... 932 °F)
---------------------	---------------------------------

Mechanical specifications

Material	Borosilicate glass
Dimensions	51 mm x 94 mm
Mounting	mounting holes

Release date: 2015-11-09 16:19 Date of issue: 2015-11-09 197532_eng.xml



SCATTERGOOD & JOHNSON LTD

ELECTRICAL ENGINEERING & FLUID CONTROL DISTRIBUTORS

Est.1899

At Scattergood & Johnson Ltd, we pride ourselves on being a technical distributor to specialist industries.

Working with a range of quality product suppliers across a number of specialist markets, we are not your average 'box shifter' - we are your technical and supply chain partner.

We fully support every product we sell - for free! Our internal team and external sales engineers can answer any product or application question, no matter the complexity.

Backing up this technical ability is a range of 50,000+ products available from stock for nationwide next day delivery (same day if required!), or you can collect what you need from any of our trade counters around the UK.

Select your specialist interest below to learn more about how we can help.



Online, In Branch and On the Road - Scattergood & Johnson Ltd, there when you need us.

www.scatts.co.uk