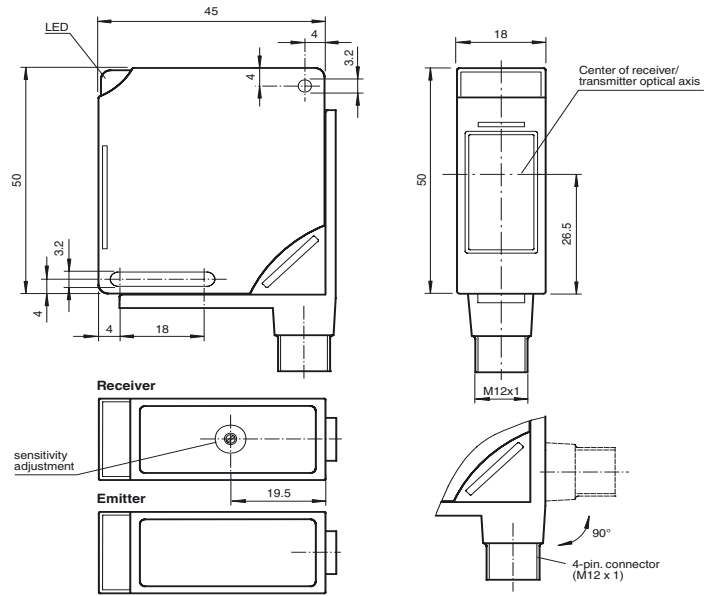




Dimensions



Model Number

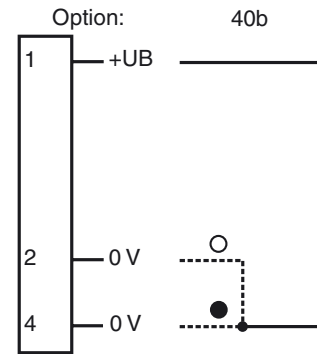
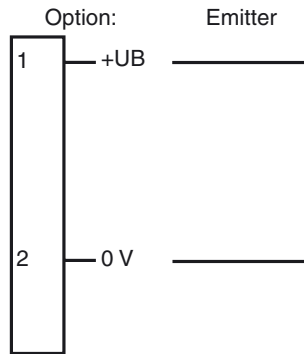
M11/MV11-Ex/40b/112

NAMUR thru-beam sensor, small housing design, 10 m detection range, red light, light/dark on, DC version, NAMUR output, M12 plug

Features

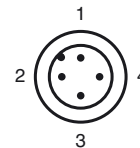
- ATEX approval for zone 1 (Gas)
- Intrinsically safe, Ex op is ia IIC T6 Gb
- Adjustable sensitivity

Electrical connection



○ = Light on
● = Dark on

Pinning according



Release date: 2019-11-27 13:58 Date of issue: 2019-11-27 108994_eng.xml

Technical data

General specifications

Effective detection range	0 ... 10 m
Threshold detection range	10 m
Light source	LED
Light type	modulated visible red light , 660 nm
Ambient light limit	≤ 10000 Lux sun light ≤ 7500 Lux halogen light

Functional safety related parameters

MTTF _d	575 a
Mission Time (T _M)	20 a
Diagnostic Coverage (DC)	0 %

Indicators/operating means

Operation indicator	LED green: power on (emitter)
Function indicator	LED yellow: switching state (receiver)
Control elements	sensitivity adjustment

Electrical specifications

Operating voltage	U _B	6 ... 15.5 V DC (R _i approx. 0 Ohm)
Ripple		5 %
Power consumption	P ₀	max. 64 mW
Time delay before availability	t _v	20 ms

Output

Switching type	light/dark on, programmable	
Signal output	1 NAMUR output NC/NO programmable	
Switching voltage	8 V DC (R _i approx. 1 kΩ)	
Switching frequency	f	≤ 100 Hz
Current consumption	Emitter: ≥ 2.2 mA , Receiver:	
Reference target detected	connection 1, 2: ≥ 2.2 mA connection 1, 4: ≤ 1 mA	
Reference target not detected	connection 1, 2: ≤ 1 mA connection 1, 4: ≥ 2.2 mA	
Response time	5 ms	

Conformity

Product standard	EN 60947-5-2
------------------	--------------

Ambient conditions

Ambient temperature	-25 ... 70 °C (-13 ... 158 °F)
Storage temperature	-40 ... 80 °C (-40 ... 176 °F)

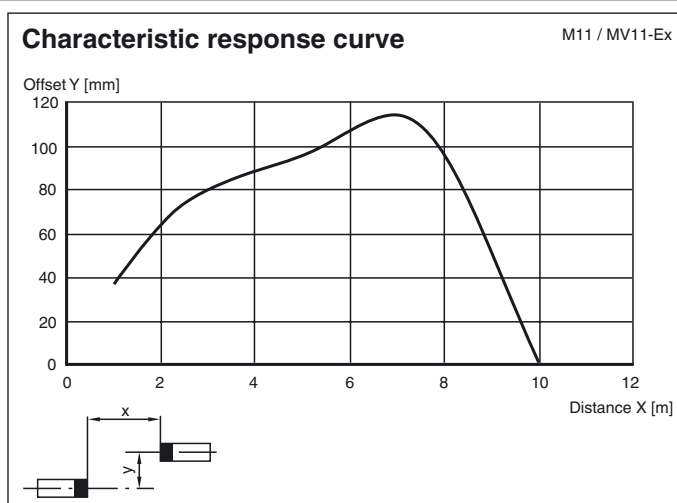
Mechanical specifications

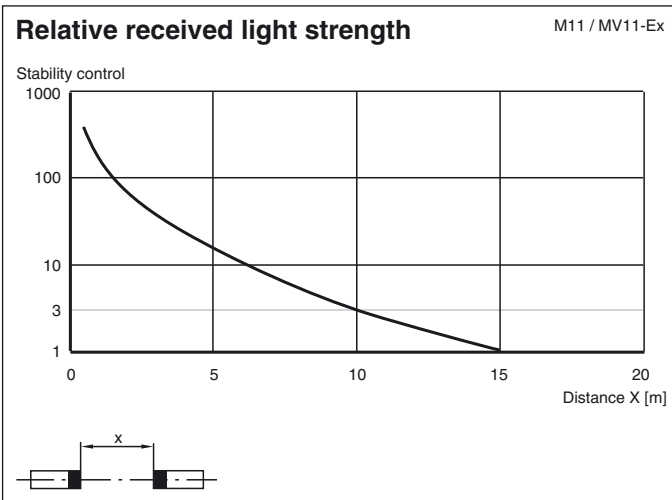
Housing width	18 mm
Housing height	50 mm
Housing depth	45 mm
Degree of protection	IP67
Connection	V1 connector (M12 x 1), 4-pin, rotatable through 90°
Material	
Housing	PBT
Optical face	scratch resistant plastic lens
Mass	60 g (device)

Approvals and certificates

CCC approval	CCC approval / marking not required for products rated ≤36 V
--------------	--

Curves / Diagrams





Release date: 2019-11-27 13:58 Date of issue: 2019-11-27 108994_eng.xml

Refer to "General Notes Relating to Pepperl+Fuchs Product Information".

Pepperl+Fuchs Group
www.pepperl-fuchs.com

USA: +1 330 486 0001
fa-info@us.pepperl-fuchs.com

Germany: +49 621 776 4411
fa-info@de.pepperl-fuchs.com

Singapore: +65 6779 9091
fa-info@sg.pepperl-fuchs.com



SCATTERGOOD & JOHNSON LTD

ELECTRICAL ENGINEERING & FLUID CONTROL DISTRIBUTORS

Est.1899

At Scattergood & Johnson Ltd, we pride ourselves on being a technical distributor to specialist industries.

Working with a range of quality product suppliers across a number of specialist markets, we are not your average 'box shifter' - we are your technical and supply chain partner.

We fully support every product we sell - for free! Our internal team and external sales engineers can answer any product or application question, no matter the complexity.

Backing up this technical ability is a range of 50,000+ products available from stock for nationwide next day delivery (same day if required!), or you can collect what you need from any of our trade counters around the UK.

Select your specialist interest below to learn more about how we can help.



Online, In Branch and On the Road - Scattergood & Johnson Ltd, there when you need us.

www.scatts.co.uk