



**Model Number**

**ML4.2-8-H-40-RT/40b/95/110**

Background suppression sensor with 4-pin, M8 x 1 connector

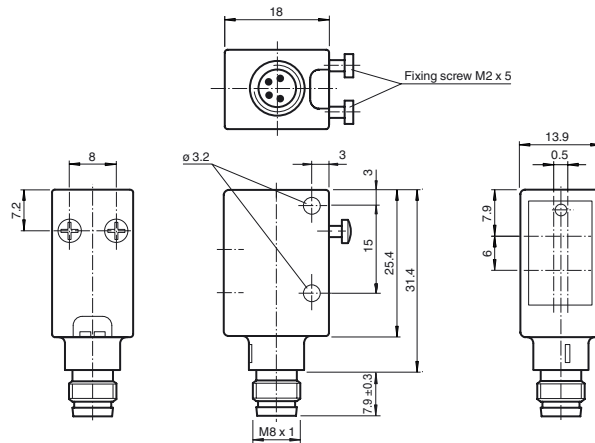
**Features**

- Precise background suppression
- Very small black-white difference
- Small, sharp light spot
- Highly visible LEDs for Power-On, switching status, short-circuit, and undervoltage
- Metal-reinforced fastening holes
- Tamper-proof version with no adjustments
- Push-pull output

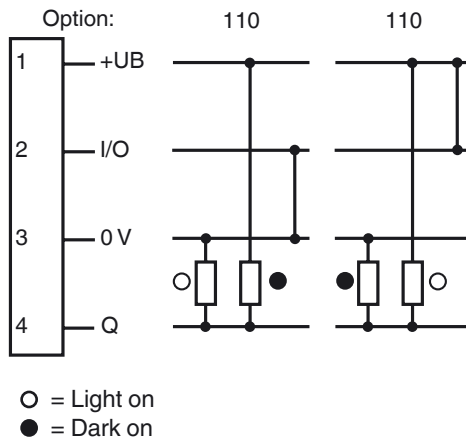
**Product information**

The ML4.2 series is characterized by a robust, powerful and standard design in a miniature housing. The housing offers IP67/IP69K degree of protection, a scratch- and chemical-resistant lens, highly visible LEDs and robust all-metal bushings for mounting. Adjustable and tamper-proof sensors are available with a universal push-pull output and an electrical light ON/dark ON switch. The sensors have a high ambient light limit. Reflections from the background are suppressed. The unusually small, sharp light spot and the quick response time offer maximum switching precision on object edges.. Both red and infrared light sources are available. A high-performance fixed focus background suppressor is a useful feature. The sensors are suitable for precise object detection and open up a wide range of application fields.

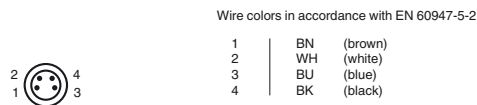
**Dimensions**



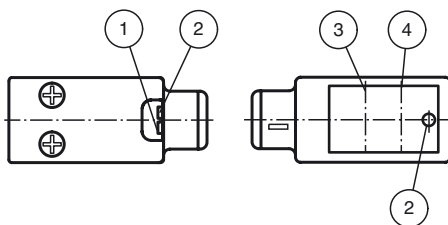
**Electrical connection**



**Pinout**



**Indicators/operating means**



|   |                                   |        |
|---|-----------------------------------|--------|
| 1 | operating display                 | green  |
| 2 | indication of the switching state | yellow |
| 3 | receiver axis                     |        |
| 4 | emitter axis                      |        |

Release date: 2019-11-27 14:15 Date of issue: 2019-11-27 183449\_eng.xml

Refer to "General Notes Relating to Pepperl+Fuchs Product Information".

**Technical data****General specifications**

|                                   |                                      |
|-----------------------------------|--------------------------------------|
| Detection range                   | 10 ... 40 mm                         |
| Detection range max.              | 10 ... 50 mm                         |
| Background suppression            | starts from 50 mm                    |
| Light source                      | LED                                  |
| Light type                        | modulated visible red light , 660 nm |
| Black/White difference (6 %/90 %) | approx. 3 mm                         |
| Diameter of the light spot        | approx. 3 mm at 40 mm                |
| Angle of divergence               | approx. 5 °                          |
| Ambient light limit               |                                      |
| Continuous light                  | 40000 Lux                            |
| Modulated light                   | 5000 Lux                             |

**Functional safety related parameters**

|                                |        |
|--------------------------------|--------|
| MTTF <sub>d</sub>              | 1940 a |
| Mission Time (T <sub>M</sub> ) | 20 a   |
| Diagnostic Coverage (DC)       | 0 %    |

**Indicators/operating means**

|                     |  |
|---------------------|--|
| Operation indicator | LED green, statically lit Power on , Undervoltage indicator: Green LED, pulsing (approx. 0.8 Hz) , short-circuit : LED green flashing (approx. 4 Hz) |
| Function indicator  | LED yellow: lights when object is detected   |

**Electrical specifications**

|                        |                |                |
|------------------------|----------------|----------------|
| Operating voltage      | U <sub>B</sub> | 10 ... 30 V DC |
| Ripple                 |                | 10 %           |
| No-load supply current | I <sub>0</sub> | < 25 mA        |

**Output**

|                     |   |            |
|---------------------|---|------------|
| Switching type      | light/dark on electrically switchable                                 |            |
| Signal output       | Push-pull output, short-circuit protected, reverse polarity protected |            |
| Switching voltage   | max. 30 V DC  |            |
| Switching current   | max. 100 mA   |            |
| Voltage drop        | U <sub>d</sub>  | ≤ 2.5 V DC |
| Switching frequency | f   | 1000 Hz    |
| Response time       |   | 0.5 ms     |

**Conformity**

|                  |              |
|------------------|--------------|
| Product standard | EN 60947-5-2 |
|------------------|--------------|

**Ambient conditions**

|                     |                               |
|---------------------|-------------------------------|
| Ambient temperature | -20 ... 60 °C (-4 ... 140 °F) |
| Storage temperature | -20 ... 75 °C (-4 ... 167 °F) |

**Mechanical specifications**

|                      |                         |
|----------------------|-------------------------|
| Housing width        | 13.9 mm                 |
| Housing height       | 31.4 mm                 |
| Housing depth        | 18 mm                   |
| Degree of protection | IP67 / IP69K            |
| Connection           | M8 x 1 connector, 4-pin |
| Material             |                         |
| Housing              | ABS                     |
| Optical face         | glass pane              |
| Mass                 | approx. 10 g            |

**Compliance with standards and directives**

|                             |  |
|-----------------------------|--|
| Standard conformity         |  |
| Shock and impact resistance | IEC / EN 60068. half-sine, 40 g in each X, Y and Z directions            |
| Vibration resistance        | IEC / EN 60068-2-6. Sinus. 10 -150 Hz, 5 g in each X, Y and Z directions |

**Approvals and certificates**

|               |  |
|---------------|--|
| CE conformity | yes  |
| UL approval   | cULus Listed   |
| CCC approval  | CCC approval / marking not required for products rated ≤36 V |

**Accessories****OMH-4.1**

Mounting Clamp

**OMH-ML6**

Mounting bracket

**OMH-ML6-U**

Mounting bracket

**OMH-ML6-Z**

Mounting bracket

**V31-GM-2M-PVC**

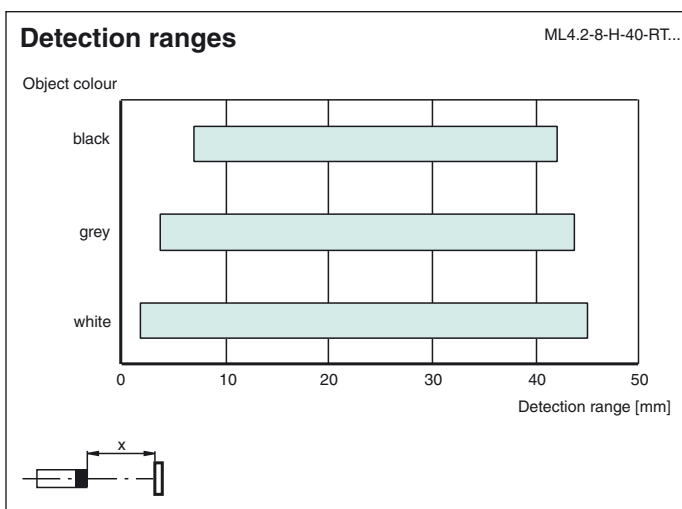
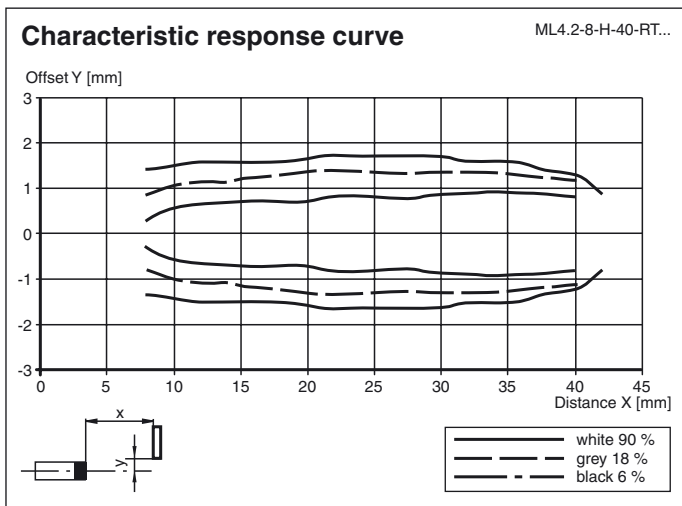
Female cordset single-ended, M8, 4-pin, PVC cable

**V31-WM-2M-PVC**

Female cordset single-ended, M8, 4-pin, PVC cable

Other suitable accessories can be found at [www.pepperl-fuchs.com](http://www.pepperl-fuchs.com)

Curves/Diagrams



Release date: 2019-11-27 14:15 Date of issue: 2019-11-27 183449\_eng.xml

Refer to "General Notes Relating to Pepperl+Fuchs Product Information".



# SCATTERGOOD & JOHNSON LTD

ELECTRICAL ENGINEERING & FLUID CONTROL DISTRIBUTORS

Est.1899

At Scattergood & Johnson Ltd, we pride ourselves on being a technical distributor to specialist industries.

Working with a range of quality product suppliers across a number of specialist markets, we are not your average 'box shifter' - we are your technical and supply chain partner.

We fully support every product we sell - for free! Our internal team and external sales engineers can answer any product or application question, no matter the complexity.

Backing up this technical ability is a range of 50,000+ products available from stock for nationwide next day delivery (same day if required!), or you can collect what you need from any of our trade counters around the UK.

Select your specialist interest below to learn more about how we can help.



Online, In Branch and On the Road - Scattergood & Johnson Ltd, there when you need us.

# [www.scatts.co.uk](http://www.scatts.co.uk)