



**Model Number**

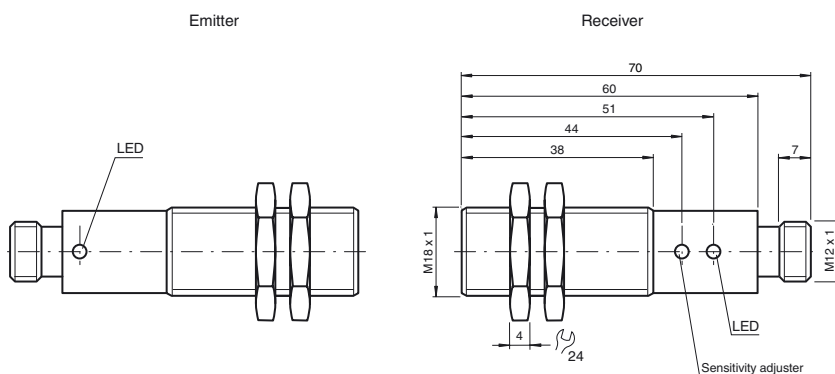
**OBE10M-18GM60-SE5-V1**

Thru-beam sensor  
with 4-pin, M12 x 1 connector

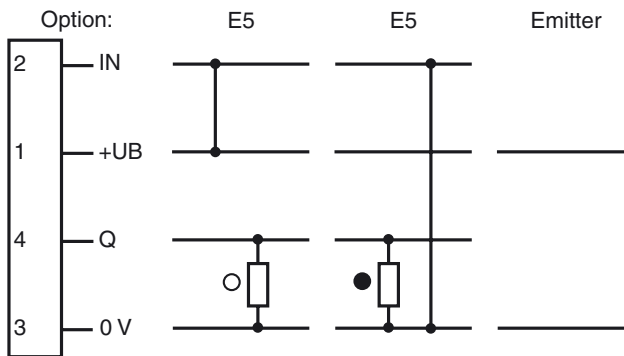
**Features**

- Dual color indication LED
- Light/dark ON, programmable
- Sensitivity adjuster for optimal adaptation to the application
- Degree of protection IP67
- Strong metallic housing in cylindrical shape M18 x 1

**Dimensions**

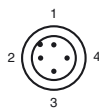


**Electrical connection**



○ = Light on  
● = Dark on

**Pinout**



Wire colors in accordance with EN 60947-5-2

|   |    |         |
|---|----|---------|
| 1 | BN | (brown) |
| 2 | WH | (white) |
| 3 | BU | (blue)  |
| 4 | BK | (black) |

Release date: 2019-11-25 10:14 Date of issue: 2019-11-25 087793\_eng.xml

**Technical data****System components**

|          |                     |
|----------|---------------------|
| Emitter  | OBE10M-18GM60-S-V1  |
| Receiver | OBE10M-18GM60-E5-V1 |

**General specifications**

|                            |  |
|----------------------------|--|
| Effective detection range  | 0 ... 10 m                             |
| Adjustment range           | 0 ... 10000 mm                         |
| Reference target           | receiver                               |
| Light source               | IREDD                                  |
| Light type                 | 880 nm IR light                        |
| Diameter of the light spot | approx. 600 mm at detection range 10 m |
| Ambient light limit        | 10000 Lux                              |

**Indicators/operating means**

|                     |   |
|---------------------|---|
| Operation indicator | LED green (emitter)   |
| Function indicator  | Dual color-LED, yellow/green<br>yellow: switching state<br>green: power on<br>flashing: stability control |
| Control elements    | sensitivity adjustment  |

**Electrical specifications**

|                                |       |                         |
|--------------------------------|-------|-------------------------|
| Operating voltage              | $U_B$ | 10 ... 30 V DC, class 2 |
| Ripple                         |       | 10 %                    |
| No-load supply current         | $I_0$ | ≤ 25 mA (device)        |
| Time delay before availability | $t_v$ | ≤ 25 ms                 |

**Output**

|                     |   |         |
|---------------------|---|---------|
| Switching type      | light/dark on electrically switchable   |         |
| Signal output       | 1 PNP output, short-circuit protected, reverse polarity protected, open collector |         |
| Switching voltage   | max. 30 V DC  |         |
| Switching current   | max. 100 mA   |         |
| Voltage drop        | $U_d$   | ≤ 2.5 V |
| Switching frequency | $f$   | 500 Hz  |
| Response time       |   | 1 ms    |

**Conformity**

|                  |              |
|------------------|--------------|
| Product standard | EN 60947-5-2 |
|------------------|--------------|

**Standard conformity**

|             |        |
|-------------|--------|
| Standards 2 | UL 508 |
|-------------|--------|

**Ambient conditions**

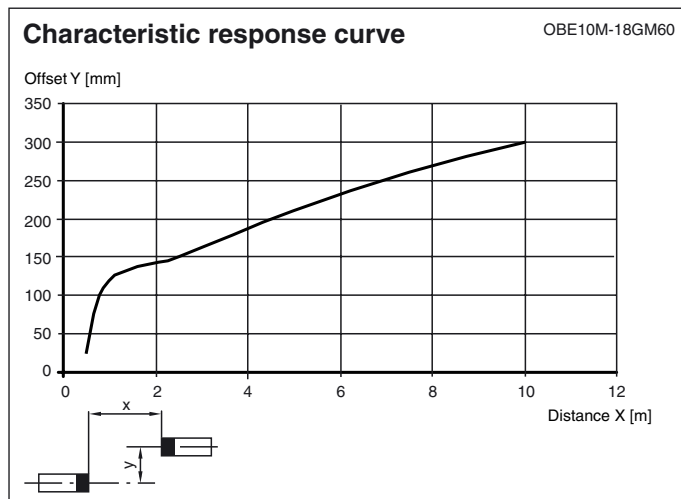
|                     |                                |
|---------------------|--------------------------------|
| Ambient temperature | -25 ... 55 °C (-13 ... 131 °F) |
| Storage temperature | -40 ... 70 °C (-40 ... 158 °F) |

**Mechanical specifications**

|                      |                          |
|----------------------|--------------------------|
| Degree of protection | IP67                     |
| Connection           | 4-pin, M12 x 1 connector |
| Material             |                          |
| Housing              | brass, nickel-plated     |
| Optical face         | PC                       |
| Mass                 | 45 g per device          |

**Approvals and certificates**

|              |  |
|--------------|--|
| UL approval  | cULus Listed, Type 1 enclosure   |
| CCC approval | CCC approval / marking not required for products rated ≤36 V                               |
| Approvals    | CE, cULus Listed 57M3 (Only in association with UL Class 2 power supply; Type 1 enclosure) |

**Curves/Diagrams****Accessories****CPZ18B03**

Mounting Bracket with swivel nut

**BF 18**

Mounting flange, 18 mm

**BF 18-F**

Plastic mounting adapter, 18 mm

**BF 5-30**

Universal mounting bracket for cylindrical sensors with a diameter of 5 ... 30 mm

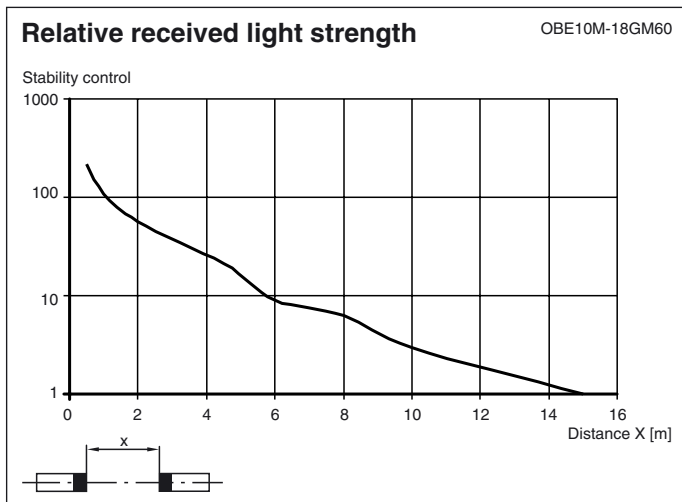
**V1-G-2M-PUR**

Female cordset, M12, 4-pin, PUR cable

**V1-W-2M-PUR**

Female cordset, M12, 4-pin, PUR cable

Other suitable accessories can be found at [www.pepperl-fuchs.com](http://www.pepperl-fuchs.com)



Release date: 2019-11-25 10:14 Date of issue: 2019-11-25 087793\_eng.xml

Refer to "General Notes Relating to Pepperl+Fuchs Product Information".

Pepperl+Fuchs Group  
www.pepperl-fuchs.com

USA: +1 330 486 0001  
fa-info@us.pepperl-fuchs.com

Germany: +49 621 776 1111  
fa-info@de.pepperl-fuchs.com

Singapore: +65 6779 9091  
fa-info@sg.pepperl-fuchs.com



# SCATTERGOOD & JOHNSON LTD

ELECTRICAL ENGINEERING & FLUID CONTROL DISTRIBUTORS

Est.1899

At Scattergood & Johnson Ltd, we pride ourselves on being a technical distributor to specialist industries.

Working with a range of quality product suppliers across a number of specialist markets, we are not your average 'box shifter' - we are your technical and supply chain partner.

We fully support every product we sell - for free! Our internal team and external sales engineers can answer any product or application question, no matter the complexity.

Backing up this technical ability is a range of 50,000+ products available from stock for nationwide next day delivery (same day if required!), or you can collect what you need from any of our trade counters around the UK.

Select your specialist interest below to learn more about how we can help.



Online, In Branch and On the Road - Scattergood & Johnson Ltd, there when you need us.

# [www.scatts.co.uk](http://www.scatts.co.uk)