



Model Number

OMH-RL31-06

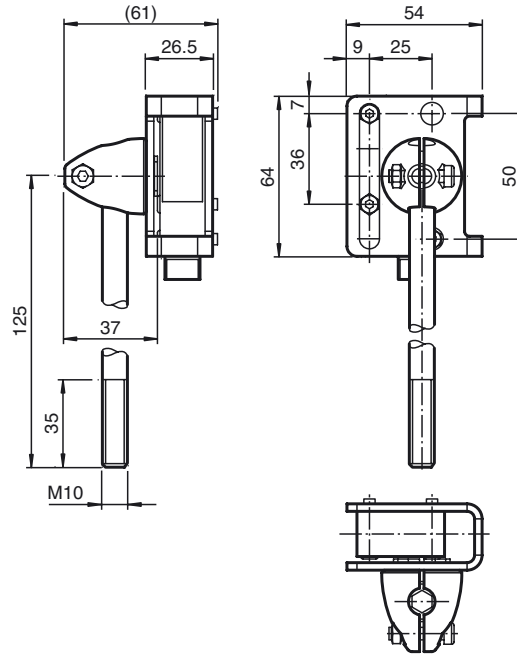
Stainless steel mounting bracket with adjustable half clamp on the side

Features

- Mounting bracket
- Simple and fast mounting
- Fixed setting

Mounting bracket for series 31 sensors

Dimensions



Technical data

Mechanical specifications

Material	Stainless steel, zinc plated steel, diecast zinc
Mass	approx. 303 g
Mounting	Mounting accessories included

Suitable series

Series	Series 31
--------	-----------

Release date: 2019-06-03 14:49 Date of issue: 2019-06-03 215236_eng.xml

Refer to "General Notes Relating to Pepperl+Fuchs Product Information".

Pepperl+Fuchs Group
www.pepperl-fuchs.com

USA: +1 330 486 0001
fa-info@us.pepperl-fuchs.com

Germany: +49 621 776 4411
fa-info@de.pepperl-fuchs.com

Singapore: +65 6779 9091
fa-info@sg.pepperl-fuchs.com



SCATTERGOOD & JOHNSON LTD

ELECTRICAL ENGINEERING & FLUID CONTROL DISTRIBUTORS

Est.1899

At Scattergood & Johnson Ltd, we pride ourselves on being a technical distributor to specialist industries.

Working with a range of quality product suppliers across a number of specialist markets, we are not your average 'box shifter' - we are your technical and supply chain partner.

We fully support every product we sell - for free! Our internal team and external sales engineers can answer any product or application question, no matter the complexity.

Backing up this technical ability is a range of 50,000+ products available from stock for nationwide next day delivery (same day if required!), or you can collect what you need from any of our trade counters around the UK.

Select your specialist interest below to learn more about how we can help.



Online, In Branch and On the Road - Scattergood & Johnson Ltd, there when you need us.

www.scatts.co.uk