

Model Number

KCD2-E3

Sensor output interface terminal

Features

- 1-channel terminal amplifier
- NAMUR sensor input
- DC 24 V supply voltage
- Standard interface for prevention of signal transmission errors
- Switching status indicator, yellow LED
- Short-circuit proof electronic output
- Low noise sensitivity
- Compact terminal housing
- Clips onto standard 35 mm rail to DIN EN 50 022
- Degree of protection IP20

Technical data

Functional safety related parameters

MTTF _d	916 a
-------------------	-------

Indicators/operating means

LED yellow	switch output
------------	---------------

Electrical specifications

Operating voltage	U _B	10 ... 30 V DC
Ripple		≤ 10 %
Operating current	I _B	approx. 22 mA

Input

Connection	terminals 1+, 2-
Connectable sensor types	NAMUR
Pulse length/pulse interval	≥ 0.5 ms / ≥ 0.5 ms
Short-circuit current	approx. 8 mA
Sensor supply	8 V DC
Switching point	1.2 ... 2.1 mA hysteresis approx. 0.2 mA
Line fault detection	without
Trip value	1 kHz

Output

Connection	terminal 4+
Current	200 mA short-circuit protected
Transistor	PNP
Signal level	U _B - 1.1V

Transfer characteristics

Mode of operation	NC contact
Switching frequency	1 kHz

Directive conformity

Electromagnetic compatibility	
Directive 2014/30/EU	EN 61326-1:2013

Standard conformity

Degree of protection	EN 60529:2000
Noise immunity	EN 61326-1:2013

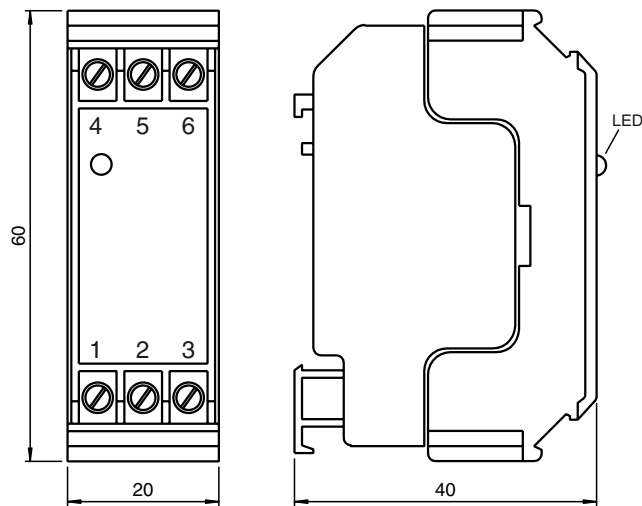
Ambient conditions

Ambient temperature	-25 ... 70 °C (-13 ... 158 °F)
Storage temperature	-25 ... 85 °C (-13 ... 185 °F)

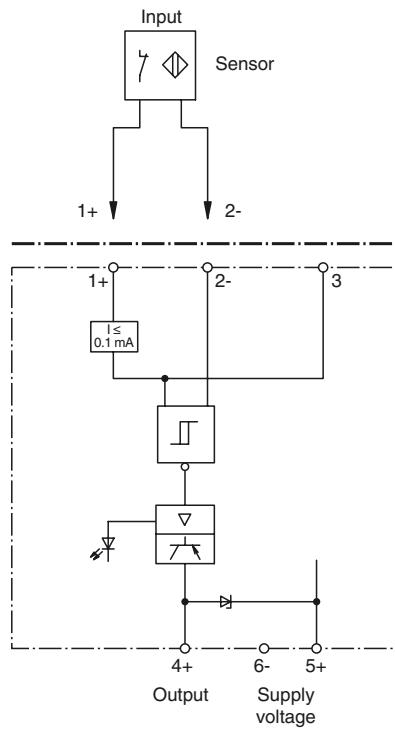
Mechanical specifications

Connection	self-opening apparatus connection terminals, max. core cross-section 0.34 ... 2.5 mm ²
Mass	60 g
Dimensions	20x60x40 (in mm)

Dimensions



Electrical connection



Release date: 2016-09-26 10:48 Date of issue: 2016-09-26 268567_eng.xml



SCATTERGOOD & JOHNSON LTD

ELECTRICAL ENGINEERING & FLUID CONTROL DISTRIBUTORS

Est.1899

At Scattergood & Johnson Ltd, we pride ourselves on being a technical distributor to specialist industries.

Working with a range of quality product suppliers across a number of specialist markets, we are not your average 'box shifter' - we are your technical and supply chain partner.

We fully support every product we sell - for free! Our internal team and external sales engineers can answer any product or application question, no matter the complexity.

Backing up this technical ability is a range of 50,000+ products available from stock for nationwide next day delivery (same day if required!), or you can collect what you need from any of our trade counters around the UK.

Select your specialist interest below to learn more about how we can help.



Online, In Branch and On the Road - Scattergood & Johnson Ltd, there when you need us.

www.scatts.co.uk