

Features

- IS K-System place holder module
- Housing width 20 mm
- Marshalling for field and control side circuits
- Configurable via plug-in jumpers

Function

The place holder barrier is a module for use in cable distribution. It improves accessibility and compactness within a control cabinet.

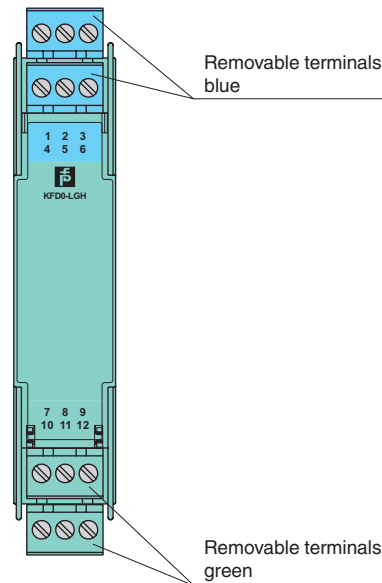
Different configurations are possible by using wire jumpers.

Intrinsically safe circuits can be connected to terminals 1, 2 and 3 or 4, 5 and 6. Terminals 1 to 6 are linked.

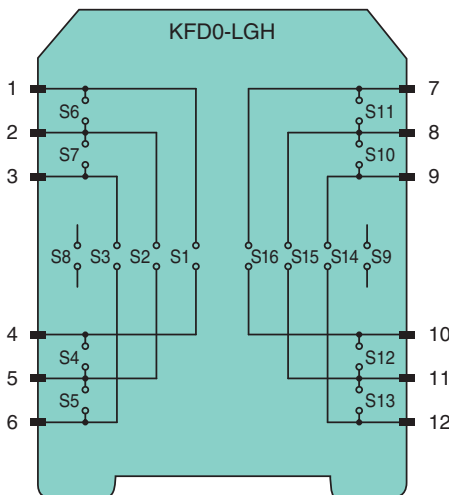
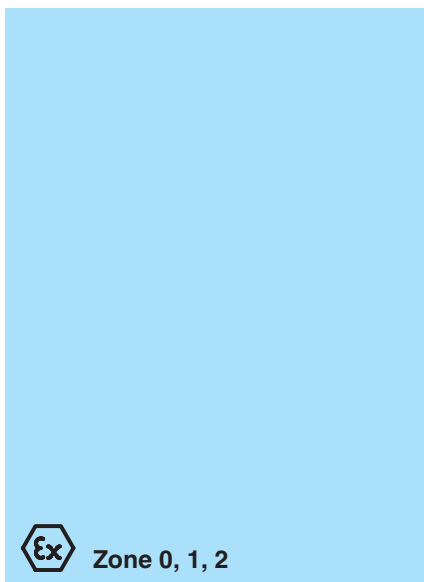
Safe area circuits can be connected to terminals 7, 8 and 9 or 10, 11 and 12.

Assembly

Front view



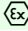
Connection



Zone 2

Release date 2019-11-25 12:04 Date of issue 2019-11-25 034343_eng.xml

Refer to "General Notes Relating to Pepperl+Fuchs Product Information".

Electrical specifications		
Rated voltage	U_r	≤ 50 V
Rated current	I_r	≤ 2 A
Indicators/settings		
Configuration	via plug-in jumpers	
Labeling	space for labeling at the front	
Conformity		
Degree of protection	IEC 60529	
Ambient conditions		
Ambient temperature	-20 ... 60 °C (-4 ... 140 °F)	
Mechanical specifications		
Degree of protection	IP20	
Connection	screw terminals	
Mass	approx. 120 g	
Dimensions	20 x 93 x 115 mm (0.8 x 3.7 x 4.5 inch) , housing type B1	
Mounting	on 35 mm DIN mounting rail acc. to EN 60715:2001	
Data for application in connection with hazardous areas		
Certificate	PF 08 CERT 1214 X	
Marking	 II 3G Ex nA IIC T4 Gc	
Directive conformity		
Directive 2014/34/EU	EN 60079-0:2012+A11:2013 , EN 60079-15:2010	
General information		
Supplementary information	Observe the certificates, declarations of conformity, instruction manuals, and manuals where applicable. For information see www.pepperl-fuchs.com .	



SCATTERGOOD & JOHNSON LTD

ELECTRICAL ENGINEERING & FLUID CONTROL DISTRIBUTORS

Est.1899

At Scattergood & Johnson Ltd, we pride ourselves on being a technical distributor to specialist industries.

Working with a range of quality product suppliers across a number of specialist markets, we are not your average 'box shifter' - we are your technical and supply chain partner.

We fully support every product we sell - for free! Our internal team and external sales engineers can answer any product or application question, no matter the complexity.

Backing up this technical ability is a range of 50,000+ products available from stock for nationwide next day delivery (same day if required!), or you can collect what you need from any of our trade counters around the UK.

Select your specialist interest below to learn more about how we can help.



Online, In Branch and On the Road - Scattergood & Johnson Ltd, there when you need us.

www.scatts.co.uk