

Features

- IS K-System place holder module
- Housing width 20 mm
- Marshalling for field and control side circuits
- Configurable via plug-in jumpers

Function

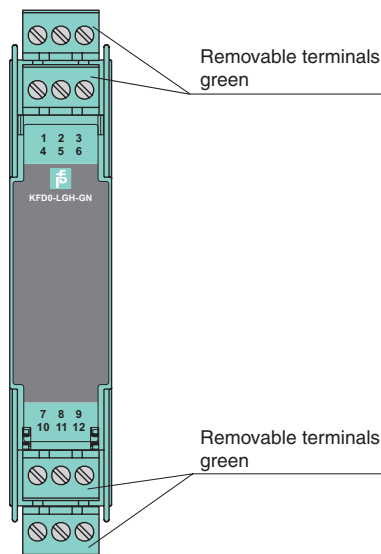
This place holder barrier is a module for use in cable distribution cables. It improves accessibility and compactness within a control cabinet.

Different configurations are possible by using wire jumpers.

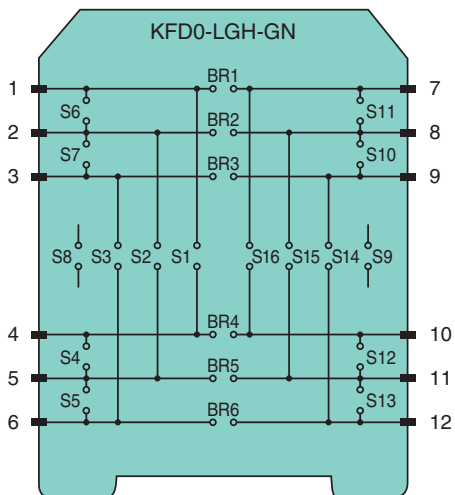
Safe area circuits can be connected to the terminals.

Assembly

Front view



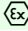
Connection



Zone 2

Release date 2019-11-25 12:03 Date of issue 2019-11-25 12:03 126984_eng.xml

Refer to "General Notes Relating to Pepperl+Fuchs Product Information".

Electrical specifications		
Rated voltage	U_r	≤ 50 V
Rated current	I_r	≤ 2 A
Indicators/settings		
Configuration		via plug-in jumpers
Labeling		space for labeling at the front
Conformity		
Degree of protection		IEC 60529
Ambient conditions		
Ambient temperature		-20 ... 60 °C (-4 ... 140 °F)
Mechanical specifications		
Degree of protection		IP20
Connection		screw terminals
Mass		approx. 120 g
Dimensions		20 x 107 x 115 mm (0.8 x 4.2 x 4.5 inch) , housing type B1
Mounting		on 35 mm DIN mounting rail acc. to EN 60715:2001
Data for application in connection with hazardous areas		
Certificate		PF 08 CERT 1214 X
Marking		 II 3G Ex nA IIC T4 Gc
Directive conformity		
Directive 2014/34/EU		EN 60079-0:2012+A11:2013 , EN 60079-15:2010
General information		
Supplementary information		Observe the certificates, declarations of conformity, instruction manuals, and manuals where applicable. For information see www.pepperl-fuchs.com .



SCATTERGOOD & JOHNSON LTD

ELECTRICAL ENGINEERING & FLUID CONTROL DISTRIBUTORS

Est.1899

At Scattergood & Johnson Ltd, we pride ourselves on being a technical distributor to specialist industries.

Working with a range of quality product suppliers across a number of specialist markets, we are not your average 'box shifter' - we are your technical and supply chain partner.

We fully support every product we sell - for free! Our internal team and external sales engineers can answer any product or application question, no matter the complexity.

Backing up this technical ability is a range of 50,000+ products available from stock for nationwide next day delivery (same day if required!), or you can collect what you need from any of our trade counters around the UK.

Select your specialist interest below to learn more about how we can help.



Online, In Branch and On the Road - Scattergood & Johnson Ltd, there when you need us.

www.scatts.co.uk