



Model Number

KFU8-FSSP-1.D

Frequency voltage current converter
40 kHz version

Features

- Limit frequency 40 kHz
- Voltage or current output
- Incrementing output (Spacing factor 1 ... 9999)
- Multi-range power pack
- 2-, 3-, 4-wire and NAMUR sensors as well as rotary encoder connectable
- Auxiliary power output for sensors
- Connection via Power Rail
- Period measurement
- Display: Input in Hz or 1/min, output in V or mA
- adjustable updating of indication (0,001 ... 2,5 s)

Technical data

Functional safety related parameters

MTTF _d	100 a
-------------------	-------

Supply

Rated voltage	U _r	200 ... 230 V AC ; 100 ... 130 V AC; 50 Hz 20 VDC ... 30 VDC
Fusing		external fusing 4 A
Power consumption		AC: < 5 VA DC: < 5 W

Indicators/operating means

Type	4-digit, 7-segment red display, 7 mm digit height
Display interval	0.002 ... 9999 Hz or 0.01 ... 9999 min ⁻¹
Parameter assignment	keypad-driven menu

Input 1

Connection	terminals 8-, 9+
Connectable sensor types	NAMUR sensors according to DIN EN 60947-5-6
Open loop voltage	8.2 V DC
Short-circuit current	6.5 mA
Switching point	1.2 ... 2.1 mA Switching hysteresis approx. 0.2 mA
Impedance	1.2 kOhm

Input 2

Switching point	high: 16 ... 30 V DC; max. 10 mA; R _i ≅ 3 kOhm low: 0 ... 6 V DC
Connection	terminals 7+, 13- sensor supply terminals 14, 15 NPN/PNP input (galvanically isolated)
Connectable sensor types	2-, 3-, or 4-wire proximity switches and incremental rotary encoder
Sensor supply	19 ... 28 V DC non-stabilised; ≤ 30 mA short-circuit protected

Output

Analog voltage output	0 ... 10 V DC; 2 ... 10 V DC; 30 mA max.; resolution: 12 mV; R _i ≥ 330 Ω (terminal 5+, 6-)
Analog current output	0 ... 20 mA; 4 ... 20 mA; resolution: 25 µA; R _i ≤ 600 Ω (terminal 4-, 5+)
Digital incrementing	≥ (U _b - 3 V), 20 mA, short-circuit proof (Terminals 1-, 2+) with frequency division F _{in} /1 ... F _{in} /9999

Transfer characteristics

Input frequency	≤ 40000 Hz, pulse pause/pulse length: ≥ 12 µs
Deviation	≤ 0.2 % of full-scale value
Changing interval	5 ms (Internal processing time)

Standard conformity

Electromagnetic compatibility	acc. to EN 50081-2 / EN 50082-2
-------------------------------	---------------------------------

Ambient conditions

Ambient temperature	-25 ... 40 °C (-13 ... 104 °F)
Storage temperature	-40 ... 85 °C (-40 ... 185 °F)
Relative humidity	max. 80 %, not condensing
Altitude	0 ... 2000 m
Operating conditions	The device has only to be used in an indoor area.

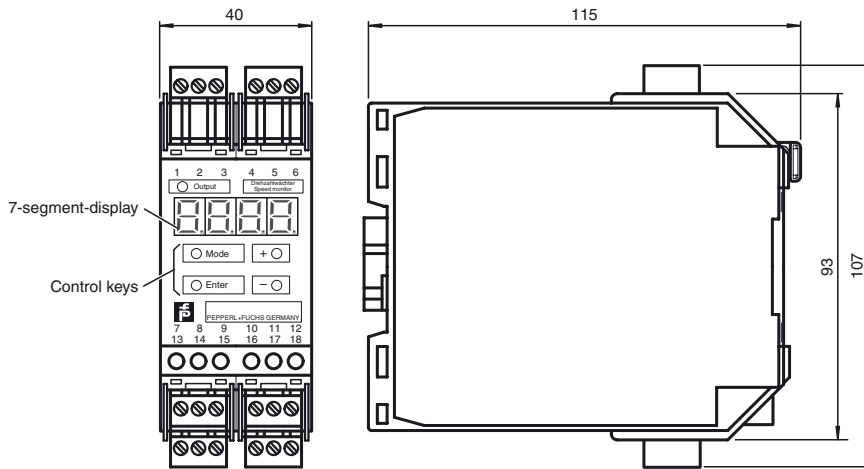
Mechanical specifications

Connection assembly	Caution: Please be aware that the device may only be connected to a switchable power supply. The switch or circuit breaker must be easy to reach and identified as the separator for the device.
Degree of protection	IP20
Connection	coded, removable terminals, max. core cross section 0.34 ... 2.5 mm ²
Construction type	modular terminal housing in Makrolon, System KF For use in the switch cabinet/switch cabinet module
Mounting	snap-on to 35 mm standard rail or screw fixing

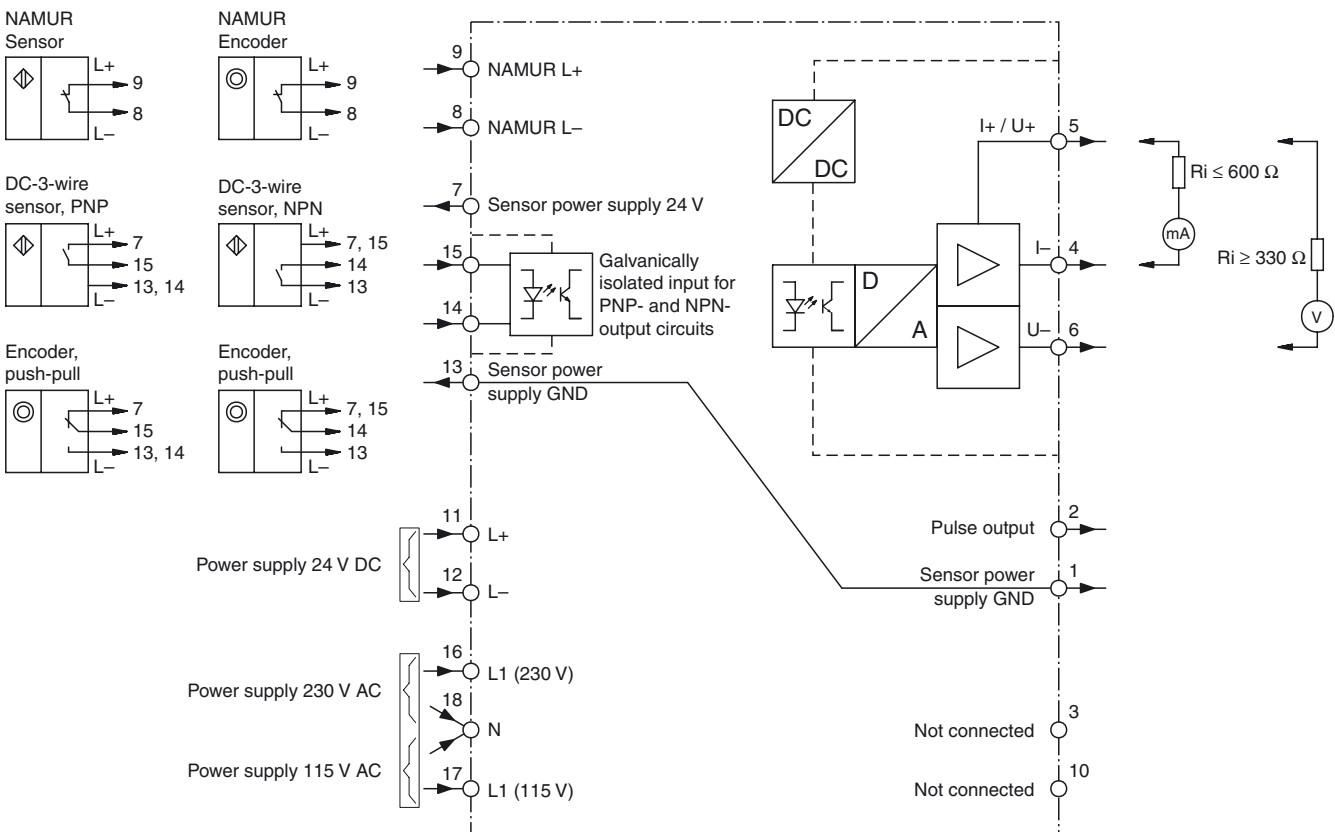
Release date: 2017-01-03 10:43 Date of issue: 2017-01-03 181191_eng.xml

Refer to "General Notes Relating to Pepperl+Fuchs Product Information".

Dimensions



Electrical connection



Release date: 2017-01-03 10:43 Date of issue: 2017-01-03 181191_eng.xml

Function

The KFU8-FSSP-1.D frequency-voltage/current converter is a device for displaying and monitoring periodic signals, which occur in almost all areas of the automation and processing industry, i.e. frequencies in general and rotational speeds in particular.

Input pulses are evaluated according to the cycle method, i.e. by measurement of the periodicity, and are converted into a frequency or rotational speed by a μ controller. Depending on the measurement range value selected, the μ controller calculates a voltage or current value proportionate to the input frequency and exports this value via a digital-analog converter.

The following analogue signals are available for selection: 0 V ... 10 V, 2 V ... 10 V, 0 mA ... 20 mA, 4 mA ... 20 mA.

The serially switched output provides the input frequency which can be subdivided by the adjustable factor (1 ... 9999).

Special consideration was given to the frequently occurring special case of rotational speed measurement during the development of the device.

This makes it possible for the display and inputs to be either Hz or in min^{-1} .

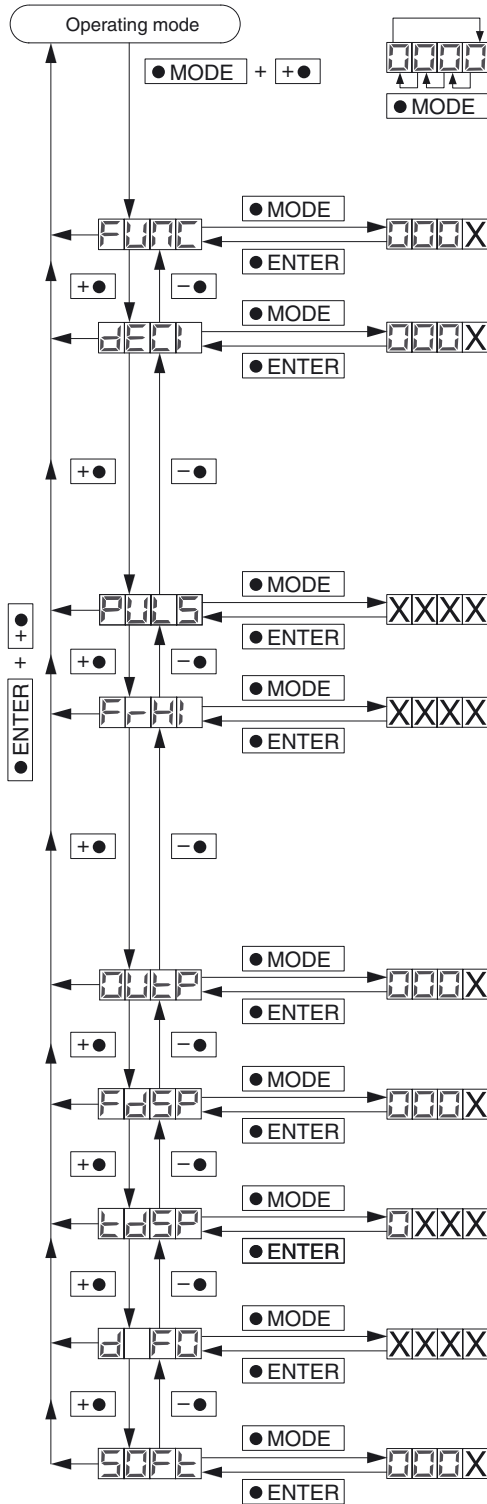
In addition, in applications with signal encoders that return multiple pulses per revolution, it is possible to operate automatically at the actual speed of the drive by assigning the number (1 ... 1200).

The frequency/voltage/current converter is supplied with 115 V AC, 230 V AC or 24 V DC. When it is connected with alternating voltage it provides an unbalanced 24-VDC source of power for the signal encoder.

All commonly available two- three- or four-wire proximity switches and incremental encoders on the input galvanically separated by an optical coupler are accepted as a signal source. In addition, two terminals are reserved for connecting proximity switches or incremental encoders in accordance with DIN 19234 (NAMUR).

The input signal frequency in Hz or the speed in min^{-1} - or the output signal voltage in V or current in mA - appears in a 4-place 7-segment LED display on the front of the device. Parameters can be set with 4 buttons underneath the display.

Function description



Function selection:
 X=0: Frequency measurement 0.002 Hz...9999 Hz
 X=1: Speed measurement 0.01 min⁻¹...9999 min⁻¹
 Factory set: X = 1

Display and measurement range:
 0 ≤ X ≤ 3 at frequency measurement
 0 ≤ X ≤ 2 at speed measurement
 Factory set: X = 0

X	Frequency [Hz]	Speed [min ⁻¹]
0000	0 ... 9999	
000.1	0 ... 999.9	
00.02	0 ... 99.99	
0.003	0 ... 9.999	-

Signal divider:
 Number of signals per rotation
 (is ignored during frequency measurement)
 1 ≤ XXXX ≤ 1200, Factory set: XXXX = 1

Measurement range final value:
 Frequency or speed, by which 10 V or 20 mA are applied to the analog output.
 0 ≤ XXXX ≤ 9999, Factory set: XXXX = 9999
 Teach in of the current frequency or speed value as a measurement range final value by pressing the "MODE" button and then the "ENTER" button.

X	Analog output
0	0 V ... 10 V
1	2 V ... 10 V
2	0 mA ... 20 mA
3	4 mA ... 20 mA

Factory set: X = 0

Display:
 X=0: Frequency or speed
 X=1: Voltage display or current display
 Factory set: X = 0

Display rate:
 0.01 s ≤ X.XX ≤ 2.5 s
 Factory set: X.XX = 0.33 s

Division factor for pulse output:
 1 ≤ XXXX ≤ 9999
 Factory set: XXXX = 1

Software-version number:
 Can only be read.

Release date: 2017-01-03 10:43 Date of issue: 2017-01-03 181191_eng.xml



SCATTERGOOD & JOHNSON LTD

ELECTRICAL ENGINEERING & FLUID CONTROL DISTRIBUTORS

Est.1899

At Scattergood & Johnson Ltd, we pride ourselves on being a technical distributor to specialist industries.

Working with a range of quality product suppliers across a number of specialist markets, we are not your average 'box shifter' - we are your technical and supply chain partner.

We fully support every product we sell - for free! Our internal team and external sales engineers can answer any product or application question, no matter the complexity.

Backing up this technical ability is a range of 50,000+ products available from stock for nationwide next day delivery (same day if required!), or you can collect what you need from any of our trade counters around the UK.

Select your specialist interest below to learn more about how we can help.



Online, In Branch and On the Road - Scattergood & Johnson Ltd, there when you need us.

www.scatts.co.uk