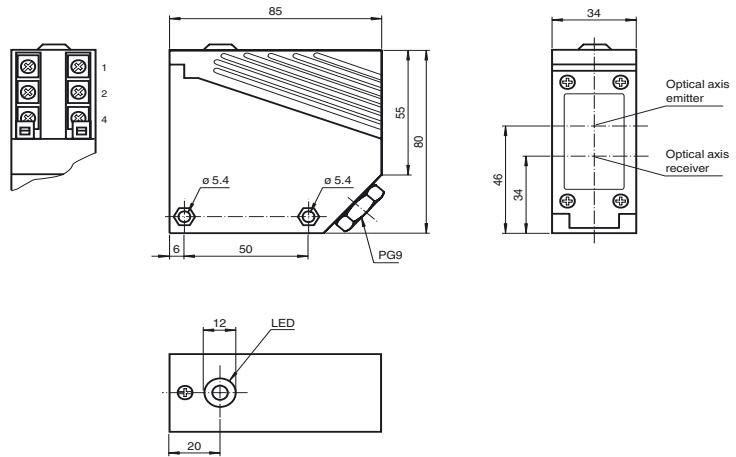




Dimensions



Model Number

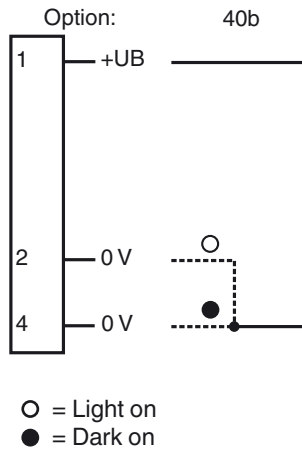
RL36-55-Ex/40b/116

NAMUR retroreflective sensor, large housing design, 8 m detection range, red light, light/dark on, DC version, NAMUR output, terminal compartment

Features

- ATEX approval for zone 1 (Gas)
- Intrinsically safe, Ex op is ia IIC T4 Gb
- Resistant against noise
- Glare protected with polarization filter
- Scratch resistant mineral glass lens

Electrical connection



Release date: 2016-07-06 14:38 Date of issue: 2018-04-06 106531_eng.xml

Technical data

General specifications

Effective detection range	0 ... 8 m
Reflector distance	800 ... 8000 mm
Threshold detection range	11.5 m
Reference target	H85 reflector
Light source	LED
Light type	modulated visible red light , 660 nm
Polarization filter	yes
Ambient light limit	≤ 10000 Lux sun light ≤ 7500 Lux halogen light

Functional safety related parameters

MTTF _d	1319 a
Mission Time (T _M)	20 a
Diagnostic Coverage (DC)	0 %

Indicators/operating means

Function indicator	LED yellow: switching state
Control elements	sensitivity adjustment

Electrical specifications

Operating voltage	U _B	6 ... 20 V DC (R _i approx. 0 Ohm)
Ripple		5 %
Time delay before availability	t _v	20 ms

Output

Switching type	light/dark on, programmable
Signal output	1 NAMUR output NC/NO programmable
Switching voltage	8 V DC (R _i approx. 1 kΩ)
Switching frequency	f ≤ 100 Hz

Current consumption

Reference target detected	connection 1, 2: ≥ 2.2 mA connection 1, 4: ≤ 1 mA
Reference target not detected	connection 1, 2: ≤ 1 mA connection 1, 4: ≥ 2.2 mA
Response time	5 ms

Directive conformity

Electromagnetic compatibility	
Directive 2014/30/EU	EN 60947-5-2:2007+A1:2012

Ambient conditions

Ambient temperature	-25 ... 70 °C (-13 ... 158 °F)
Storage temperature	-40 ... 80 °C (-40 ... 176 °F)

Mechanical specifications

Housing width	34 mm
Housing height	85 mm
Housing depth	80 mm
Degree of protection	IP54
Connection	terminal compartment PG9, ≤ 2.5 mm ²
Material	
Housing	PMMA
Optical face	Scratch resistant mineral glass lens
Mass	200 g

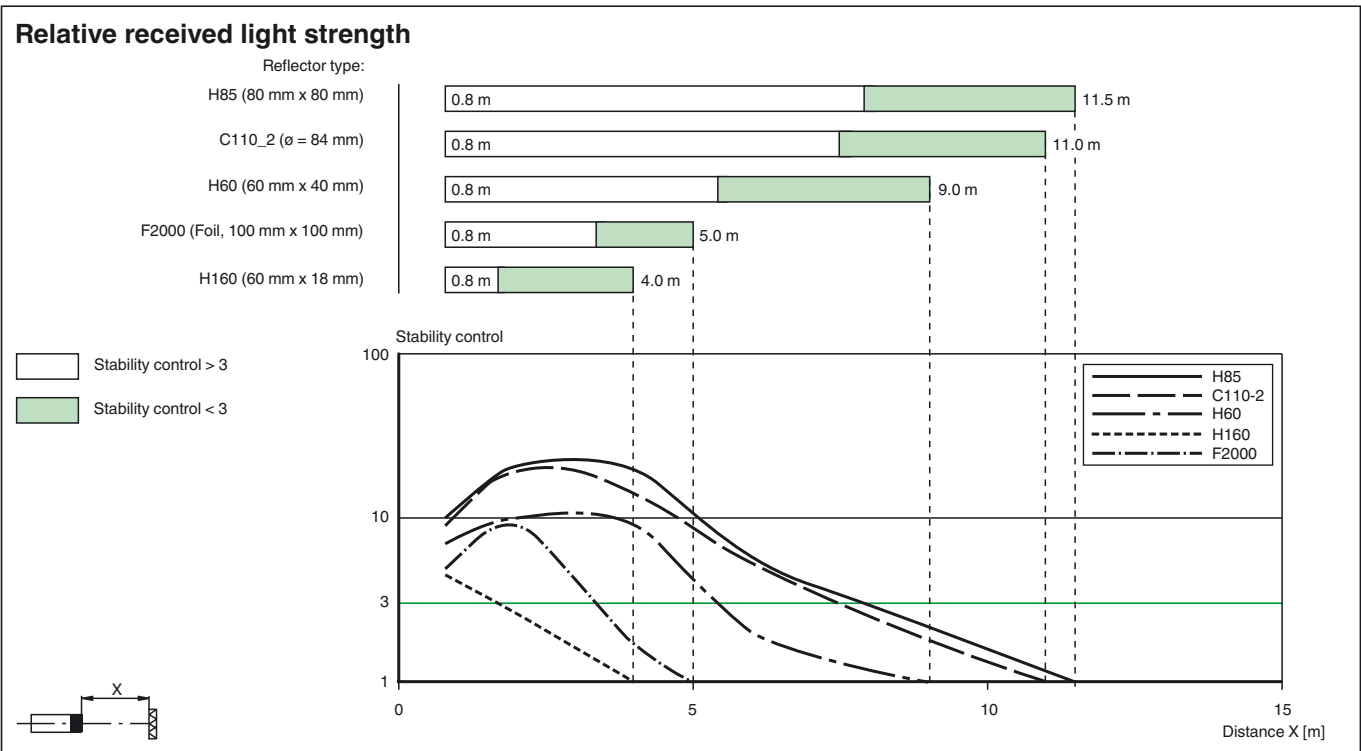
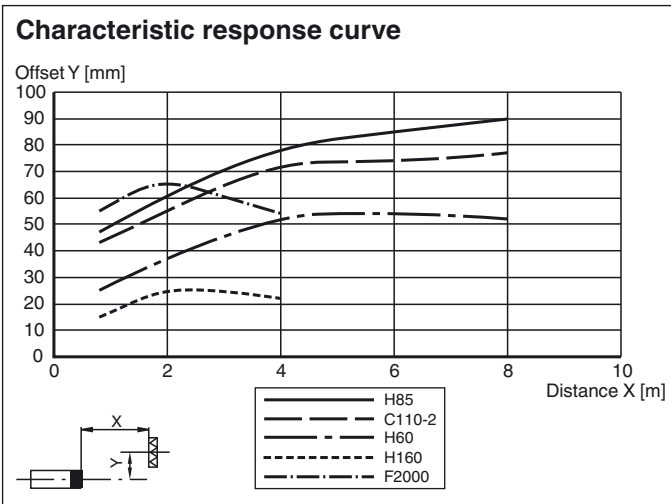
Compliance with standards and directives

Standard conformity	
Product standard	EN 60947-5-2
Standards	EN 60947-5-6:2000

Approvals and certificates

CCC approval	CCC approval / marking not required for products rated ≤36 V
--------------	--------------------------------------------------------------

Curves / Diagrams



Release date: 2016-07-06 14:38 Date of issue: 2018-04-06 106531_eng.xml



SCATTERGOOD & JOHNSON LTD

ELECTRICAL ENGINEERING & FLUID CONTROL DISTRIBUTORS

Est.1899

At Scattergood & Johnson Ltd, we pride ourselves on being a technical distributor to specialist industries.

Working with a range of quality product suppliers across a number of specialist markets, we are not your average 'box shifter' - we are your technical and supply chain partner.

We fully support every product we sell - for free! Our internal team and external sales engineers can answer any product or application question, no matter the complexity.

Backing up this technical ability is a range of 50,000+ products available from stock for nationwide next day delivery (same day if required!), or you can collect what you need from any of our trade counters around the UK.

Select your specialist interest below to learn more about how we can help.



Online, In Branch and On the Road - Scattergood & Johnson Ltd, there when you need us.

www.scatts.co.uk