

Features

- 1-channel signal conditioner
- 24 V DC supply
- Input for 2- or 3-wire sensors or AC/DC voltage sources
- Relay contact output
- Timer function
- Configurable by DIP switches
- Connection via screw terminals

Function

This signal conditioner provides the galvanic isolation between field circuits and control circuits.

The device transmits the status of 2- and 3-wire sensors to the relay output.

The device has an input for the following digital signals:

- Mechanical contacts
- 2-wire sensors (NAMUR, SN, DC, SO)
- 3-wire sensors (NPN, PNP, push-pull)
- AC/DC voltage sources

The input is reverse polarity protected and short-circuit proofed.

The connected sensors can also be supplied externally.

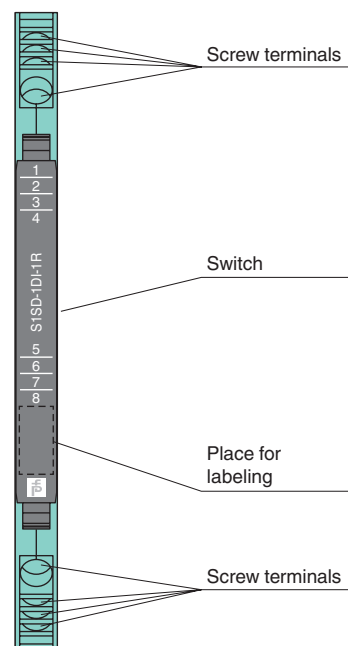
The device has an adjustable on delay, an off delay, or an one-shot function for the relay contact output.

The device is easily configured by the use of DIP switches.

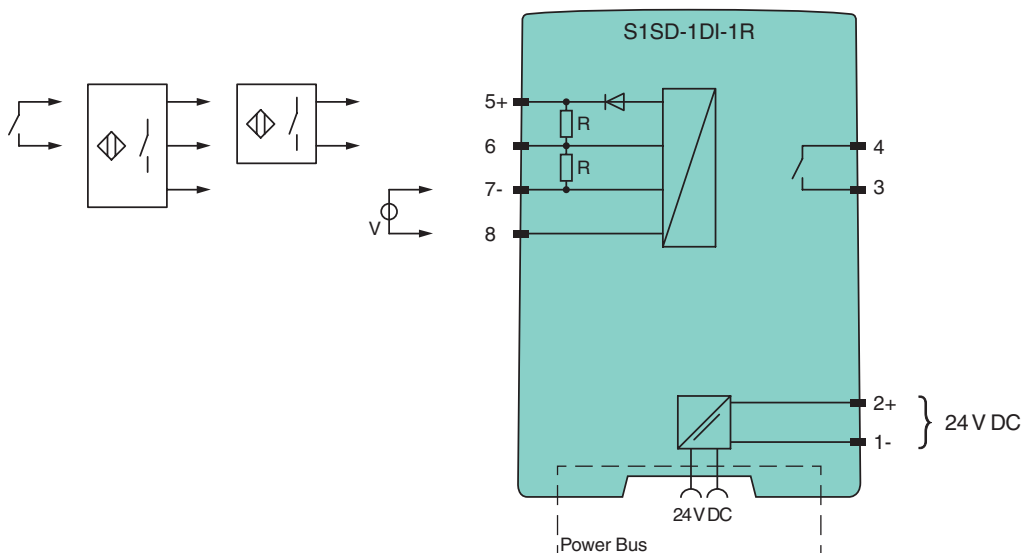
The device can be powered via terminals or Power Bus.

Assembly

Front view



Connection



Release date 2020-01-30 16:13 Date of issue 2020-01-30 276405_eng.xml

Refer to "General Notes Relating to Pepperl+Fuchs Product Information".

Pepperl+Fuchs Group
www.pepperl-fuchs.com

USA: +1 330 486 0002
pa-info@us.pepperl-fuchs.com

Germany: +49 621 776 2222
pa-info@de.pepperl-fuchs.com

Singapore: +65 6779 9091
pa-info@sg.pepperl-fuchs.com

PEPPERL+FUCHS

General specifications	
Signal type	Digital Input
Supply	
Connection	Power Bus or terminals 1-, 2+
Rated voltage U_r	16.8 ... 31.2 V DC
Power dissipation	0.6 W
Power consumption	1.1 W
Input	
Connection side	field side
NAMUR sensor	
Type	2-wire
Connection	terminals 5+, 6
Signal	acc. to EN 60947-5-6 (NAMUR)
Sensor supply	8 V
Open-circuit	< 0.1 mA
Switching point	1.2 ... 2.1 mA
Short-circuit	> 6 mA
Input impedance	1 k Ω
Mechanical contact	
Type	2-wire
Connection	terminals 5+, 6
Sensor supply	15 V
External supply	\leq 32 V
Switching point	8 ... 10 V / 1.2 ... 2.1 mA
Input impedance	4 k Ω
SN sensor	
Type	2-wire
Connection	terminals 5+, 6
Sensor supply	8 V
Open-circuit	< 0.1 mA
Switching point	1.2 ... 2.1 mA
Short-circuit	> 6 mA
Input impedance	1 k Ω
2-wire DC sensor	
Type	2-wire
Connection	terminals 5+, 6
Signal	acc. to EN 60947-5-2
Sensor supply	16 V / 25 mA , short-circuit protected
External supply	\leq 32 V
Switching point	2 ... 5 mA
Input impedance	1 k Ω
S0 sensor	
Type	2-wire
Connection	terminals 5+, 6
Signal	acc. to EN 62053-31 , Type B
Sensor supply	15 V
Switching point	0.15 ... 2 mA
Input impedance	4 k Ω
NPN sensor	
Type	3-wire
Connection	terminals 5+, 6, 7-
Signal	acc. to EN 60947-5-2
Sensor supply	16 V / 25 mA , short-circuit protected
External supply	\leq 32 V
Switching point	3 ... 5 V
Input impedance	4 k Ω
PNP sensor	
Type	3-wire
Connection	terminals 5+, 6, 7-
Signal	acc. to EN 60947-5-2
Sensor supply	16 V / 25 mA , short-circuit protected
External supply	\leq 32 V
Switching point	8 ... 10 V
Input impedance	4 k Ω

Release date 2020-01-30 16:13 Date of issue 2020-01-30 276405_eng.xml

Refer to "General Notes Relating to Pepperl+Fuchs Product Information".

Pepperl+Fuchs Group
www.pepperl-fuchs.com

USA: +1 330 486 0002
pa-info@us.pepperl-fuchs.com

Germany: +49 621 776 2222
pa-info@de.pepperl-fuchs.com

Singapore: +65 6779 9091
pa-info@sg.pepperl-fuchs.com

AC/DC voltage source	
Connection	terminals 7, 8
Signal	24 V AC/DC
Switching point	10 ... 15 V
Input impedance	> 680 kΩ
AC/DC voltage source	
Connection	terminals 7, 8
Signal	115 V AC/DC
Switching point	40 ... 60 V
Input impedance	> 680 kΩ
AC/DC voltage source	
Connection	terminals 7, 8
Signal	230 V AC/DC
Switching point	80 ... 115 V
Input impedance	> 680 kΩ
Output	
Connection side	control side
Connection	terminals 3, 4:
Output	signal, relay
Contact loading	253 V AC/2 A/cos φ > 0.7; 126.5 V AC/2 A/cos φ > 0.7; 30 V DC/2 A resistive load
Minimum switch current	2 mA / 24 V DC
Energized/De-energized delay	≤ 20 ms / ≤ 20 ms
Mechanical life	10 ⁷ switching cycles
Transfer characteristics	
Switching frequency	≤ 10 Hz
Galvanic isolation	
Output/power supply	safe electrical isolation by reinforced insulation according to IEC/EN 61010-1, rated insulation voltage 300 V _{eff} test voltage 3 kV, 50 Hz, 1 min
Input/Other circuits	safe electrical isolation by reinforced insulation according to IEC/EN 61010-1, rated insulation voltage 300 V _{eff} test voltage 3 kV, 50 Hz, 1 min
Indicators/settings	
Control elements	DIP-switch
Configuration	via DIP switches
Labeling	space for labeling at the front
Directive conformity	
Electromagnetic compatibility	
Directive 2014/30/EU	EN 61326-1:2013 (industrial locations)
Low voltage	
Directive 2014/35/EU	EN 61010-1:2010
Conformity	
Degree of protection	IEC 60529:2001
Protection against electrical shock	EN 61010-1:2010
Ambient conditions	
Ambient temperature	-25 ... 70 °C (-13 ... 158 °F)
Storage temperature	-40 ... 85 °C (-40 ... 185 °F)
Damaging gas	designed for operation in environmental conditions acc. to ISA-S71.04-1985, severity level G3
Mechanical specifications	
Degree of protection	IP20
Connection	screw terminals
Core cross-section	0.5 ... 2.5 mm ² (20 ... 14 AWG)
Mass	approx. 60 g
Dimensions	6.2 x 97 x 107 mm (0.24 x 3.82 x 4.21 inch) , housing type S1
Mounting	on 35 mm DIN mounting rail acc. to EN 60715:2001
General information	
Supplementary information	Observe the certificates, declarations of conformity, instruction manuals, and manuals where applicable. For information see www.pepperl-fuchs.com .
Accessories	
Optional accessories	power feed module S1SD-2PF Power Bus POWERBUS-SETL5.*** Power Bus POWERBUS-SETH5.*** cover for DIN mounting rail POWERBUS-COV.250 end cap POWERBUS-CAP

Release date 2020-01-30 16:13 Date of issue 2020-01-30 276405_eng.xml

Refer to "General Notes Relating to Pepperl+Fuchs Product Information".

Pepperl+Fuchs Group
www.pepperl-fuchs.comUSA: +1 330 486 0002
pa-info@us.pepperl-fuchs.comGermany: +49 621 776 2222
pa-info@de.pepperl-fuchs.comSingapore: +65 6779 9091
pa-info@sg.pepperl-fuchs.com

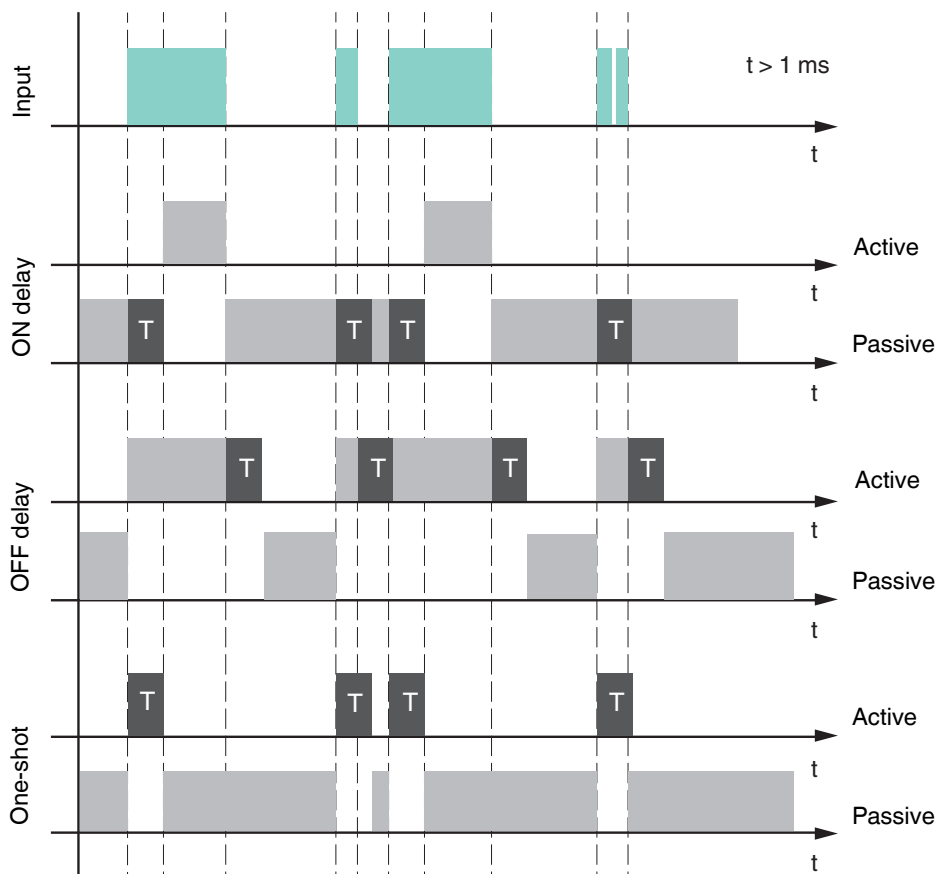
DOWNLOADED FROM WWW.SCATTIS.CO.UK

Configuration

Switch settings

Switch	S									
	1	2	3	4	5	6	7	8	9	10
Sensor										
NAMUR/SN sensor										
PNP sensor/mechanical contact/push-pull	ON									
2-wire DC sensor		ON								
NPN sensor	ON	ON								
S0 sensor			ON							
AC sources										
24 V	ON		ON							
120 V		ON	ON							
230 V	ON	ON	ON							
Output										
Not inverted										
Inverted ON				ON						
Timer										
Timer off										
On delay					ON					
Off delay				ON		ON				
One-shot				ON		ON				
Time T										
0.5 s										
1 s						ON				
5 s							ON			
10 s						ON	ON			

Timer function



Release date 2020-01-30 16:13 Date of issue 2020-01-30 276405_eng.xml

Refer to "General Notes Relating to Pepperl+Fuchs Product Information".

Pepperl+Fuchs Group
www.pepperl-fuchs.com

USA: +1 330 486 0002
pa-info@us.pepperl-fuchs.com

Germany: +49 621 776 2222
pa-info@de.pepperl-fuchs.com

Singapore: +65 6779 9091
pa-info@sg.pepperl-fuchs.com

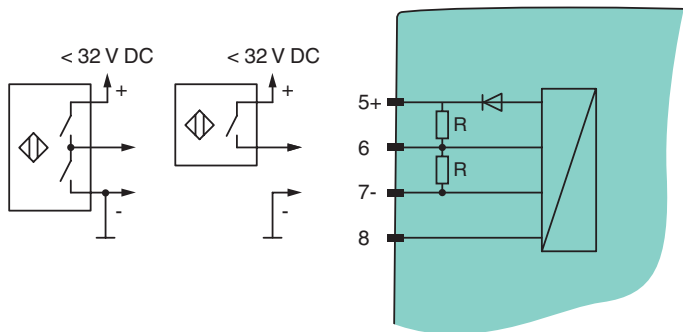
PEPPERL+FUCHS



Connection

External Supply

For mechanical contacts, 2-wire DC sensors and 3-wire sensors



Release date 2020-01-30 16:13 Date of issue 2020-01-30 276405_eng.xml

Refer to "General Notes Relating to Pepperl+Fuchs Product Information".

Pepperl+Fuchs Group
www.pepperl-fuchs.com

USA: +1 330 486 0002
pa-info@us.pepperl-fuchs.com

Germany: +49 621 776 2222
pa-info@de.pepperl-fuchs.com

Singapore: +65 6779 9091
pa-info@sg.pepperl-fuchs.com



SCATTERGOOD & JOHNSON LTD

ELECTRICAL ENGINEERING & FLUID CONTROL DISTRIBUTORS

Est.1899

At Scattergood & Johnson Ltd, we pride ourselves on being a technical distributor to specialist industries.

Working with a range of quality product suppliers across a number of specialist markets, we are not your average 'box shifter' - we are your technical and supply chain partner.

We fully support every product we sell - for free! Our internal team and external sales engineers can answer any product or application question, no matter the complexity.

Backing up this technical ability is a range of 50,000+ products available from stock for nationwide next day delivery (same day if required!), or you can collect what you need from any of our trade counters around the UK.

Select your specialist interest below to learn more about how we can help.



Online, In Branch and On the Road - Scattergood & Johnson Ltd, there when you need us.

www.scatts.co.uk