



**Model Number**

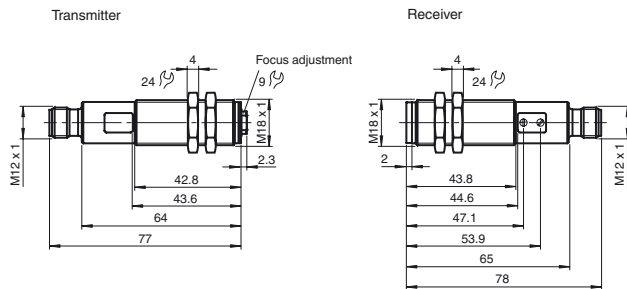
**VS18/VSE18-M-LAS/40a/76a/118/128**

Thru-beam sensor  
with 4-pin, M12 x 1 connector

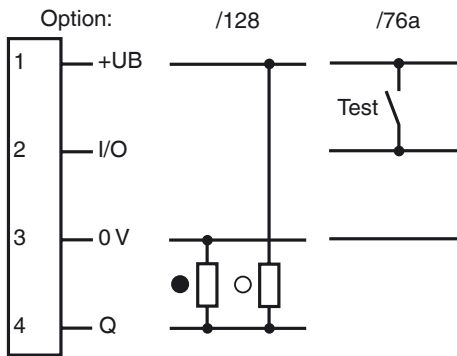
**Features**

- M18 threaded housing made of brass, nickel plated
- Detection of very small parts in the near range
- Visible red light, pulsed LASER light
- Focusable optical system
- Array control panel with highly visible LED display
- Flashing power on LED in case of short-circuit

**Dimensions**

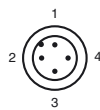


**Electrical connection**



○ = Light on  
● = Dark on

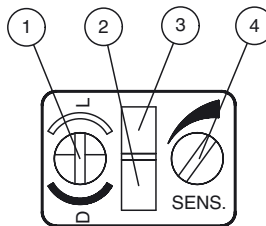
**Pinout**



Wire colors in accordance with EN 60947-5-2

1	BN	(brown)
2	WH	(white)
3	BU	(blue)
4	BK	(black)

**Indicators/operating means**



1	Light/dark switch
2	Operating display <span style="color: green;">green</span>
3	Switch state <span style="color: yellow;">yellow</span>
4	Sensitivity adjustment

Release date: 2019-11-25 10:14 Date of issue: 2019-11-25 800201\_eng.xml

Refer to "General Notes Relating to Pepperl+Fuchs Product Information".

Pepperl+Fuchs Group  
www.pepperl-fuchs.com

USA: +1 330 486 0001  
fa-info@us.pepperl-fuchs.com

Germany: +49 621 776 1111  
fa-info@de.pepperl-fuchs.com

Singapore: +65 6779 9091  
fa-info@sg.pepperl-fuchs.com

**Technical data****System components**

Emitter	VS18-M-LAS/76a/118
Receiver	VSE18-M-LAS/40a/118/128

**General specifications**

Effective detection range	0 ... 60 m
Threshold detection range	85 m
Light source	laser diode
Light type	modulated visible red light
Laser nominal ratings	
Note	LASER LIGHT , DO NOT STARE INTO BEAM
Laser class	1
Wave length	655 nm
Beam divergence	11.7 mrad
Pulse length	2 µs
Repetition rate	50 kHz
max. pulse energy	2.55 nJ
Diameter of the light spot	100 mm x 100 mm at a distance of 85 m
Angle of divergence	adjustable focal point
Optical face	frontal
Ambient light limit	30000 Lux
Hysteresis	H < 15 %

**Functional safety related parameters**

MTTF <sub>d</sub>	520 a
Mission Time (T <sub>M</sub> )	20 a
Diagnostic Coverage (DC)	90 %

**Indicators/operating means**

Operation indicator	LED green, flashes in case of short-circuit
Function indicator	LED yellow, light with free light beam , flashes when falling short of the stability control , OFF when light beam is interrupted (in receiver)
Control elements	Sensitivity adjuster, light/dark switch (receiver)

**Electrical specifications**

Operating voltage	U <sub>B</sub>	10 ... 30 V DC , class 2
No-load supply current	I <sub>0</sub>	Emitter: 20 mA , Receiver: 15 mA
Protection class		II , rated voltage ≤ 50 V AC with pollution degree 1-2 according to IEC 60664-1

**Input**

Test input	emitter deactivation at +U <sub>B</sub>
------------	---

**Output**

Switching type	light/dark on, switchable	
Signal output	Push-pull (4 in 1) output short-circuit protected overvoltage protected	
Switching voltage	30 V DC	
Switching current	max. 200 mA	
Voltage drop	U <sub>d</sub>	≤ 2.5 V DC
Switching frequency	f	5000 Hz
Response time		100 µs

**Conformity**

Product standard	EN 60947-5-2
------------------	--------------

**Ambient conditions**

Ambient temperature	-25 ... 55 °C (-13 ... 131 °F)
Storage temperature	-30 ... 70 °C (-22 ... 158 °F)
Shock resistance	b < 30 g, T < 11 ms

**Mechanical specifications**

Degree of protection	IP67
Connection	4-pin, M12 x 1 connector
Material	
Housing	brass, nickel-plated
Optical face	plastic
Mass	60 g (device)

**Compliance with standards and directives**

Standard conformity	
Laser class	IEC 60825-1:2007 Complies with 21 CFR 1040.10 and 1040.11 except for deviations pursuant to Laser Notice No. 50, dated June 24, 2007

**Approvals and certificates**

UL approval	cULus Listed, Type 1 enclosure
CCC approval	CCC approval / marking not required for products rated ≤36 V

**Accessories****OMH-VL18**

Mounting Bracket with swivel nut

**BF 18**

Mounting flange, 18 mm

**BF 18-F**

Plastic mounting adapter, 18 mm

**BF 5-30**

Universal mounting bracket for cylindrical sensors with a diameter of 5 ... 30 mm

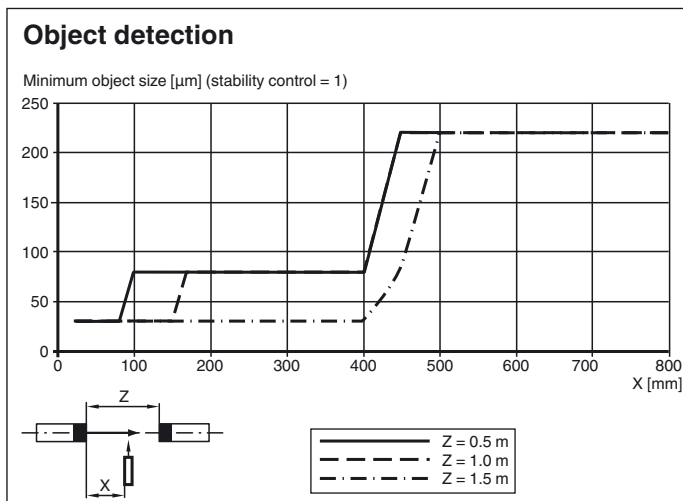
**V1-G-2M-PUR**

Female cordset, M12, 4-pin, PUR cable

**V1-W-2M-PUR**

Female cordset, M12, 4-pin, PUR cable

Other suitable accessories can be found at [www.pepperl-fuchs.com](http://www.pepperl-fuchs.com)



## Adjustment

### Small object detection

The focal point of the emitter can be adjusted. Very small objects are best detected at the focal point (place of smallest spot size).

Whether a small object can be detected or not depends on the emitter/receiver as well as on the emitter/object distance. Please see the corresponding curves enclosed.

For long distance application, you have to avoid a short focal plane setting. The maximum light spot diameter at the receivers location must not exceed 100 mm for reliable detection with 2-fold function reserve.

### Laser notice laser class 1

- The irradiation can lead to irritation especially in a dark environment. Do not point at people!
- Maintenance and repairs should only be carried out by authorized service personnel!
- Attach the device so that the warning is clearly visible and readable.
- The warning accompanies the device and should be attached in immediate proximity to the device.
- Caution – Use of controls or adjustments or performance of procedures other than those specified herein may result in hazardous radiation exposure.



# SCATTERGOOD & JOHNSON LTD

ELECTRICAL ENGINEERING & FLUID CONTROL DISTRIBUTORS

Est.1899

At Scattergood & Johnson Ltd, we pride ourselves on being a technical distributor to specialist industries.

Working with a range of quality product suppliers across a number of specialist markets, we are not your average 'box shifter' - we are your technical and supply chain partner.

We fully support every product we sell - for free! Our internal team and external sales engineers can answer any product or application question, no matter the complexity.

Backing up this technical ability is a range of 50,000+ products available from stock for nationwide next day delivery (same day if required!), or you can collect what you need from any of our trade counters around the UK.

Select your specialist interest below to learn more about how we can help.



Online, In Branch and On the Road - Scattergood & Johnson Ltd, there when you need us.

# [www.scatts.co.uk](http://www.scatts.co.uk)