

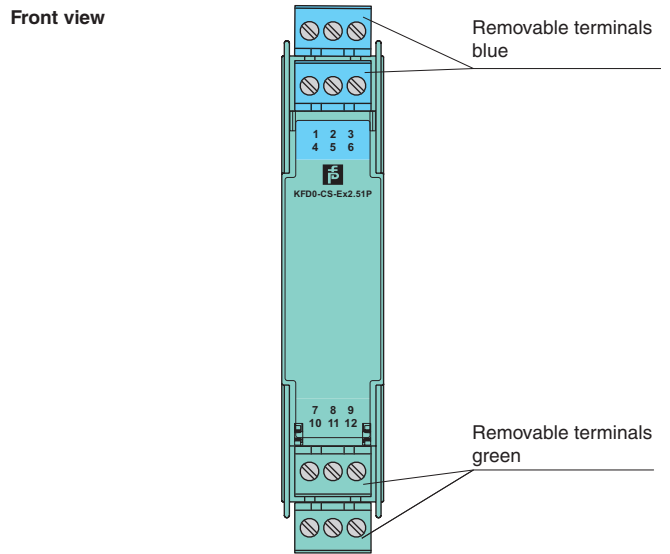
**Features**

- 2-channel isolated barrier
- 24 V DC supply (loop powered)
- Current input/output 0 mA ... 40 mA
- I/P or transmitter power supply
- Accuracy 1 %
- Up to SIL 2 acc. to IEC 61508

**Function**

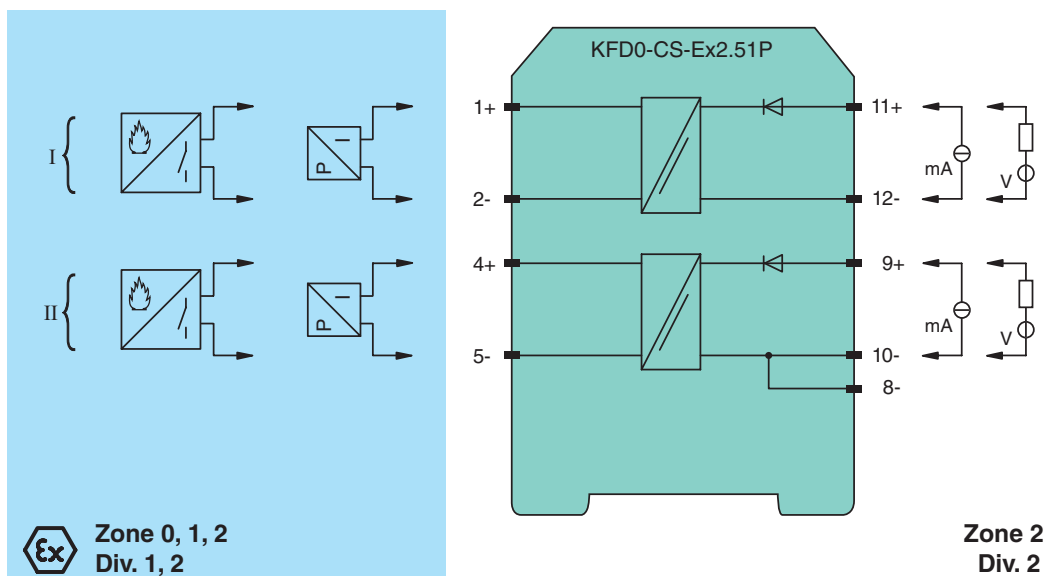
This isolated barrier is used for intrinsic safety applications. The device transfers DC signals of fire alarms and smoke alarms from the hazardous area to the non-hazardous area. The device can also be used to control I/P converters, valves, indicators, and audible alarms. A reverse polarity protection prevents damage to the device caused by faulty wiring. The device is loop powered. From the control side no additional power supply has to be connected. Use the technical data to verify that proper voltage is available to the field devices.

**Assembly**



**SIL 2**

**Connection**



**Zone 2  
Div. 2**

Release date 2017-08-09 14:20 Date of issue 2017-08-09 072149\_eng.xml

Refer to "General Notes Relating to Pepperl+Fuchs Product Information".

Pepperl+Fuchs Group  
www.pepperl-fuchs.com

USA: +1 330 486 0002  
pa-info@us.pepperl-fuchs.com

Germany: +49 621 776 2222  
pe-info@de.pepperl-fuchs.com

Singapore: +65 6779 9091  
pa-info@sg.pepperl-fuchs.com

<b>General specifications</b>		
Signal type		Analog input/analog output
<b>Functional safety related parameters</b>		
Safety Integrity Level (SIL)		SIL 2
<b>Supply</b>		
Rated voltage	$U_r$	loop powered
<b>Control circuit</b>		
Connection		terminals 12-, 11+; 8-, 10-, 9+
Voltage		4 ... 35 V DC
Current		0 ... 40 mA
Power dissipation		at 40 mA and $U_{in} < 22$ V: 700 mW per channel at 40 mA and $U_{in} > 22$ V: 1.2 W per channel
<b>Field circuit</b>		
Connection		terminals 1+, 2-; 4+, 5-
Voltage		for $4$ V $< U_{in} < 24$ V: $\geq U_{in} - (0.37 \times \text{current in mA}) - 1.0$ for $U_{in} > 24$ V: $\geq 21$ V - $(0.36 \times \text{current in mA})$
Short-circuit current		at $U_{in} > 24$ V: $\leq 65$ mA
Transfer current		$\leq 40$ mA
<b>Transfer characteristics</b>		
Accuracy		1 %
Deviation		
After calibration		$\leq \pm 200$ $\mu$ A; incl. calibration, linearity, hysteresis and load fluctuations at the field side up to a load of 1 k $\Omega$ and current $\leq 20$ mA at 20 $^{\circ}$ C (68 $^{\circ}$ F)
Influence of ambient temperature		$\leq \pm 2$ $\mu$ A/K at $U_{in} \leq 20$ V; $\leq \pm 5$ $\mu$ A/K at $U_{in} > 20$ V
Rise time		$\leq 5$ ms at bounce from 4 ... 20 mA and $U_{in} < 24$ V
<b>Galvanic isolation</b>		
Field circuit/control circuit		safe electrical isolation acc. to IEC/EN 60079-11, voltage peak value 375 V
<b>Indicators/settings</b>		
Labeling		space for labeling at the front
<b>Directive conformity</b>		
Electromagnetic compatibility		
Directive 2014/30/EU		EN 61326-1:2013 (industrial locations)
<b>Conformity</b>		
Electromagnetic compatibility		NE 21:2006
Degree of protection		IEC 60529:2001
Protection against electrical shock		UL 61010-1
<b>Ambient conditions</b>		
Ambient temperature		-20 ... 60 $^{\circ}$ C (-4 ... 140 $^{\circ}$ F)
<b>Mechanical specifications</b>		
Degree of protection		IP20
Connection		screw terminals
Mass		approx. 100 g
Dimensions		20 x 107 x 115 mm (0.8 x 4.2 x 4.5 inch) , housing type B1
Mounting		on 35 mm DIN mounting rail acc. to EN 60715:2001
<b>Data for application in connection with hazardous areas</b>		
EU-Type Examination Certificate		BAS 98 ATEX 7343
Marking		$\text{\textcircled{Ex}}$ II (1)G [Ex ia Ga] IIC, II (1)D [Ex ia Da] IIIC, I (M1) [Ex ia Ma] I (-20 $^{\circ}$ C $\leq T_{amb} \leq 60$ $^{\circ}$ C)
Voltage	$U_o$	25.2 V
Current	$I_o$	93 mA
Power	$P_o$	585 mW
Control circuit		
Maximum safe voltage	$U_m$	250 V $_{eff}$ (Attention! The rated voltage can be lower.)
Field circuit		
Maximum safe voltage	$U_m$	250 V $_{eff}$ (Attention! The rated voltage can be lower.)
Certificate		TÜV 99 ATEX 1499 X
Marking		$\text{\textcircled{Ex}}$ II 3G Ex nA II T4 [device in zone 2]
Galvanic isolation		
Field circuit/control circuit		safe electrical isolation acc. to IEC/EN 60079-11, voltage peak value 375 V
Directive conformity		
Directive 2014/34/EU		EN 60079-0:2012+A11:2013 , EN 60079-11:2012 , EN 60079-15:2010
<b>International approvals</b>		
FM approval		
Control drawing		116-0129
UL approval		

Release date 2017-08-09 14:20 Date of issue 2017-08-09 072149\_eng.xml

Control drawing	116-0173 (cULus)
IECEX approval	IECEX BAS 05.0004
Approved for	[Ex ia Ga] IIC, [Ex ia Da] IIIC, [Ex ia Ma] I
<b>General information</b>	
Supplementary information	Observe the certificates, declarations of conformity, instruction manuals, and manuals where applicable. For information see <a href="http://www.pepperl-fuchs.com">www.pepperl-fuchs.com</a> .

## Application

The device is used for isolation of power loops for the control of positioner, I/P converters etc. A current source is connected to the safe area terminals.

The device is used for isolation of a current signal from fire detectors or similar sensors. In this case, a voltage source can be connected to the safe area terminals. A specific measurement current across a passive sensor can be measured in the safe area with a series resistor (min. 50  $\Omega$ ). When a voltage supply is used, the measuring resistor can also provide current limitations.



# SCATTERGOOD & JOHNSON LTD

ELECTRICAL ENGINEERING & FLUID CONTROL DISTRIBUTORS

Est.1899

At Scattergood & Johnson Ltd, we pride ourselves on being a technical distributor to specialist industries.

Working with a range of quality product suppliers across a number of specialist markets, we are not your average 'box shifter' - we are your technical and supply chain partner.

We fully support every product we sell - for free! Our internal team and external sales engineers can answer any product or application question, no matter the complexity.

Backing up this technical ability is a range of 50,000+ products available from stock for nationwide next day delivery (same day if required!), or you can collect what you need from any of our trade counters around the UK.

Select your specialist interest below to learn more about how we can help.



Online, In Branch and On the Road - Scattergood & Johnson Ltd, there when you need us.

# [www.scatts.co.uk](http://www.scatts.co.uk)