

Features

- 2-channel isolated barrier
- 24 V DC supply (loop powered)
- Current limit 45 mA at 12 V DC
- Up to SIL 3 acc. to IEC 61508

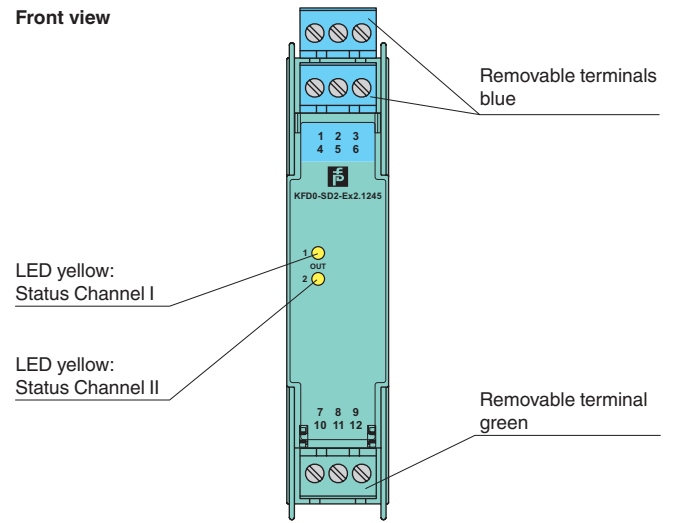
Function

This isolated barrier is used for intrinsic safety applications. It supplies power to solenoids, LEDs, and audible alarms located in a hazardous area.

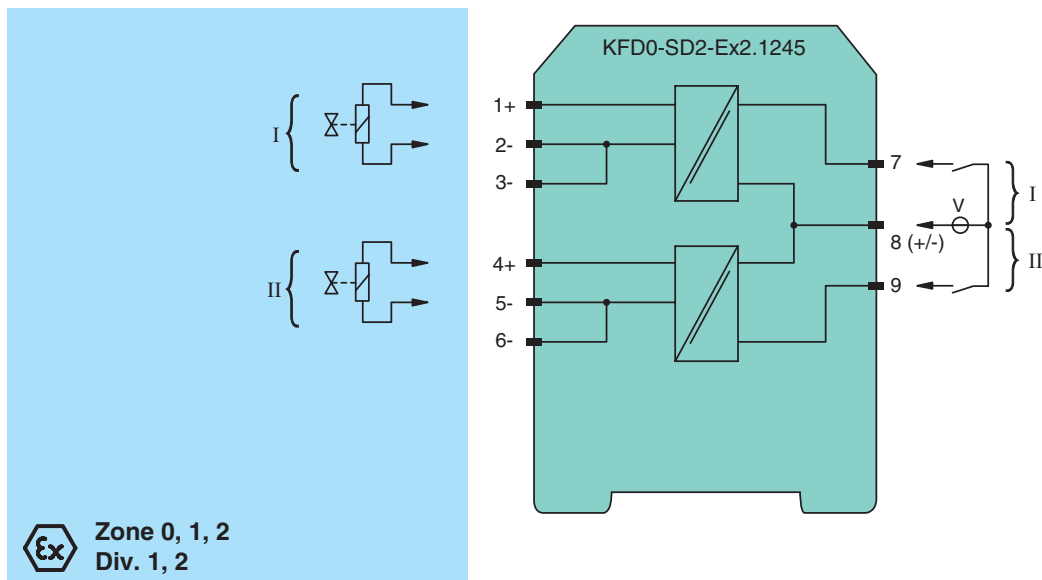
It is loop powered, so the available energy at the output is received from the input signal. The output signal has a resistive characteristic. As a result the output voltage and current are dependent on the load and the input voltage.

At full load, 12 V at 45 mA is available for the hazardous area application.

Assembly



Connection



Release date 2019-12-02 16:56 Date of issue 2019-12-02 242033_eng.xml

Refer to "General Notes Relating to Pepperl+Fuchs Product Information".

General specifications		
Signal type		Digital Output
Functional safety related parameters		
Safety Integrity Level (SIL)		SIL 3
Supply		
Rated voltage	U_r	loop powered
Power dissipation		< 1 W (≤ 30 V) per channel
Input		
Connection side		control side
Connection		terminals 7, 8; 8, 9
Rated voltage	U_r	20 ... 35 V DC
Current		72 mA at 20 V input voltage, load = 265 Ω 50 mA at 35 V input voltage, load = 265 Ω
Inrush current		≤ 200 mA after 100 μ s
Output		
Connection side		field side
Connection		terminals 1+, 2-; 4+, 5-
Internal resistor	R_i	≤ 238 Ω
Current	I_e	≤ 45 mA
Voltage	U_e	≥ 12 V
Open loop voltage	U_s	≥ 22.7 V
Output rated operating current		45 mA
Output signal		These values are valid for the rated operating voltage 20 ... 35 V DC.
Energized/De-energized delay		single operation: typ. 1.7 ms/50 μ s; periodical: typ. 5 μ s/50 μ s
Indicators/settings		
Display elements		LEDs
Labeling		space for labeling at the front
Directive conformity		
Electromagnetic compatibility		
Directive 2014/30/EU		EN 61326-1:2013 (industrial locations)
Conformity		
Electromagnetic compatibility		NE 21:2006
Degree of protection		IEC 60529:2001
Protection against electrical shock		UL 61010-1:2004
Ambient conditions		
Ambient temperature		-20 ... 60 $^{\circ}$ C (-4 ... 140 $^{\circ}$ F)
Mechanical specifications		
Degree of protection		IP20
Connection		screw terminals
Mass		approx. 100 g
Dimensions		20 x 107 x 115 mm (0.8 x 4.2 x 4.5 inch) , housing type B1
Mounting		on 35 mm DIN mounting rail acc. to EN 60715:2001
Data for application in connection with hazardous areas		
EU-type examination certificate		BASEEFA 06 ATEX 0252
Marking		Ex II (1)G [Ex ia Ga] IIC, II (1)D [Ex ia Da] IIIC, I (M1) [Ex ia Ma] I (-20 $^{\circ}$ C $\leq T_{\text{amb}} \leq 60$ $^{\circ}$ C)
Voltage	U_o	25.2 V
Current	I_o	110 mA
Power	P_o	693 mW
Type of protection [EEx ia]		
Input		
Maximum safe voltage	U_m	250 V (Attention! The rated voltage can be lower.)
Certificate		
Marking		Ex II 3G Ex nA II T4 [device in zone 2]
Galvanic isolation		
Input/Output		safe electrical isolation acc. to IEC/EN 60079-11, voltage peak value 375 V
Directive conformity		
Directive 2014/34/EU		EN 60079-0:2012+A11:2013 , EN 60079-11:2012 , EN 60079-15:2010
International approvals		
FM approval		
Control drawing		116-0309
UL approval		
Control drawing		116-0316 (cULus)
IECEx approval		

Release date 2019-12-02 16:56 Date of issue 2019-12-02 242033_eng.xml

Refer to "General Notes Relating to Pepperl+Fuchs Product Information".

Pepperl+Fuchs Group
www.pepperl-fuchs.com

USA: +1 330 486 0002
pa-info@us.pepperl-fuchs.com

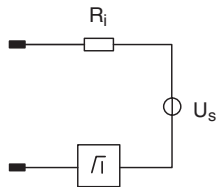
Germany: +49 621 776 2222
pa-info@de.pepperl-fuchs.com

Singapore: +65 6779 9091
pa-info@sg.pepperl-fuchs.com

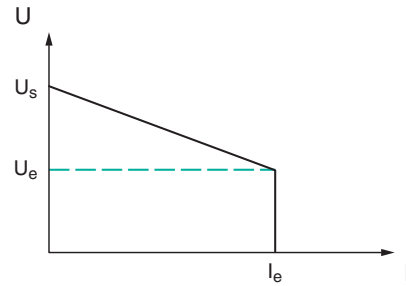
IECEX certificate	IECEX BAS 06.0058 IECEX CML 19.0093X
IECEX marking	[Ex ia Ga] IIC , [Ex ia Da] IIIC , [Ex ia Ma] I Ex ec IIC T4 Gc
General information	
Supplementary information	Observe the certificates, declarations of conformity, instruction manuals, and manuals where applicable. For information see www.pepperl-fuchs.com .

Output characteristics

Output circuit diagram



Output characteristic



Release date 2019-12-02 16:56 Date of issue 2019-12-02 242033_eng.xml

Refer to "General Notes Relating to Pepperl+Fuchs Product Information".

Pepperl+Fuchs Group
www.pepperl-fuchs.com

USA: +1 330 486 0002
pa-info@us.pepperl-fuchs.com

Germany: +49 621 776 2222
pa-info@de.pepperl-fuchs.com

Singapore: +65 6779 9091
pa-info@sg.pepperl-fuchs.com



SCATTERGOOD & JOHNSON LTD

ELECTRICAL ENGINEERING & FLUID CONTROL DISTRIBUTORS

Est.1899

At Scattergood & Johnson Ltd, we pride ourselves on being a technical distributor to specialist industries.

Working with a range of quality product suppliers across a number of specialist markets, we are not your average 'box shifter' - we are your technical and supply chain partner.

We fully support every product we sell - for free! Our internal team and external sales engineers can answer any product or application question, no matter the complexity.

Backing up this technical ability is a range of 50,000+ products available from stock for nationwide next day delivery (same day if required!), or you can collect what you need from any of our trade counters around the UK.

Select your specialist interest below to learn more about how we can help.



Online, In Branch and On the Road - Scattergood & Johnson Ltd, there when you need us.

www.scatts.co.uk