



- 24 V DC supply voltage
- Device installation permissible in zone 2
- Supply current ≤ 4 A
- Fault signal output with adjustable mode of operation
- EMC acc. to NAMUR NE 21

**Bus access via terminals
KFD2-EB2.B**

Function

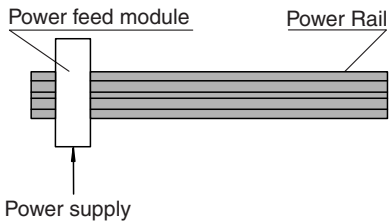
The power feed module supplies the Power Rail with a voltage of 24 V DC and a maximum current of 4 A.

The dual designed power feed terminals 8+ and 11+ or 9- and 12- offer the option to loop the supply (up to max. 10 A).

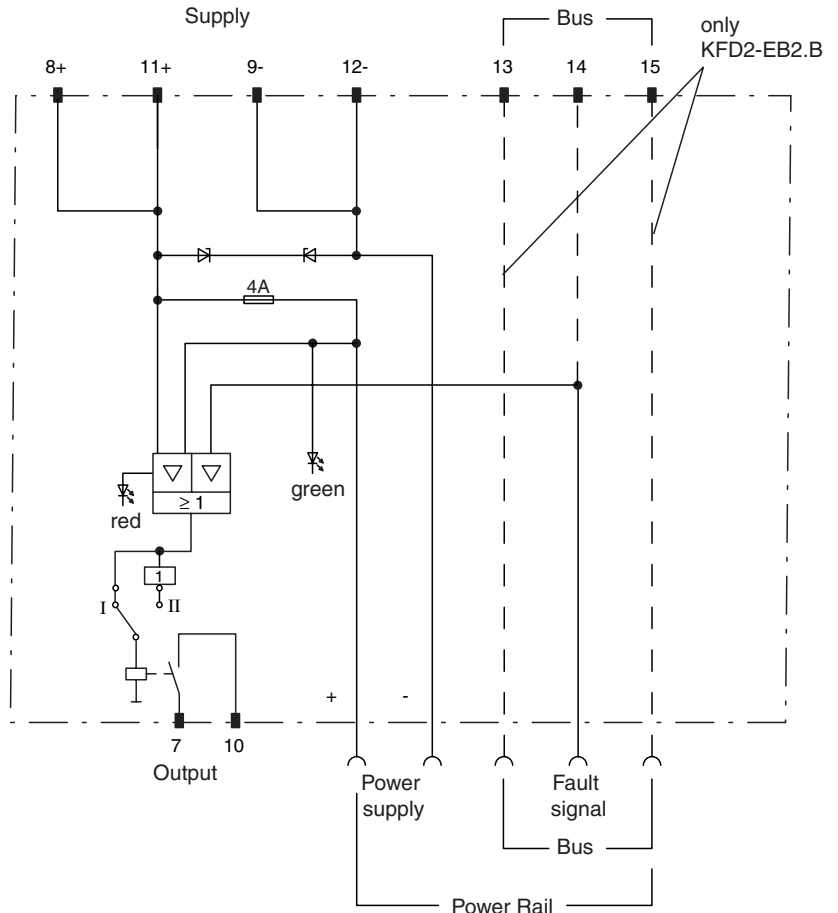
The integrated error evaluation system detects fuse errors and possible collective error messages. In a fault condition, the relay switches (normally open contact terminals 7 and 10) and the malfunction is indicated by means of the red LED on the front. The mode of operation can be adjusted with a plug-in jumper.

For model variant KFD2-EB2.B only:
Terminals 13 and 15 are used for the bus connection (only for Power Rail PR-05 or UPR-05).

Terminal 14 is the measuring point for the collective error message (only provided for test purposes, must not be wired into the system).



Connection



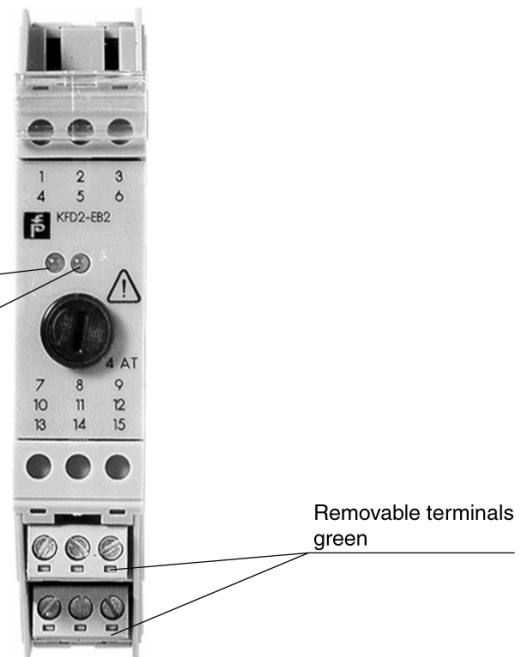
Composition

Front View

Housing type A2
(see system description)

LED red:
Fault signal

LED green:
Power supply



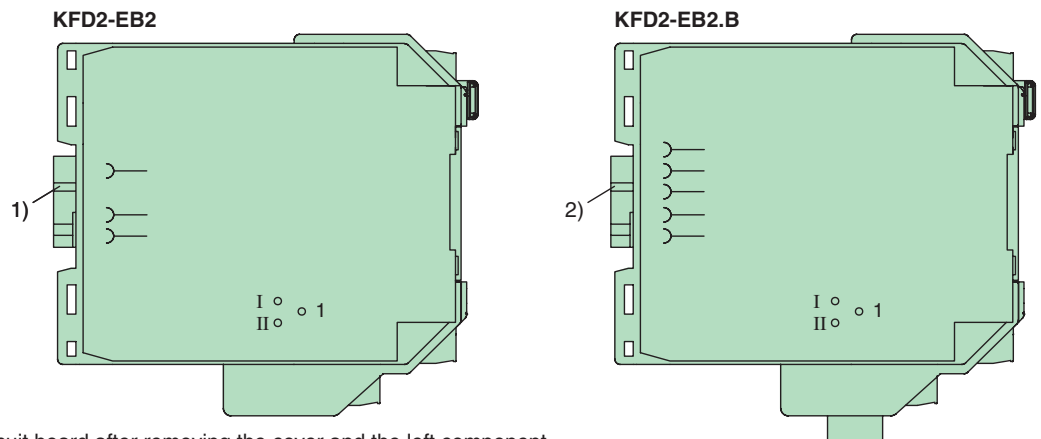
Release date 2005-09-29 16:03 Date of issue 2005-09-29 038939_ENG.xml

Technical data**KFD2-EB2.B**

Supply	
Connection	terminals 11+, 12- terminals 8+, 9-
Rated voltage	20 ... 30 V DC The maximum rated operational voltage of the devices plugged onto the Power Rail must not be exceeded.
Output	
Connection	terminals 13, 14, 15, internal bus signal
Power Rail feed	output current: ≤ 4 A
Fault signal	relay output: NO
Contact loading	24 V AC; 2 A / 24 V DC; 2 A
Energized/De-energized delay	approx. 20 ms / approx. 20 ms
Conformity	
Protection degree	IEC 60529
Ambient conditions	
Ambient temperature	-25 ... 60 °C (248 ... 333 K)
Mechanical specifications	
Protection degree	IP20
Mass	approx. 100 g
Dimensions	20 x 118 x 115 mm (0.8 x 4.6 x 4.5 in)
Data for application in conjunction with hazardous areas	
Statement of conformity	TÜV 00 ATEX 1618 X , observe statement of conformity
Group, category, type of protection, temperature classification	⊕ II 3 G EEx nAC IIC T4
Entity parameter	
Certification number	J.I.3000847
FM control drawing	No. 116-0160
Suitable for installation in division 2	yes
Safety parameter	
CSA control drawing	LR 36087-18
Control drawing	No. 116-0149

Supplementary information

Statement of Conformity, Declaration of Conformity and instructions have to be observed. For information see www.pepperl-fuchs.com.

Notes**Adjustment of the jumpers**

- 1) Power rail supply
- 2) Power rail supply and bus

The jumper is visible on the circuit board after removing the cover and the left component.



SCATTERGOOD & JOHNSON LTD

ELECTRICAL ENGINEERING & FLUID CONTROL DISTRIBUTORS

Est.1899

At Scattergood & Johnson Ltd, we pride ourselves on being a technical distributor to specialist industries.

Working with a range of quality product suppliers across a number of specialist markets, we are not your average 'box shifter' - we are your technical and supply chain partner.

We fully support every product we sell - for free! Our internal team and external sales engineers can answer any product or application question, no matter the complexity.

Backing up this technical ability is a range of 50,000+ products available from stock for nationwide next day delivery (same day if required!), or you can collect what you need from any of our trade counters around the UK.

Select your specialist interest below to learn more about how we can help.



Online, In Branch and On the Road - Scattergood & Johnson Ltd, there when you need us.

www.scatts.co.uk