

## Features

- Interface for Power Rail
- Used for redundant configuration
- Supply current  $\leq 4$  A
- Replaceable fuse
- Relay contact output, reversible
- LED status indication

## Function

The power feed module supplies the Power Rail with a voltage of 24 V DC and a maximum current of 4 A. The device is designed for applications requiring redundant power.

In the event of a device fault or a wiring fault of any isolator on the Power Rail, the collective error messaging relay alerts the controller via a binary I/O point. This relay can be configured as normally-open or normally-closed.

A green LED on the front of the device indicates the power state, and a red LED lights up during a fault condition.

Additionally, the bus implemented in the Power Rail is forwarded to the terminals 13 and 15 for usage with the RS-485 connection of the KFD2-WAC2-Ex1.D device. Terminal 14 is only for test purposes.

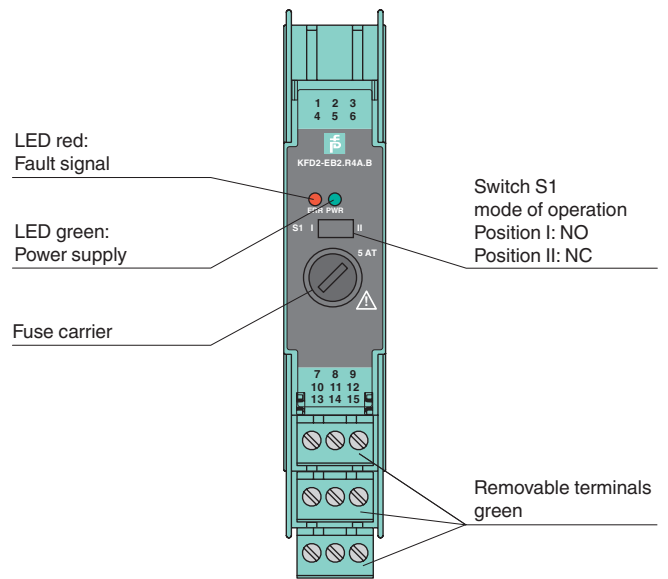
In the sense of functional safety (SIL) the device provides no dangerous failures. Thereby the safe condition of the supplied isolators must be defined as the de-energized state. Thus the device will not influence the safety calculation or the SIL value.

This device is compatible with all versions of the Power Rail and provides group fusing.

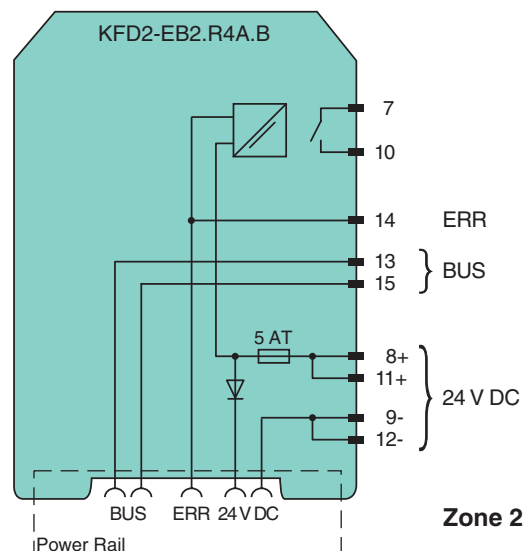
**Note:** Redundant systems require 2 KFD2-EB.R4A.B power feed modules.

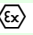
## Assembly

### Front view



## Connection



|  |  |
|--|--|
| <b>Supply</b>  |  |
| Connection   | terminals 11+, 12-<br>terminals 8+, 9-   |
| Rated voltage $U_r$  | 20 ... 30 V DC<br>The maximum rated operating voltage of the devices plugged onto the Power Rail must not be exceeded.   |
| Fusing   | 5 AT/250 V AC<br>recommended maximum utilization of the fuse: 80 %   |
| Power dissipation  | ≤ 2.4 W  |
| <b>Output</b>  |  |
| Connection   | Power Rail   |
| Output rated operating current                                 | ≤ 4 A  |
| Output voltage   | $U_i \geq$ rated voltage $U_r = U_i - 0.6$ V   |
| Fault signal   | relay output: NO contact   |
| Contact loading  | 30 V AC/ 2 A / $\cos \phi \geq 0.7$ ; 40 V DC/ 2 A   |
| Energized/De-energized delay                                   | approx. 20 ms / approx. 20 ms  |
| <b>Indicators/settings</b>                                     |  |
| Display elements   | LEDs   |
| Control elements   | DIP-switch   |
| Configuration  | via DIP switches   |
| Labeling   | space for labeling at the front  |
| <b>Directive conformity</b>                                    |  |
| Electromagnetic compatibility                                  |  |
| Directive 2014/30/EU   | EN 61326-1:2013 (industrial locations)   |
| <b>Conformity</b>  |  |
| Electromagnetic compatibility                                  | NE 21:2006   |
| Degree of protection   | IEC 60529:2001   |
| <b>Ambient conditions</b>                                      |  |
| Ambient temperature  | -20 ... 60 °C (-4 ... 140 °F)  |
| <b>Mechanical specifications</b>                               |  |
| Degree of protection   | IP20   |
| Connection   | screw terminals  |
| Mass   | approx. 100 g  |
| Dimensions   | 20 x 119 x 115 mm (0.8 x 4.7 x 4.5 inch) , housing type B2   |
| Mounting   | on 35 mm DIN mounting rail acc. to EN 60715:2001   |
| <b>Data for application in connection with hazardous areas</b> |  |
| Certificate  | TÜV 00 ATEX 1618 X   |
| Marking  |  II 3G Ex nA nC IIC T4  |
| Directive conformity   |  |
| Directive 2014/34/EU   | EN 60079-0:2012+A11:2013 , EN 60079-15:2010  |
| <b>International approvals</b>                                 |  |
| FM approval  |  |
| Control drawing  | 116-0160   |
| IECEX approval   | IECEX UL 16.0051X  |
| Approved for   | Ex nA nC IIC T4 Gc   |
| <b>General information</b>                                     |  |
| Supplementary information                                      | Observe the certificates, declarations of conformity, instruction manuals, and manuals where applicable. For information see <a href="http://www.pepperl-fuchs.com">www.pepperl-fuchs.com</a> .                                |
| <b>Accessories</b>   |  |
| Optional accessories   | - universal power rail UPR-03(-M)(-S)<br>- universal power rail UPR-05(-S)<br>- profile rail K-DUCT-GY(-UPR-03)<br>- profile rail K-DUCT-GY(-UPR-05)<br>- profile rail K-DUCT-BU(-UPR-03)<br>- profile rail K-DUCT-BU(-UPR-05) |

Release date 2019-10-31 10:42 Date of issue 2019-10-31 189784\_eng.xml

Refer to "General Notes Relating to Pepperl+Fuchs Product Information".

Pepperl+Fuchs Group  
[www.pepperl-fuchs.com](http://www.pepperl-fuchs.com)USA: +1 330 486 0002  
[pa-info@us.pepperl-fuchs.com](mailto:pa-info@us.pepperl-fuchs.com)Germany: +49 621 776 2222  
[pa-info@de.pepperl-fuchs.com](mailto:pa-info@de.pepperl-fuchs.com)Singapore: +65 6779 9091  
[pa-info@sg.pepperl-fuchs.com](mailto:pa-info@sg.pepperl-fuchs.com)



# SCATTERGOOD & JOHNSON LTD

ELECTRICAL ENGINEERING & FLUID CONTROL DISTRIBUTORS

Est.1899

At Scattergood & Johnson Ltd, we pride ourselves on being a technical distributor to specialist industries.

Working with a range of quality product suppliers across a number of specialist markets, we are not your average 'box shifter' - we are your technical and supply chain partner.

We fully support every product we sell - for free! Our internal team and external sales engineers can answer any product or application question, no matter the complexity.

Backing up this technical ability is a range of 50,000+ products available from stock for nationwide next day delivery (same day if required!), or you can collect what you need from any of our trade counters around the UK.

Select your specialist interest below to learn more about how we can help.



Online, In Branch and On the Road - Scattergood & Johnson Ltd, there when you need us.

# [www.scatts.co.uk](http://www.scatts.co.uk)