

Features

- 1-channel isolated barrier
- 24 V DC supply (Power Rail)
- RS 232 input/output

Function

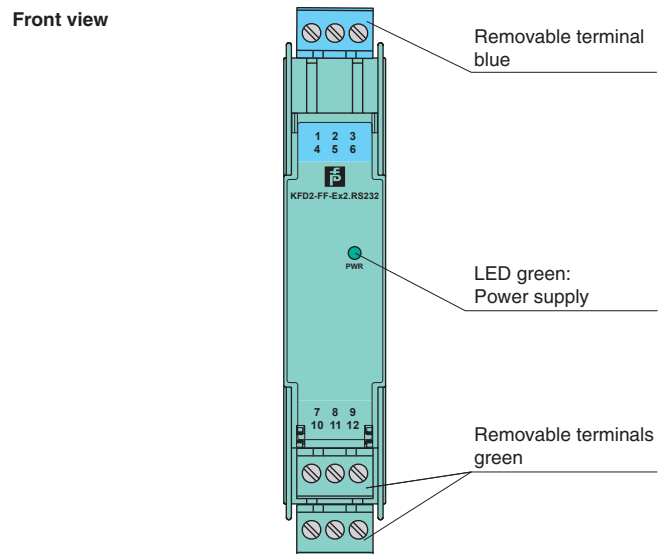
This isolated barrier is used for intrinsic safety applications. It is a repeater for the bi-directional transfer of RS 232 signals.

The input and output circuits are intrinsically safe and designed to transmit and receive RS 232 signals between the safe area and the hazardous area.

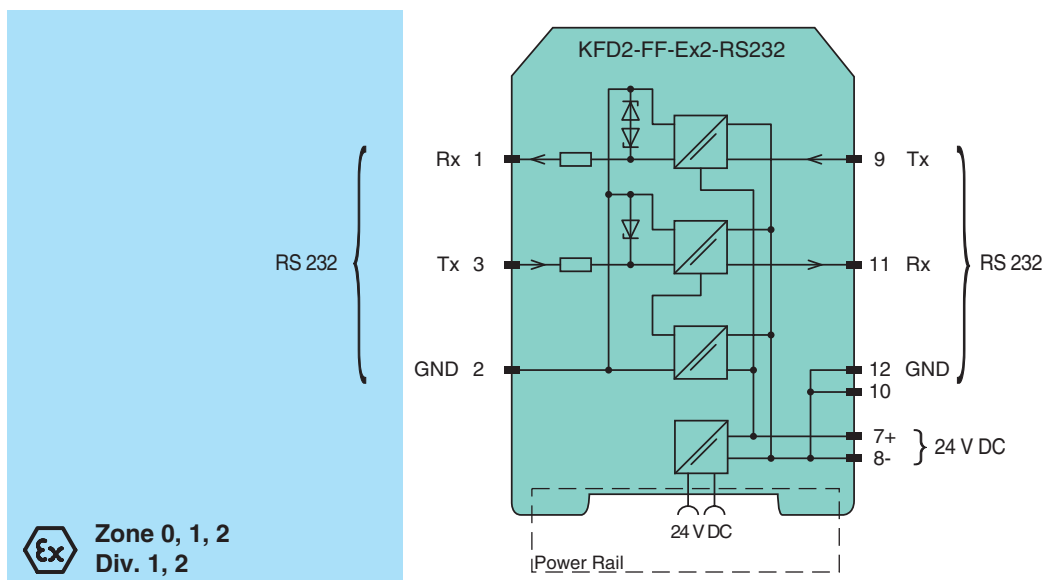
This barrier accepts input signals in the $\pm 3\text{ V} \dots \pm 15\text{ V}$ range providing a nominal $\pm 10\text{ V}$ output that is independent of the input voltage.

The maximum rate of data exchange is 20 kBits per second.

Assembly



Connection



Ex Zone 0, 1, 2 Div. 1, 2

Release date 2019-01-25 09:38 Date of issue 2019-01-25 11:6923_eng.xml

Refer to "General Notes Relating to Pepperl+Fuchs Product Information".

Pepperl+Fuchs Group
www.pepperl-fuchs.com

USA: +1 330 486 0002
pa-info@us.pepperl-fuchs.com

Germany: +49 621 776 2222
pa-info@de.pepperl-fuchs.com

Singapore: +65 6779 9091
pa-info@sg.pepperl-fuchs.com

PF PEPPERL+FUCHS

General specifications		
Signal type		Analog input
Supply		
Connection		Power Rail or terminals 7+, 8-
Rated voltage	U_r	19 ... 30 V DC
Rated current	I_r	approx. 40 mA
Power consumption		approx. 1.5 W
Control circuit		
Interface		RS 232
Input		
Connection		terminal 9
Signal		logic 0: +3 ... +15 V logic 1: -3 ... -15 V
Output		
Connection		terminal 11
Signal		logic 0: +9 ... +12 V logic 1: -9 ... -12 V
Field circuit		
Interface		RS 232
Input		
Connection		terminals 2, 3
Signal		logic 0: +3 ... +15 V logic 1: -3 ... -15 V
Output		
Connection		terminals 1, 2
Signal		logic 0: +9 ... +12 V logic 1: -9 ... -12 V
Short-circuit current		≤ 40 mA per channel
Indicators/settings		
Display elements		LED
Labeling		space for labeling at the front
Directive conformity		
Electromagnetic compatibility		
Directive 2014/30/EU		EN 61326-1:2013 (industrial locations)
Conformity		
Degree of protection		IEC 60529
Ambient conditions		
Ambient temperature		-20 ... 60 °C (-4 ... 140 °F)
Mechanical specifications		
Degree of protection		IP20
Connection		screw terminals
Mass		approx. 110 g
Dimensions		20 x 107 x 115 mm (0.8 x 4.2 x 4.5 inch) , housing type B1
Mounting		on 35 mm DIN mounting rail acc. to EN 60715:2001
Data for application in connection with hazardous areas		
EU-Type Examination Certificate		BAS 02 ATEX 0116
Marking		Ex II (1)G [Ex ia Ga] IIC , Ex II (1)D [Ex ia Da] IIIC , Ex I (M1) [Ex ia Ma] I (-40 °C ≤ T _{amb} ≤ 60 °C)
Equipment		terminals 1, 2, 3
Input		[Ex ia Ga] IIC, [Ex ia Da] IIIC, [Ex ia Ma] I
Voltage	U_o	19.9 V
Current	I_o	75 mA
Power	P_o	0.2 W
Internal capacitance	C_i	0 F
Internal inductance	L_i	0 H
Supply		
Maximum safe voltage	U_m	250 V _{rms} on terminals 7, 9 and 11; 0 V on terminals 8, 10 and 12 and on Power Rail connector (Attention! The rated voltage can be lower.)
Type of protection [EEx ia]		
Directive conformity		
Directive 2014/34/EU		EN 60079-0:2012+A11:2013 , EN 60079-11:2012
International approvals		
UL approval		
Control drawing		116-0173 (cULus)
IECEx approval		

Release date 2019-01-25 09:38 Date of issue 2019-01-25 116923_eng.xml

Refer to "General Notes Relating to Pepperl+Fuchs Product Information".

IECEX certificate	IECEX BAS 05.0001
IECEX marking	[Ex ia Ga] IIC, [Ex ia Da] IIIC, [Ex ia Ma] I
General information	
Supplementary information	Observe the certificates, declarations of conformity, instruction manuals, and manuals where applicable. For information see www.pepperl-fuchs.com .
Accessories	
Optional accessories	<ul style="list-style-type: none"> - power feed module KFD2-EB2(.R4A.B)(.SP) - universal power rail UPR-03(-M)(-S) - profile rail K-DUCT-BU(-UPR-03)



SCATTERGOOD & JOHNSON LTD

ELECTRICAL ENGINEERING & FLUID CONTROL DISTRIBUTORS

Est.1899

At Scattergood & Johnson Ltd, we pride ourselves on being a technical distributor to specialist industries.

Working with a range of quality product suppliers across a number of specialist markets, we are not your average 'box shifter' - we are your technical and supply chain partner.

We fully support every product we sell - for free! Our internal team and external sales engineers can answer any product or application question, no matter the complexity.

Backing up this technical ability is a range of 50,000+ products available from stock for nationwide next day delivery (same day if required!), or you can collect what you need from any of our trade counters around the UK.

Select your specialist interest below to learn more about how we can help.



Online, In Branch and On the Road - Scattergood & Johnson Ltd, there when you need us.

www.scatts.co.uk