



- 1-channel
- Input EEx ia IIC
- 24 V DC supply voltage
- Accuracy $\pm 0.1\%$
- Adjustment option of temperature measuring range for Pt100, Ni100 in 2-, 3- or 4-wire versions
- Adjustment option of thermocouple (B, E, J, K, L, N, R, S or T)
- Freely definable characteristic curve for resistance $0\ \Omega \dots 400\ \Omega$ and voltage $-50\ mV \dots +150\ mV$
- Internal or external cold junction compensation
- Sensor burnout monitoring for thermocouples
- Sensor burnout and short-circuit monitoring (SC) for Pt100
- All settings via serial interface to PC (online parameterisation)
- Factory set on request
- EMC acc. to NAMUR NE 21

Current output 4 mA ... 20 mA
KFD2-UT-Ex1

Function

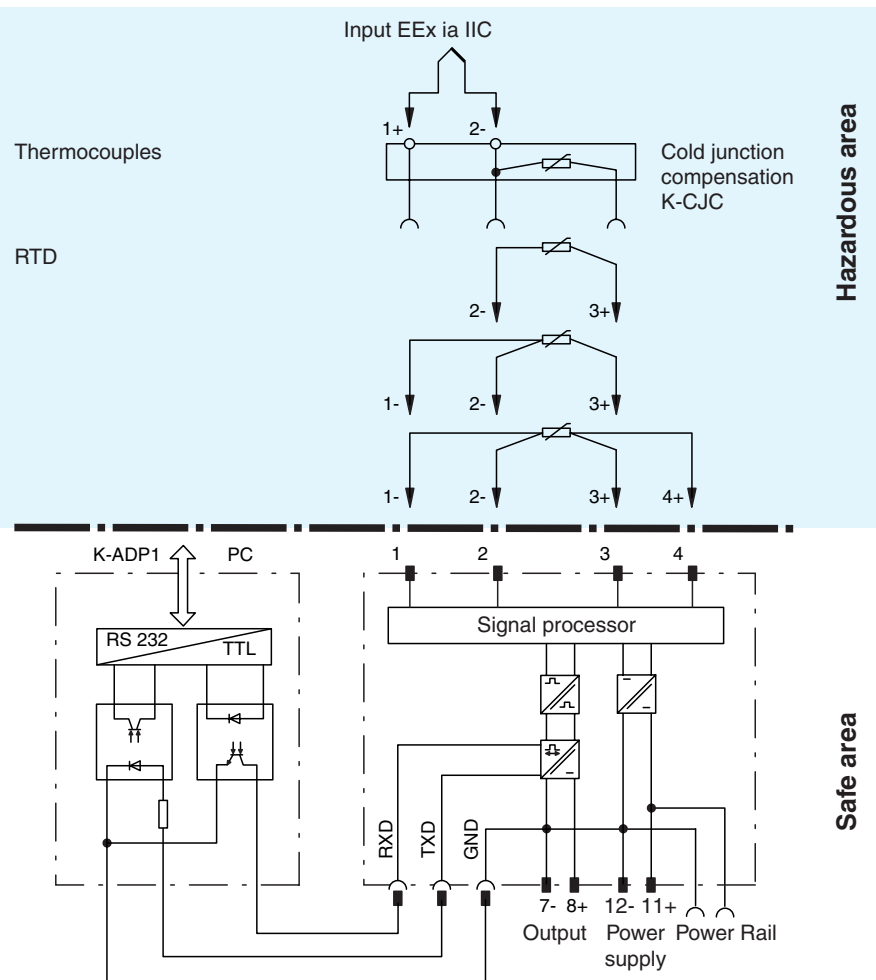
The KFD2-UT-Ex1 is designed for the connection of Pt100, Ni100 (2-, 3-, or 4-wire version) and models B, E, J, K, L, N, R, S, or T thermocouples. A current signal of 4 mA ... 20 mA proportional to the temperature is available at the output.

The parameterisation occurs via software in accordance with VDI/VDE GMA 2187. The input is galvanically isolated from the output, the programming output and the power supply. The PC's serial interface is galvanically isolated from the programming input by connecting the K-ADP1 program adapter. The isolation of the programming jack from the input makes programming during operation and through a connected measurement circuit possible.

Internal or external cold junction compensation may be selected by using thermocouples.

The reaction to fault signals is programmable (up or downscaled output). A fault is indicated by a red flashing LED per NAMUR NE 44.

Connection



Composition

Front View

Housing type A4 (see system description)

LED green: Power supply

Removable terminals blue

LED red: Fault signal

Programming jack

Removable terminals green



Release date 2006-03-01 15:14 Date of issue 2006-03-01 112879_ENG.xml

Technical data		KFD2-UT-Ex1
Supply		
Connection	Power Rail or terminals 11+, 12-	
Rated voltage	20 ... 35 V DC	
Ripple	within the supply tolerance	
Power loss	1 W	
Power consumption	≤ 1.5 W	
Input		
Connection	terminals 1, 2, 3 and 4 suitable for Pt100, Ni100, thermocouples type B, E, J, K, L, N, R, S or T (IEC 584) configuration via programming jack	
Lead resistance	≤ 50 Ω per lead	
Measuring current	approx. 400 μA with resistance measuring sensor current for lead breakage monitoring switched off during the measurement	
Output		
Connection	terminals 7-, 8+	
Current output	4 ... 20 mA ; 20.5 mA at input signal overrange ; fault signal: downscale 2 ... 4 mA or upscale 20.5 ... 22 mA (programmable) ; load: ≤ 500 Ω	
Transfer characteristics		
Deviation		
After calibration	Pt100: ± 0.01 % of measurement value in K + 0.05 % of span + 0.1 K (4-wire connection) thermocouple: ± 0.05 % of measurement value in °C + 0.05 % of span + 1 K This includes ± 0.8 K error of the cold junction compensation	
Influence of ambient temperature	current output (deviation of CJC included): Pt100: (± 0.0015 % of measurement value in K + 0.006 % of span)/K ΔT _U ¹⁾ thermocouple: (± 0.02 K + 0.004 % of measurement value in °C + 0.006 % of span)/K ΔT _U ¹⁾ voltage output (deviation of CJC included): Pt100: (± 0.0015 % from measurement value in K + 0.0075 % of range)/K ΔT _U ¹⁾ thermocouple: (± 0.02 K + 0.004 % from measurement value in °C + 0.0075 % of range)/K ΔT _U ¹⁾ ¹⁾ ΔT _U = ambient temperature change referenced to 23 °C (296 K)	
Influence of supply voltage	< 0.01 % of span	
Influence of load	≤ 0.001 % of output value per 100 Ω (current output)	
Response time	≤ 430 ms	
Electrical isolation		
Input/output	safe electrical isolation acc. to EN 50020, voltage peak value 375 V	
Input/power supply	safe electrical isolation acc. to EN 50020, voltage peak value 375 V	
Input/programming input	available There is no electrical isolation between the programming input and the supply and output. The K-ADP1 interface (see section accessories and installation) provide electrical isolation so that ground loops are avoided.	
Directive conformity		
Electromagnetic compatibility		
Directive 89/336/EC	EN 50081-2, EN 50082-2	
Conformity		
Insulation coordination	EN 50178	
Electrical isolation	EN 50178	
Electromagnetic compatibility	NE 21	
Protection degree	IEC 60529	
Ambient conditions		
Ambient temperature	-20 ... 60 °C (253 ... 333 K)	
Mechanical specifications		
Protection degree	IP20	
Mass	approx. 110 g	
Dimensions	20 x 118 x 115 mm (0.8 x 4.6 x 4.5 in)	
Data for application in conjunction with hazardous areas		
EC-Type Examination Certificate	BAS 01 ATEX 7256 , for additional certificates see www.pepperl-fuchs.com	
Group, category, type of protection	⊕ II (1) G D [EEx ia] IIC (-20 °C ≤ T _{amb} ≤ 60 °C)	
Voltage U ₀	11 V	
Current I ₀	33 mA	
Power P ₀	90 mW	
Supply		
Safety maximum voltage U _m	250 V (Attention! The rated voltage can be lower.)	
Type of protection [EEx ia]		
Explosion group	IIA	IIB IIC
External capacitance	60 μF	13.8 μF 1.97 μF
External inductance	251 mH	121 mH 32 mH

Release date 2006-03-01 15:14 Date of issue 2006-03-01 112879_ENG.xml

Technical data		KFD2-UT-Ex1		
Internal capacitance	0 μ F			
Internal inductance	0 mH			
Output				
Safety maximum voltage U_m	250 V (Attention! The rated voltage can be lower.)			
Statement of conformity	TÜV 02 ATEX 1797 X (observe statement of conformity)			
Group, category, type of protection, temperature classification	⊕ II 3 G EEx nA II T4			
Electrical isolation				
Input/output	safe electrical isolation acc. to EN 50020, voltage peak value 375 V			
Input/power supply	safe electrical isolation acc. to EN 50020, voltage peak value 375 V			
Directive conformity				
Directive 94/9 EC	EN 50014, EN 50020, EN 50021			
Entity parameter				
Certification number	4Z6A5.AX			
FM control drawing	No. 116-0129			
Suitable for installation in division 2	yes			
Connection	terminals 1, 2, 3, 4			
Input I				
Voltage V_{OC}	11.6 V			
Current I_t	30.9 mA			
Explosion group	A&B	C&E	D, F&G	
Max. external capacitance C_a	1.83 μ F	5.48 μ F	14.61 μ F	
Max. external inductance L_a	35.9 mH	128.2 mH	307.1 mH	
Safety parameter				
CSA control drawing	LR 65756-13			
Control drawing	No. 116-0132			
Connection	terminals 1, 2, 3, 4, 5			
Input I				
Voltage V_{OC}	10.5 V			
Explosion group	A&B	C&E	D, F&G	
Max. external capacitance C_a	2.6 μ F	8 μ F	21 μ F	
Max. external inductance L_a	45 mH	160 mH	387 mH	

Supplementary information

EC-Type Examination Certificate, Statement of Conformity, Declaration of Conformity and instructions have to be observed. For information see www.pepperl-fuchs.com.

Accessories

Power Rail PR-03

Power Rail UPR-03

Power feed module KFD2-EB2...

Using Power Rail PR-03 or UPR-03 the devices are supplied with 24 V DC by means of the power feed modules. If no Power Rails are used, power supply of the individual devices is possible directly via their device terminals.

Each power feed module is used for fusing and monitoring groups with up to 100 individual devices. The Power Rail PR-03 is an inset component for the DIN rail. The Power Rail UPR-03 is a complete unit consisting of the electrical inset and an aluminium profile rail 35 mm x 15 mm x 2000 mm. To make electrical contact, the devices are simply engaged.

The Power Rail must not be fed via the device terminals of the individual devices!

K-CJC

Removable terminals with integrated temperature measurement sensor for cold junction compensation for thermocouples.

PACT^{ware}™

Device-specific drivers (DTM)

Adapter K-ADP1

Interface adapter for connection with the RS 232 serial interface of a PC/Notebook



SCATTERGOOD & JOHNSON LTD

ELECTRICAL ENGINEERING & FLUID CONTROL DISTRIBUTORS

Est.1899

At Scattergood & Johnson Ltd, we pride ourselves on being a technical distributor to specialist industries.

Working with a range of quality product suppliers across a number of specialist markets, we are not your average 'box shifter' - we are your technical and supply chain partner.

We fully support every product we sell - for free! Our internal team and external sales engineers can answer any product or application question, no matter the complexity.

Backing up this technical ability is a range of 50,000+ products available from stock for nationwide next day delivery (same day if required!), or you can collect what you need from any of our trade counters around the UK.

Select your specialist interest below to learn more about how we can help.



Online, In Branch and On the Road - Scattergood & Johnson Ltd, there when you need us.

www.scatts.co.uk