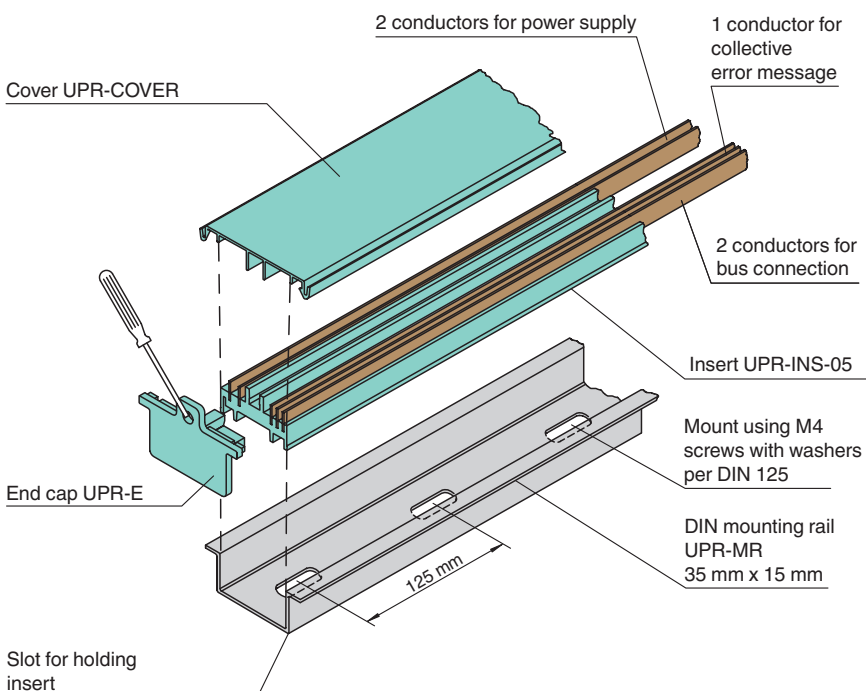


Universal Power Rail with end caps and cover, 5 conductors, length: 2 m

Features

- 35 mm DIN mounting rail with 5-conductor insert
- Provides DC supply voltage and the bus connection to all equipped K-System modules
- Standard length 2 m (6 foot), simple to customize to application space
- Eliminates daisy-chains

Dimensions



Technical data

Electrical specifications		
Rated voltage	U_r	24 V DC
Rated current	I_r	4 A
Ambient conditions		
Ambient temperature		-20 ... 60 °C (-4 ... 140 °F)
Mechanical specifications		
Connection		5 conductors
Supply		2 Conductors
Fault output		1 Conductors
Bus		2 Conductors
Dimensions		35 x 15 x 2000 mm (1.4 x 0.6 x 78.7 inch)
General information		
Scope of delivery		- DIN mounting rail UPR-MR - insert UPR-INS-05 - cover UPR-COVER - end cap UPR-E
Accessories		
Optional accessories		- end cap UPR-E - insulation spacer UPR-I - DIN mounting rail UPR-MR - insert UPR-INS-05 - cover UPR-COVER

Function

The Power Rail consists of a DIN mounting rail UPR-MR and a insert UPR-INS-05. The component has two conductors for power, one conductor for collective error messaging, and two conductors for bus connections.

The component reduces wiring and maintenance costs because it eliminates the need to daisy-chain the wires. It also simplifies expansion – just snap in a new isolator when you're ready to expand a system.

The component comes in 2 m segments but can be cut to any size.

The Power Rail is delivered with two UPR-E end caps and UPR-COVER cover. All components of the Power Rail can be ordered separately.

In conjunction with K-System modules the component can be mounted in Zone 2.

Release date 2019-01-08 16:52 Date of issue 2019-01-08 038005_eng.xml



Cover empty, open segments of the Power Rail. Use the supplied cover. Thereby Power Rail will be protected from pollution. The contact with electrically conductive parts on Power Rail will be prevented.



SCATTERGOOD & JOHNSON LTD

ELECTRICAL ENGINEERING & FLUID CONTROL DISTRIBUTORS

Est.1899

At Scattergood & Johnson Ltd, we pride ourselves on being a technical distributor to specialist industries.

Working with a range of quality product suppliers across a number of specialist markets, we are not your average 'box shifter' - we are your technical and supply chain partner.

We fully support every product we sell - for free! Our internal team and external sales engineers can answer any product or application question, no matter the complexity.

Backing up this technical ability is a range of 50,000+ products available from stock for nationwide next day delivery (same day if required!), or you can collect what you need from any of our trade counters around the UK.

Select your specialist interest below to learn more about how we can help.



Online, In Branch and On the Road - Scattergood & Johnson Ltd, there when you need us.

www.scatts.co.uk