



**Model Number**

**UB250-F77-E3-V31**

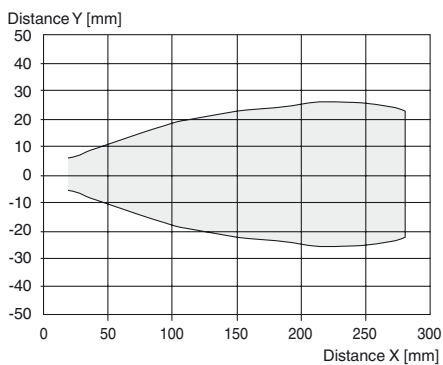
Ultrasonic direct detection sensor

**Features**

- **Miniature design**
- **Program input**
- **Degree of protection IP67**
- **Switching status indicator, yellow LED**

**Diagrams**

**Characteristic response curve**



**Technical data**

**General specifications**

Sensing range	20 ... 250 mm
Adjustment range	45 ... 250 mm
Dead band	0 ... 20 mm
Standard target plate	20 mm x 20 mm
Transducer frequency	approx. 400 kHz

**Nominal ratings**

Time delay before availability $t_v$	≤ 150 ms
--------------------------------------	----------

**Limit data**

Permissible cable length	max. 300 m
--------------------------	------------

**Indicators/operating means**

LED yellow	switching state and flashing: Teach-In
------------	--

**Electrical specifications**

Rated operating voltage $U_e$	24 V DC
Operating voltage $U_B$	20 ... 30 V DC , ripple 10 % <sub>SS</sub> ; 12 ... 20 V DC sensitivity reduced to 90 %
No-load supply current $I_0$	≤ 20 mA

**Input**

Input type	1 program input
Level	low level : 0 ... 0.7 V (Teach-In active) high level : $U_B$ or open input (Teach-In inactive)
Input impedance	16 kΩ
Pulse length	≥ 3 s

**Output**

Output type	1 switch output PNP , NC contact
Rated operating current $I_e$	200 mA , short-circuit/overload protected
Voltage drop $U_d$	≤ 2 V
Switch-on delay $t_{on}$	≤ 50 ms
Repeat accuracy	± 1 mm
Switching frequency $f$	10 Hz
Range hysteresis $H$	typ. 2.5 mm
Off-state current $I_r$	≤ 0.01 mA
Temperature influence	+ 0.17 %/K

**Ambient conditions**

Ambient temperature	-25 ... 70 °C (-13 ... 158 °F)
Storage temperature	-40 ... 85 °C (-40 ... 185 °F)
Shock resistance	30 g , 11 ms period
Vibration resistance	10 ... 55 Hz , Amplitude ± 1 mm

**Mechanical specifications**

Connection type	M8 x 1 connector , 4-pin
Degree of protection	IP67
Material	
Housing	Polycarbonate
Transducer	epoxy resin/hollow glass sphere mixture; polyurethane foam
Installation position	any position
Mass	10 g
Tightening torque, fastening screws	max. 0.2 Nm

**Compliance with standards and directives**

Standard conformity	
Standards	EN 60947-5-2:2007+A1:2012 IEC 60947-5-2:2007 + A1:2012

**Approvals and certificates**

UL approval	cULus Listed, General Purpose
CCC approval	CCC approval / marking not required for products rated ≤36 V

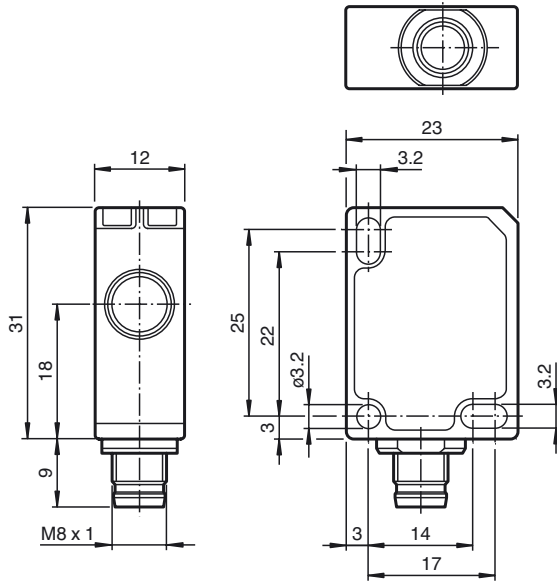
**Safety Note**



The use of this device in applications, where the safety of persons depends from the devices function, is not allowed!

Release date: 2019-06-04 10:18 Date of issue: 2019-06-04 233257\_eng.xml

**Dimensions**



**Description of Sensor Function**

The ultrasonic sensor transmits ultrasonic packets in quick succession and responds to their reflection off the detected object. The sensor has a switch output. The switching point is programmable (Teach-In). Objects beyond the taught-in switching point are not detected (background suppression).

**Teach-In of Switching Point SP**

To teach in a switching point, proceed as follows:

1. Connect the sensor and turn on the operating voltage.
2. Place the object to be detected at the required distance.
3. Connect the teach-in input (ET) to  $-U_B$ . This can be done using the pushbutton or the controller.  
The LED will start flashing after 3 seconds to indicate that the sensor is ready to start the teach-in process (\*).
4. Disconnect the teach-in input (ET) with  $-U_B$ . The switching point SP has now been taught in (\*).

(\*) If no object is detected within the sensing range of the sensor, the sensor will start flashing at a faster rate. The switching point remains unchanged.

**Switching characteristics and display LED**

unusable area	Sensing range		Output	LED
	Adjustment range			
		●	$+U_B$	On
	●		$-U_B$	Off
●			Undefined	

● = Object position

**Safety Note**



The use of this device in applications, where the safety of persons depends from the devices function, is not allowed!

Release date: 2019-06-04 10:18 Date of issue: 2019-06-04 233257\_eng.xml



# SCATTERGOOD & JOHNSON LTD

ELECTRICAL ENGINEERING & FLUID CONTROL DISTRIBUTORS

Est.1899

At Scattergood & Johnson Ltd, we pride ourselves on being a technical distributor to specialist industries.

Working with a range of quality product suppliers across a number of specialist markets, we are not your average 'box shifter' - we are your technical and supply chain partner.

We fully support every product we sell - for free! Our internal team and external sales engineers can answer any product or application question, no matter the complexity.

Backing up this technical ability is a range of 50,000+ products available from stock for nationwide next day delivery (same day if required!), or you can collect what you need from any of our trade counters around the UK.

Select your specialist interest below to learn more about how we can help.



Online, In Branch and On the Road - Scattergood & Johnson Ltd, there when you need us.

# [www.scatts.co.uk](http://www.scatts.co.uk)