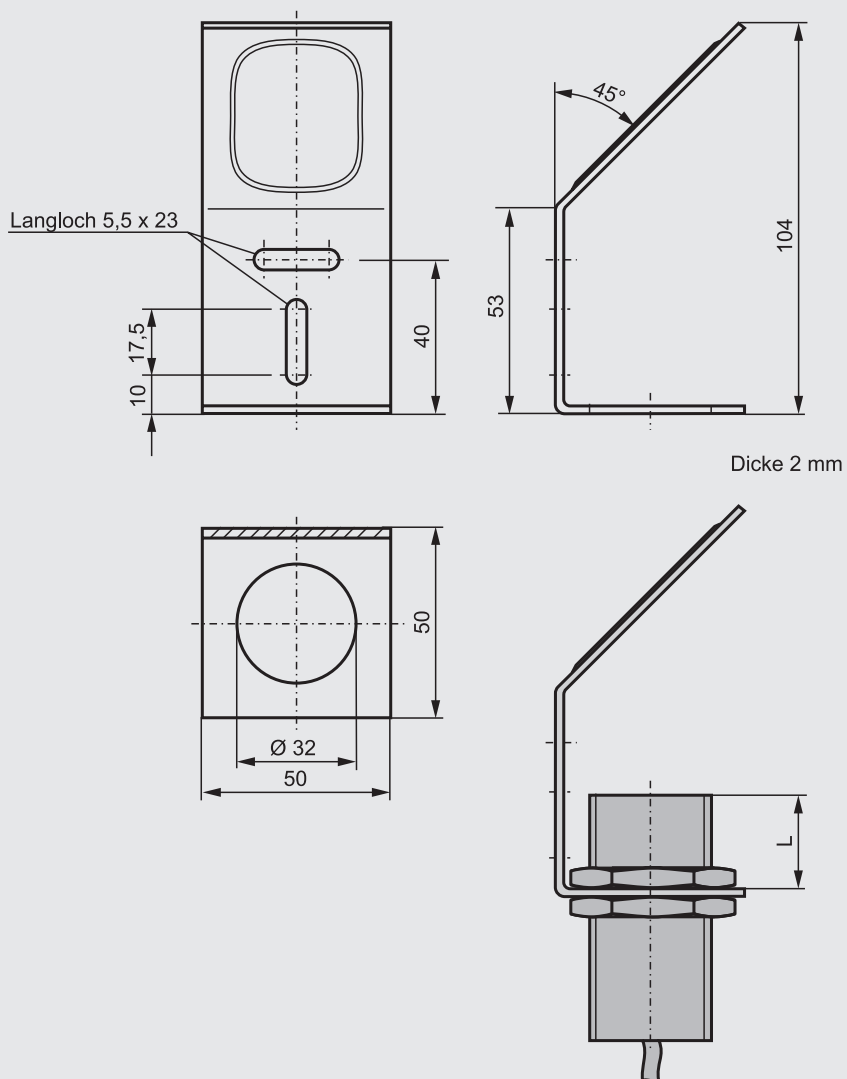


**Vorsatzwinkel UVW90-M30**

Fokussierender Vorsatzwinkel und Montagehilfe aus Edelstahl für Ultraschall-Sensoren bis 2000 mm Reichweite in 30GM-Gehäuse.

- Umlenkung des Ultraschalls um 90°
- Fokussierung der Schallkeule
- Reichweitenerhöhung (durch Fokussierung)
  - ca. 40 % bei UB/UC500 (mit Maß L = 10 mm)
  - ca. 20 % bei UB/UC2000 (mit Maß L = 20 mm)

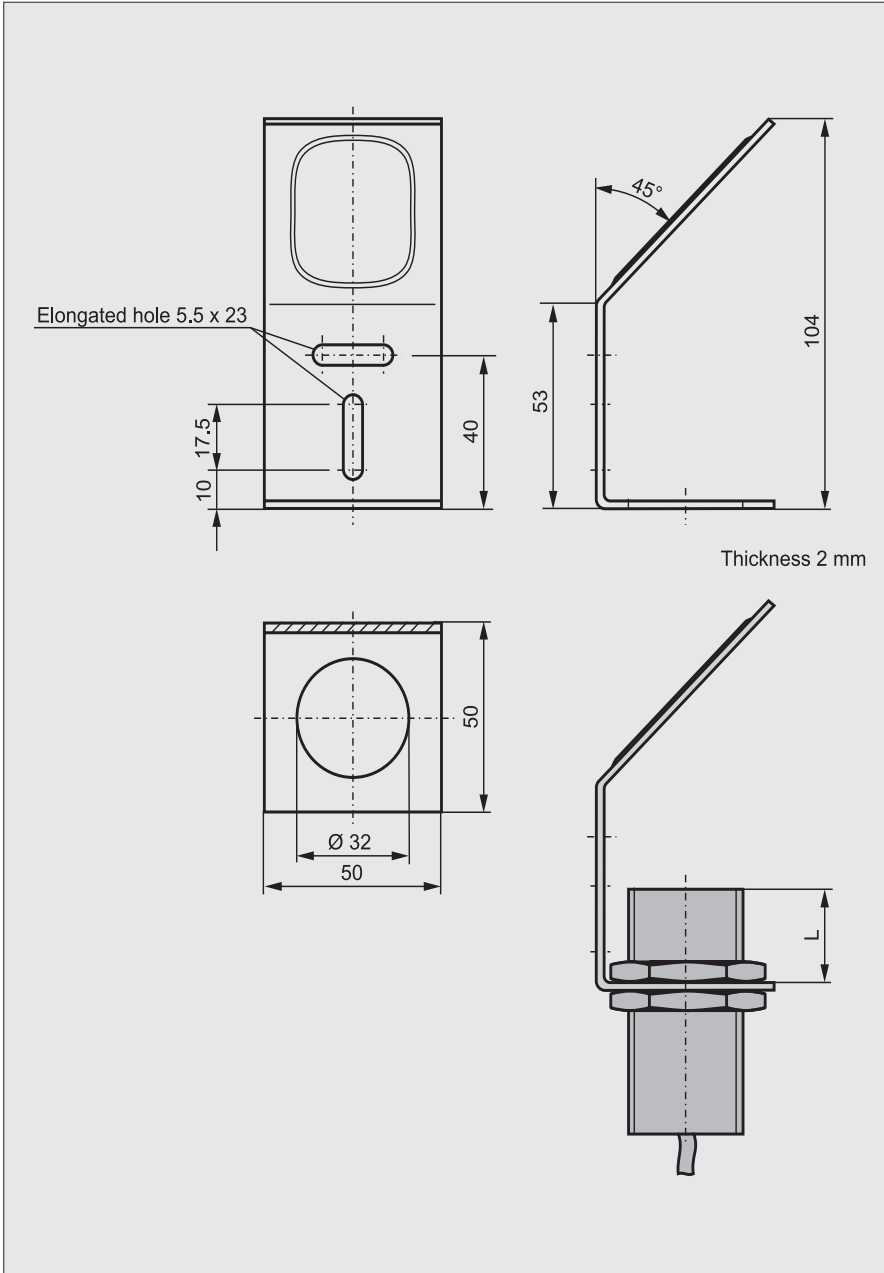


# Angled Support Bracket UVW90-M30

## Angled support bracket UVW90-M30

Focussing support bracket and installation accessory in stainless steel, for ultrasonic sensors with up to 2000 mm range, in 30GM housing.

- Rotation of the ultrasonics through 90°
- Focussing of the sonic beam
- Range extension (by focussing)
  - approx. 40 % for UB/UC500 (with dimension L = 10 mm)
  - approx. 20 % for UB/UC2000 (with dimension L = 20 mm)



Part No. 54 829 01/99 00



# SCATTERGOOD & JOHNSON LTD

ELECTRICAL ENGINEERING & FLUID CONTROL DISTRIBUTORS

Est.1899

At Scattergood & Johnson Ltd, we pride ourselves on being a technical distributor to specialist industries.

Working with a range of quality product suppliers across a number of specialist markets, we are not your average 'box shifter' - we are your technical and supply chain partner.

We fully support every product we sell - for free! Our internal team and external sales engineers can answer any product or application question, no matter the complexity.

Backing up this technical ability is a range of 50,000+ products available from stock for nationwide next day delivery (same day if required!), or you can collect what you need from any of our trade counters around the UK.

Select your specialist interest below to learn more about how we can help.



Online, In Branch and On the Road - Scattergood & Johnson Ltd, there when you need us.

# [www.scatts.co.uk](http://www.scatts.co.uk)