



Model number

VAA-2E1A-F85A-S-V1

AS-Interface EMERGENCY STOP button

Features

- 2-channel, compelled connected
- Outwit-proof according to ISO 13850/EN 418
- Integrated illumination in the actuator
- TÜV-approval for system components is available
- Biased actuator for self-monitoring
- EMERGENCY STOP unlocking by turning or pulling
- M12 plug connection

Function

This AS-Interface emergency shutoff button is a two-channel, positively driven contact, allowing the operation of personnel protection systems when used according to specification along with an AS-Interface safety monitor. It occupies one complete address in the AS-Interface strand.

When the safety monitor is properly configured, up to EN 954-1 Category 4 and IEC 61508 SIL 3 can be achieved.

For mounting, the housing of this AS-Interface emergency shutoff button can be screwed directly onto the machine. The button can be illuminated in red.

Accessories

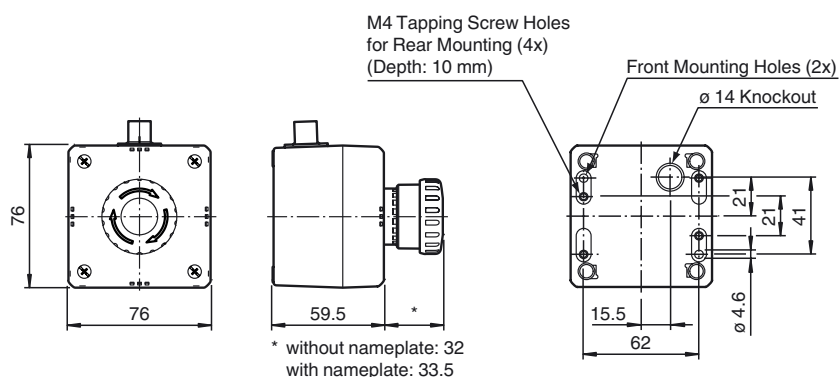
VAZ-F85A-SH

Actuating protection for emergency off button

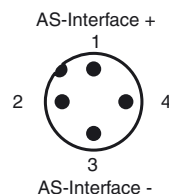
VAZ-F85A-MH

Mounting aid for EMERGENCY STOP button

Dimensions



Electrical connection



Technical data

General specifications

Slave type	Safety-Slave
AS-Interface specification	V2.1
Required master specification	≥ V2.0
UL File Number	E198304

Functional safety related parameters

MTTF _d	200 a
B _{10d}	1 E+5

Electrical specifications

Rated operating voltage	U _e	26.5 ... 31.6 V from AS-Interface
Rated operating current	I _e	≤ 40 mA
Protection class		III
Insulation resistance		≥ 100 MΩ

Input

Number/Type	2 NC Safety function by positive opening in accordance with IEC/EN 60947-5-1 Reset by pulling
Supply	from AS-Interface

Output

Number/Type	LED red
Supply	from AS-Interface

Directive conformity

Electromagnetic compatibility	
Directive 2014/30/EU	EN 62026-2:2013

Standard conformity

Electromagnetic compatibility	EN 62026-2:2013
Degree of protection	EN 60529:2000
Electrical safety	EN 60947-5-5:1997+A1:2005
AS-Interface	EN 62026-2:2013
Functional safety	EN 62061:2005 EN 61508 Parts 1-7:2010 NFPA 79:2007 EN 60204-1:2006

Programming instructions

Profile	S-7.B.E.
IO code	7
ID code	B
ID1 code	F

ID2 code	E	
Data bits (function via AS-Interface)		
	input	output
D0	dyn. safety code 1	OUT 1
D1	dyn. safety code 1	-
D2	dyn. safety code 2	-
D3	dyn. safety code 2	-
Parameter bits (programmable via AS-i)		
	function	
P0	not used	
P1	not used	
P2	not used	
P3	not used	
Ambient conditions		
Ambient temperature	-25 ... 50 °C (-13 ... 122 °F) (no freezing)	
Storage temperature	-40 ... 70 °C (-40 ... 158 °F)	
Relative humidity	40 ... 85 % , noncondensing	
Mechanical specifications		
Operating force	Push: 32 N Pull: 21 N Turn: 0.27 Nm Minimum for positive opening operation: 60 Nm	
Operating distance	for positive opening operation: min. 4 mm maximal: 4.5 mm	
Degree of protection	IP65 Module: IP20	
Connection	M12 round connector	
Material		
Housing	PC	
Mass	195 g	
Life span	> 250,000 switching operations	



SCATTERGOOD & JOHNSON LTD

ELECTRICAL ENGINEERING & FLUID CONTROL DISTRIBUTORS

Est.1899

At Scattergood & Johnson Ltd, we pride ourselves on being a technical distributor to specialist industries.

Working with a range of quality product suppliers across a number of specialist markets, we are not your average 'box shifter' - we are your technical and supply chain partner.

We fully support every product we sell - for free! Our internal team and external sales engineers can answer any product or application question, no matter the complexity.

Backing up this technical ability is a range of 50,000+ products available from stock for nationwide next day delivery (same day if required!), or you can collect what you need from any of our trade counters around the UK.

Select your specialist interest below to learn more about how we can help.



Online, In Branch and On the Road - Scattergood & Johnson Ltd, there when you need us.

www.scatts.co.uk